

SEBASTIAN TUB FAUCET WITH VARIABLE CENTERS AND HAND SHOWER - LEVER HANDLES

SKU: 909039

Code: SH249085, SH249086, SH249087



FEATURES

Material: Metal construction for strength and durability

Installation Type: Tub Wall Mount

Flow Rate: 6.8 gpm (25.7 L/min) @ 80 psi

Hand Shower Flow Rate: 1.8 gpm (6.8 L/min) @ 80 psi

Spray Type: Full

Cartridge Type: Ceramic Disc

Swivel Spout: No

LISTED ID: SH441015*



ADDITIONAL FEATURES

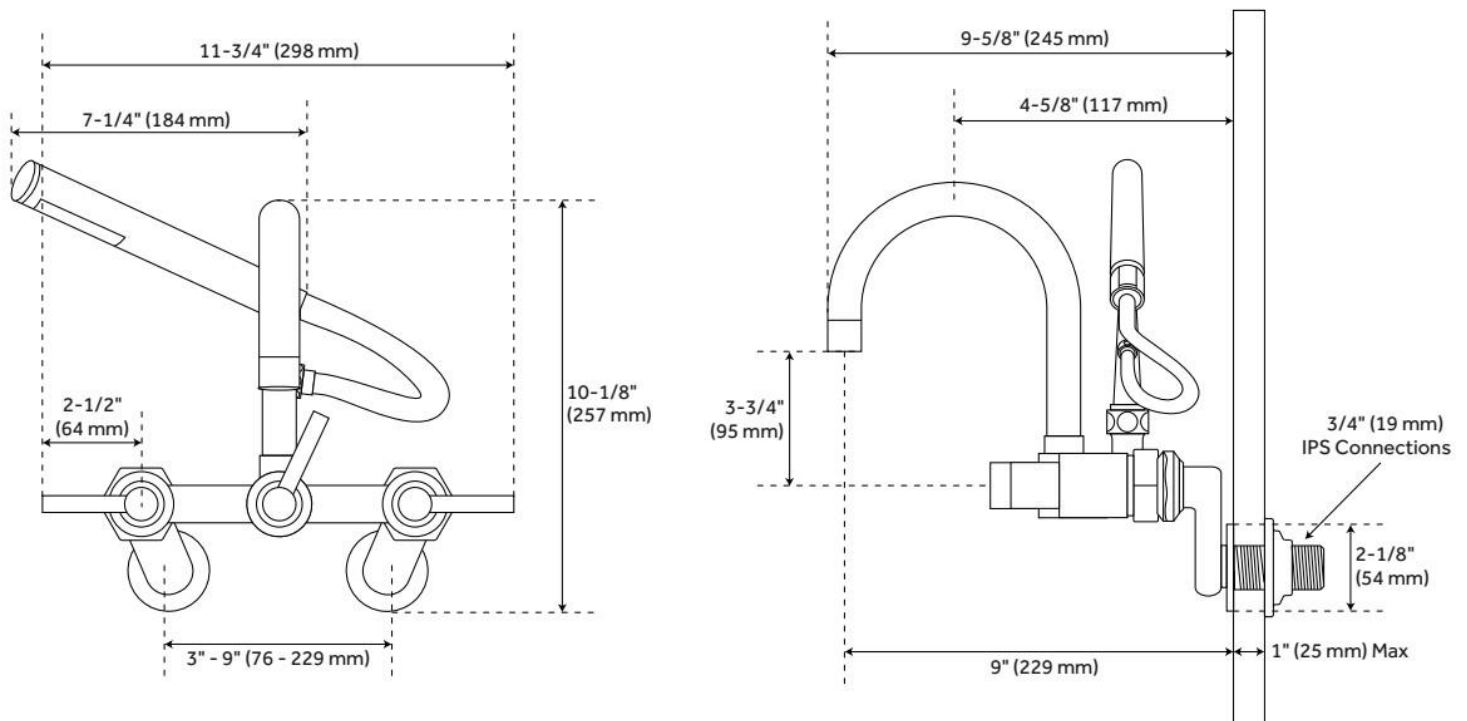
- Constructed with high quality materials.
- Hand shower wand measures 7-1/4" long.
- Contemporary metal lever handles.
- Faucet can be installed with variable centers from 3" - 9".

REVISED 5/14/2024

SEBASTIAN TUB FAUCET WITH VARIABLE CENTERS AND HAND SHOWER - LEVER HANDLES

SKU: 909039

Code: SH249085, SH249086, SH249087



REVISED 5/14/2024

SWING ARM COUPLER

SKU: 109097
Code: SH109097

FEATURES

Material: Brass

Installation Type: Tub Wall Mount



ASME A112.18.1/CSA B125.1, LISTED ID: SH441015*



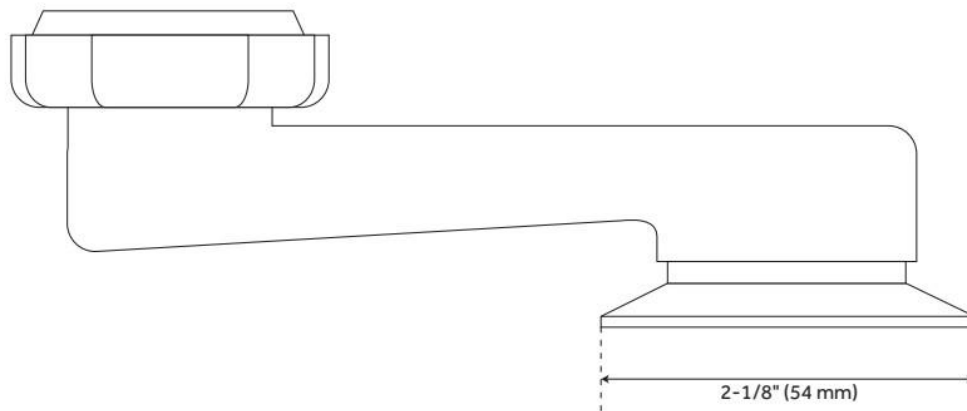
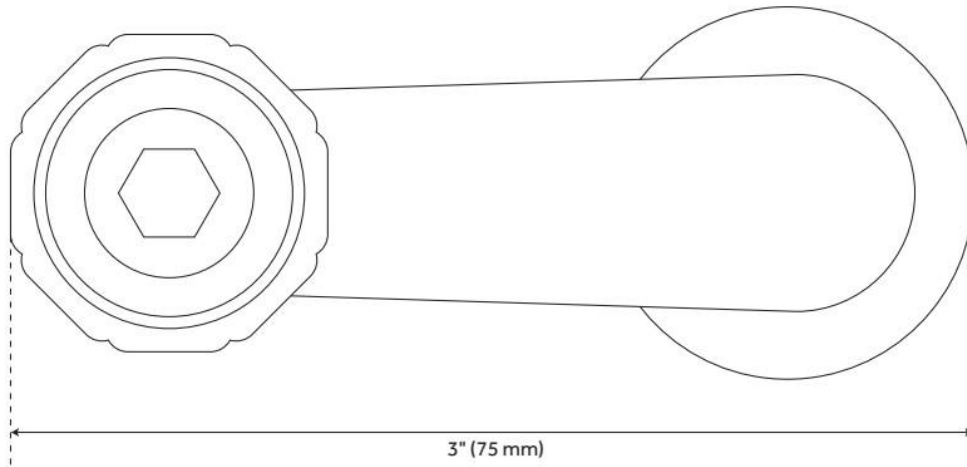
ADDITIONAL FEATURES

- Swing arms can be used to adapt most faucets to fit tubs drilled on 9" centers or less.
- Can also be used to install wall-mount faucets.
- Allow 4 1/2" centers if used as wall mount.
- Sold in pairs.
- 2-1/8" base.

REVISED 5/13/2024

SWING ARM COUPLER

SKU: 109097
Code: SH109097



REVISED 5/13/2024