

ISABEL SINGLE-HOLE GOOSENECK BAR FAUCET

SKU: 909999

Code: SH329310, SH484672, SH484070, SH484071, SH482587, SH482588



FEATURES

Material: Metal construction for strength and durability

Installation Type: Single-Hole

Flow Rate: 1.8 gpm (6.8 L/min) @ 60 psi

Cartridge Type: Ceramic Disc

Swivel Spout: Yes

ASME A112.18.1/CSA B125.1, NSF/ANSI 372, NSF/ANSI 61, NSF/ANSI/CAN 61, NSF/ANSI/CAN 61-9:Q≤1, CEC Listed, Massachusetts Accepted, LISTED ID: SH349718**



ADDITIONAL FEATURES

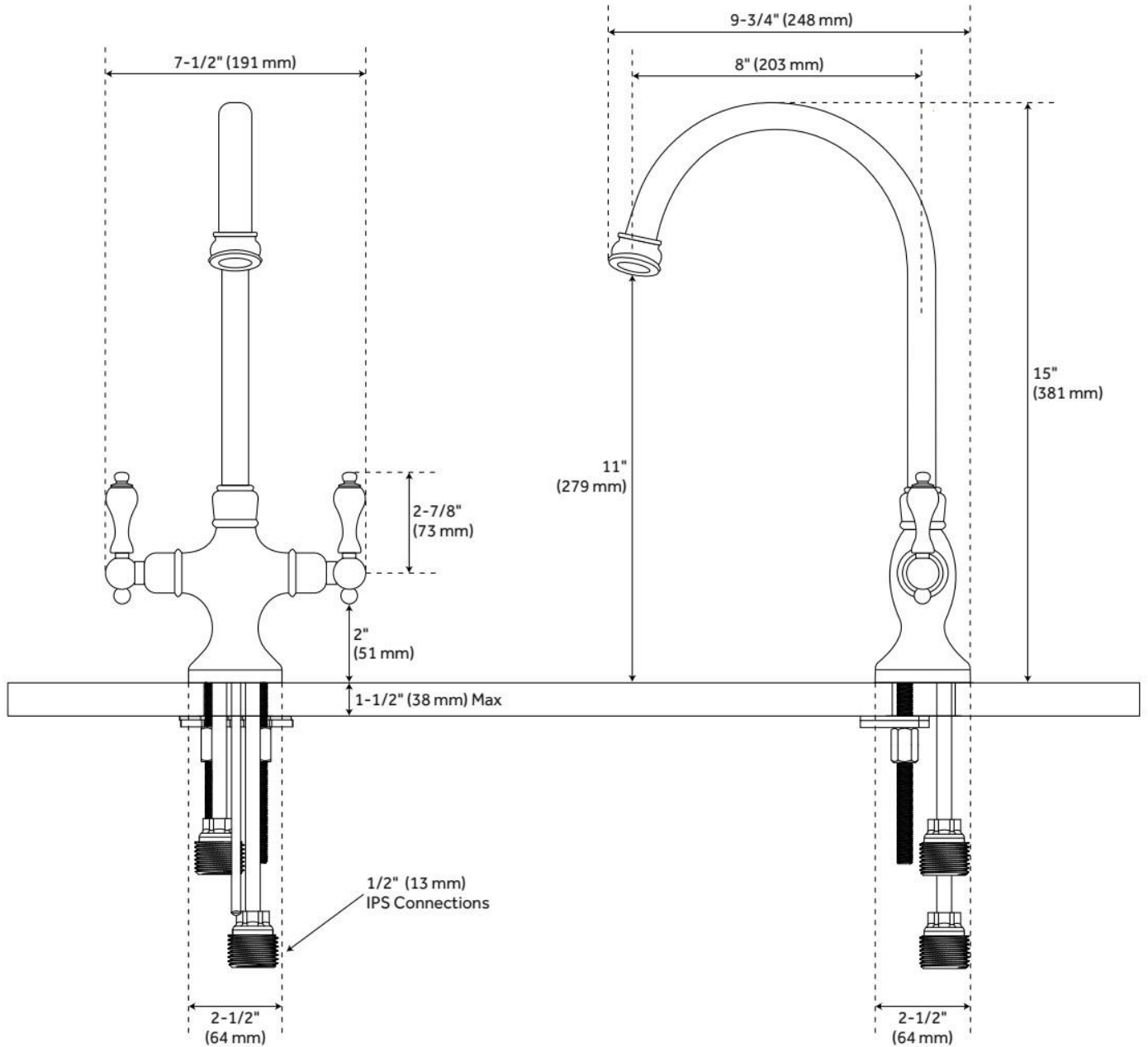
- Single-hole installation.
- Swivel spout.

REVISED 5/20/2024

ISABEL SINGLE-HOLE GOOSENECK BAR FAUCET

SKU: 909999

Code: SH329310, SH484672, SH484070, SH484071, SH482587, SH482588



REVISED 5/20/2024