

59" PAXTON COPPER SLIPPER PEDESTAL TUB

SKU: 911036-59

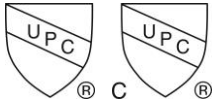
Code: SH474258, SH474259, SH474260, SH474261, SH474262, SH474263, SH474264, SH479977, SH441848



FEATURES

Design: Traditional
Product Finish: Antique Copper Patina
Length: 59"
Width: 31"
Height: 31"
Exterior Treatment: Hammered
Interior Treatment: Hammered
Metal Gauge/Thickness: 16 Gauge
Faucet Included: No
Shape: Oval
Water Depth to Rim: 18-3/4"
Tub Overflow: Optional
Tub Material: Copper
Tub Interior Length: 42-1/2"
Tub Interior Width: 19-1/2"
Tap Deck: No
Faucet Drillings: No Drillings
Tub Weight Uncrated (lbs): 100
Tub Weight Crated (lbs): 210

ASME A112.18.2/CSA B125.2
CSA B45.12/IAPMO Z402



REVISED 2/8/2023

59" PAXTON COPPER SLIPPER PEDESTAL TUB

SKU: 911036-59

Code: SH474258, SH474259, SH474260, SH474261, SH474262, SH474263, SH474264, SH479977, SH441848



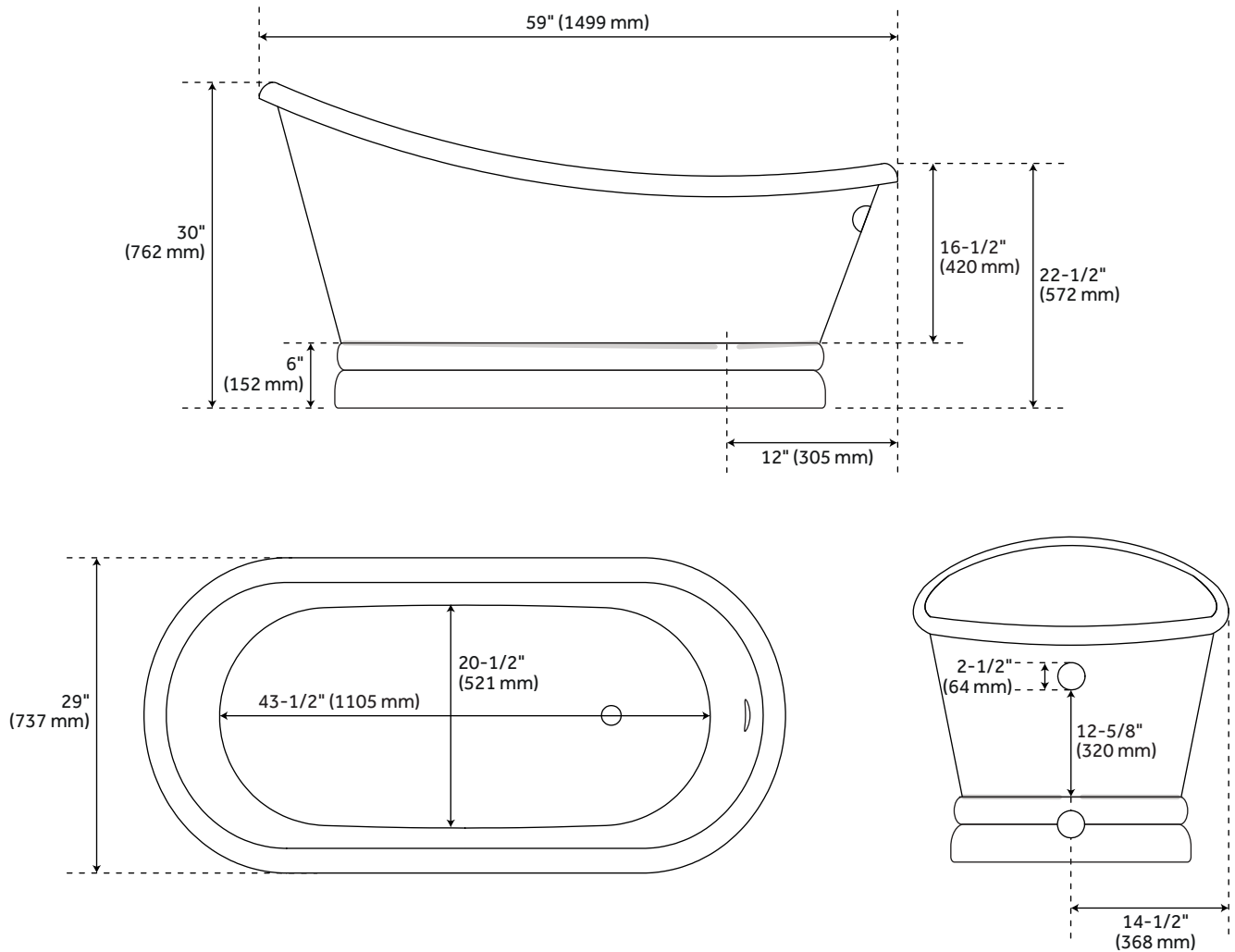
ADDITIONAL FEATURES

- Hand-polished finish.
- Patina applied using French hot process, so color is ingrained in the copper.
- Copper tubs are handmade and therefore unique. Expect slight variations in finish and dimensions ($\pm 1"$).
- Overflow option includes a Standard overflow which remains open to allow water into the drain.
- To keep the tub in premium condition, it is recommended to not use anything abrasive for bathing or cleaning, including products like Epsom salts, bristle brushes, and harsh soaps.
- Optional Quick Connect Drop-In Drain Kit Includes:
 - Floor Plate, 1-1/2" PVC Pipe, 2" x 1-1/2" Trap Adapters, 1 Brass Threaded, 1 Brass Unthreaded Tailpiece and Plug.
 - Installs above your subfloor, but underneath your cement floor or tile, so you do not need access below the fixture.

REVISED 2/8/2023

59" PAXTON COPPER SLIPPER PEDESTAL TUB

SKU: 911036-59



All dimensions and specifications are nominal and may vary. Use actual products for accuracy in critical situations.