

CORNER SOLID BRASS SHOWER CURTAIN ROD

SKU: 913110

Code: SH466797, SH482879, SH466798, SH482880, SH466799, SH482881, SH466800, SH482882, SH466801, SH466802, SH466803, SH466804, SH466805, SH466806, SH466807, SH466808, SH466809, SH466810, SH466811, SH466812



FEATURES

- Material: Brass
- Height: 37-1/4"
- Mounting Hardware Included: Yes
- Shower Rod Thickness: .6mm
- Installation Type: Ceiling Mount
- OD (Outside Diameter): 1"

REVISED 3/15/2023

CORNER SOLID BRASS SHOWER CURTAIN ROD

SKU: 913110

Code: SH466797, SH482879, SH466798, SH482880, SH466799, SH482881, SH466800, SH482882, SH466801, SH466802, SH466803, SH466804, SH466805, SH466806, SH466807, SH466808, SH466809, SH466810, SH466811, SH466812



ADDITIONAL FEATURES

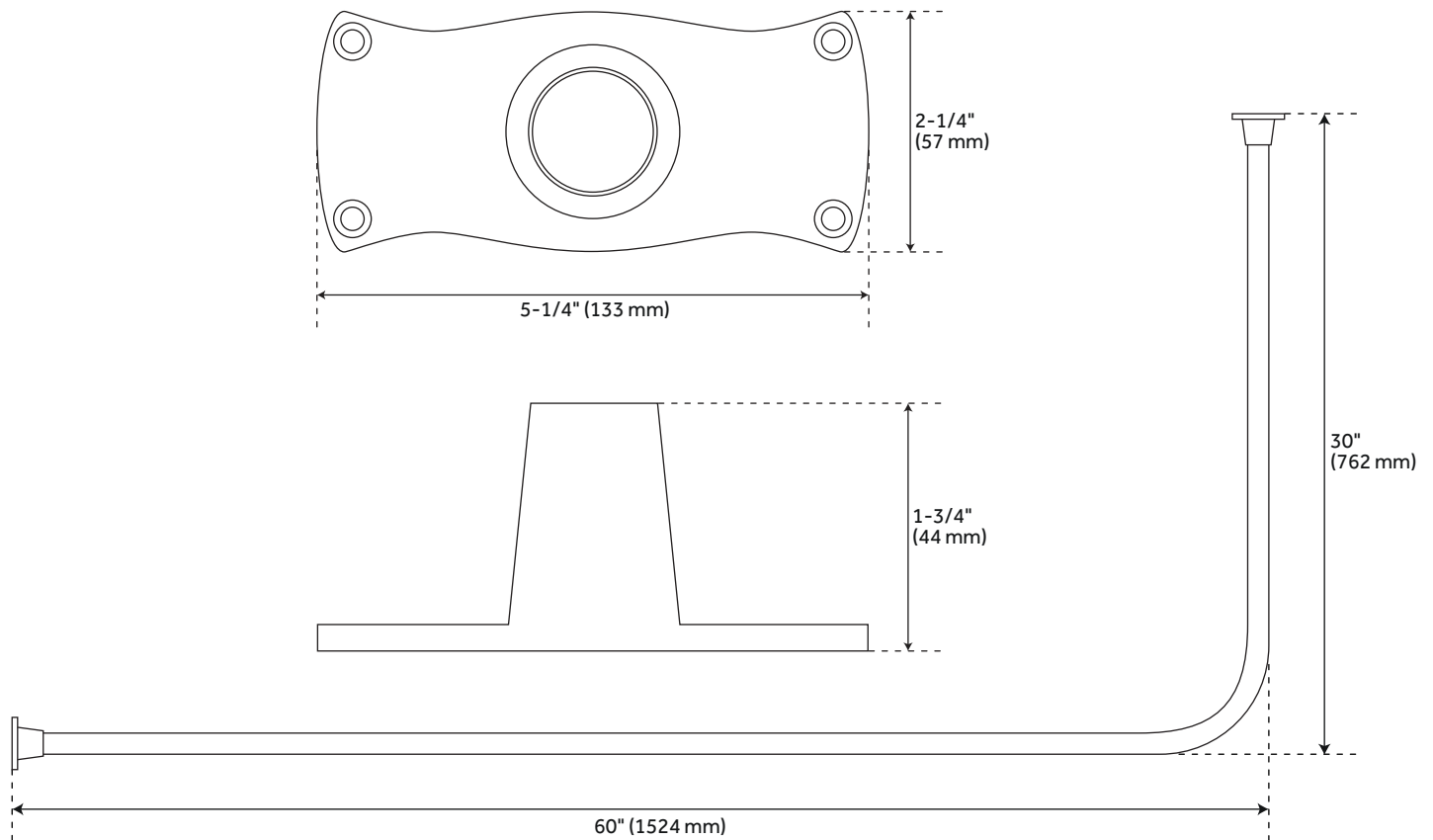
- Shower curtain rod ships in three pieces. Simple assembly required.
- Chrome, Polished Brass, Brushed Nickel and Oil Rubbed Bronze rods are plated over solid brass material.
- Includes one 36" ceiling support which may be cut to needed length.
- Brass rods include rectangular Jumbo Rod Flanges and mounting hardware.

REVISED 3/15/2023

30"X 60" CORNER SOLID BRASS SHOWER CURTAIN ROD

SKU: 913110

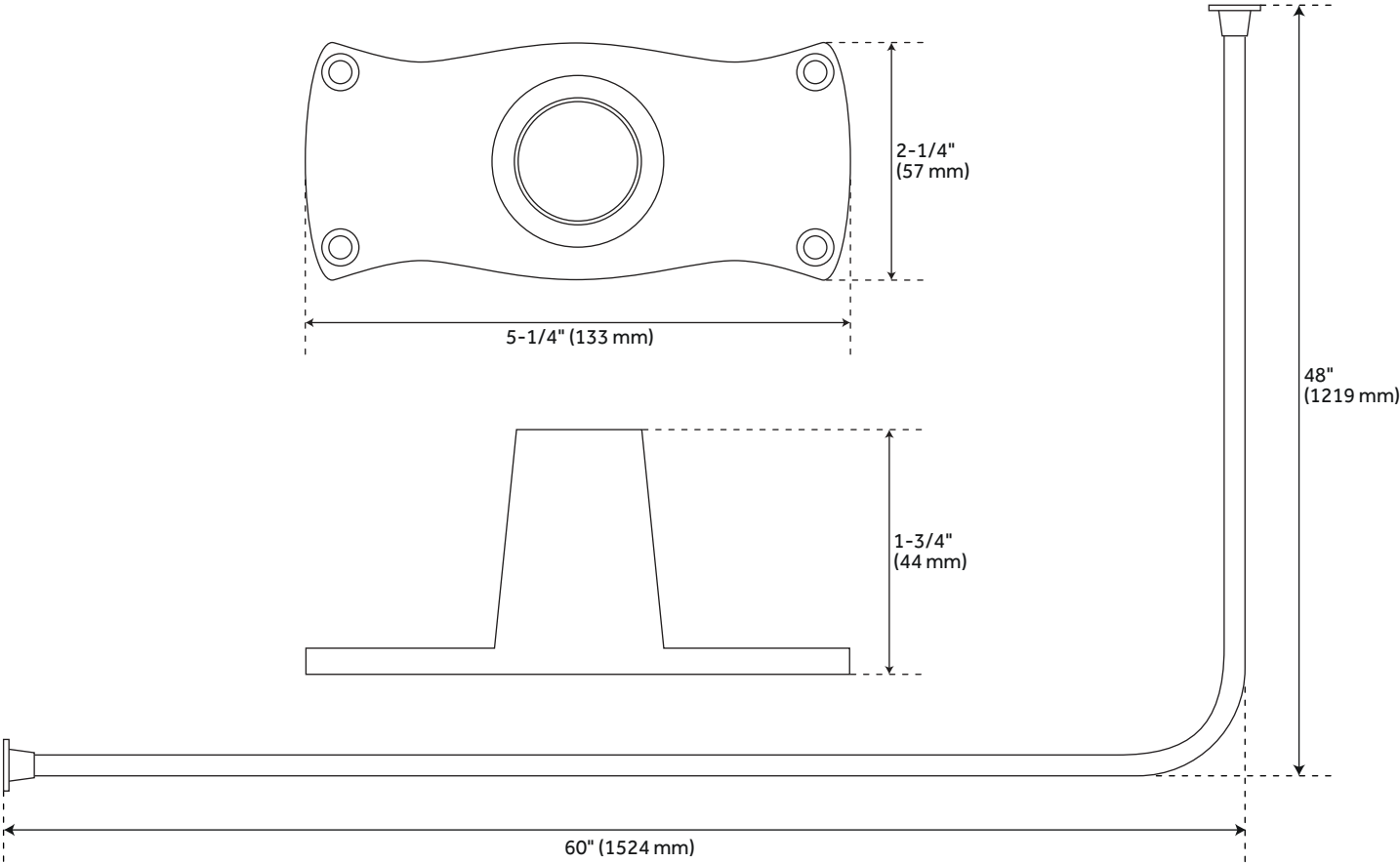
SH555016



All dimensions and specifications are nominal and may vary. Use actual products for accuracy in critical situations.

48"X 60" CORNER SOLID BRASS SHOWER CURTAIN ROD

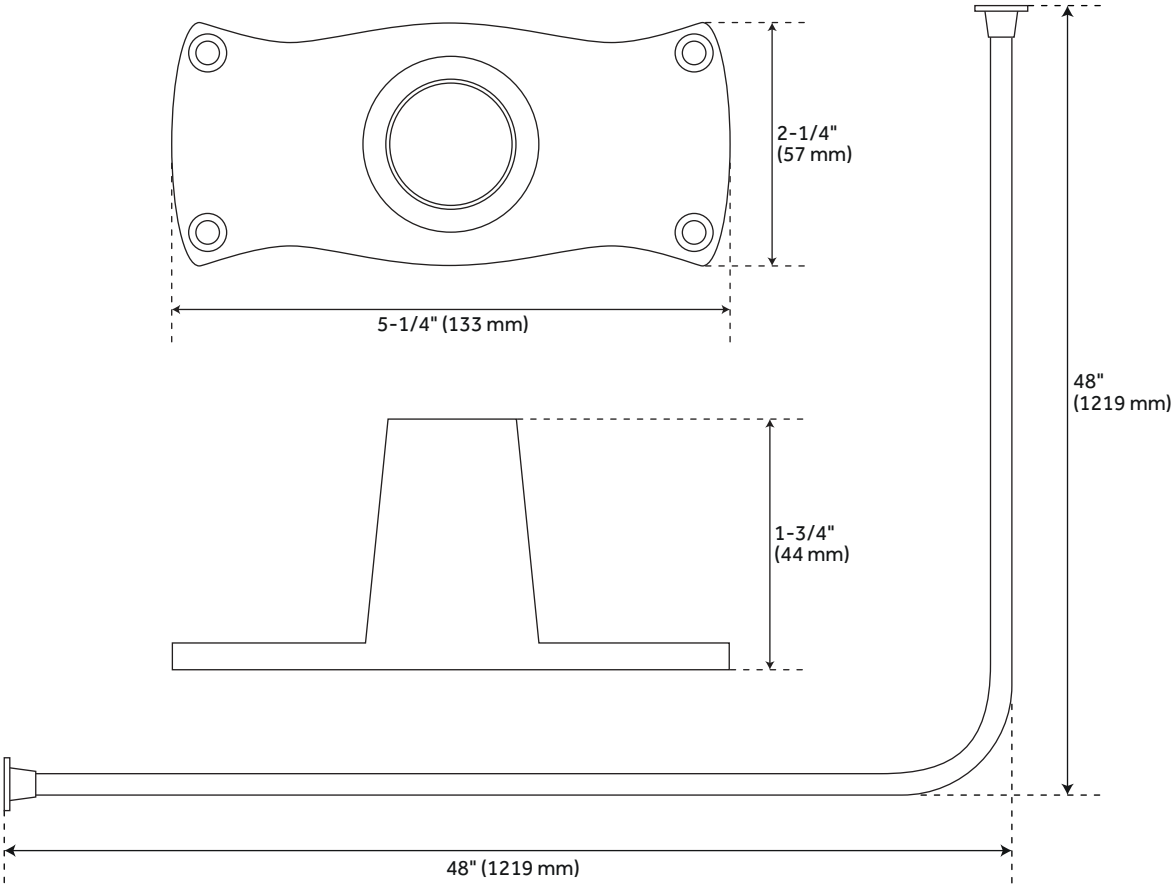
SKU: 913110
SH5550017



All dimensions and specifications are nominal and may vary. Use actual products for accuracy in critical situations.

48"X 48" CORNER SOLID BRASS SHOWER CURTAIN ROD

SKU: 913110
SH555018

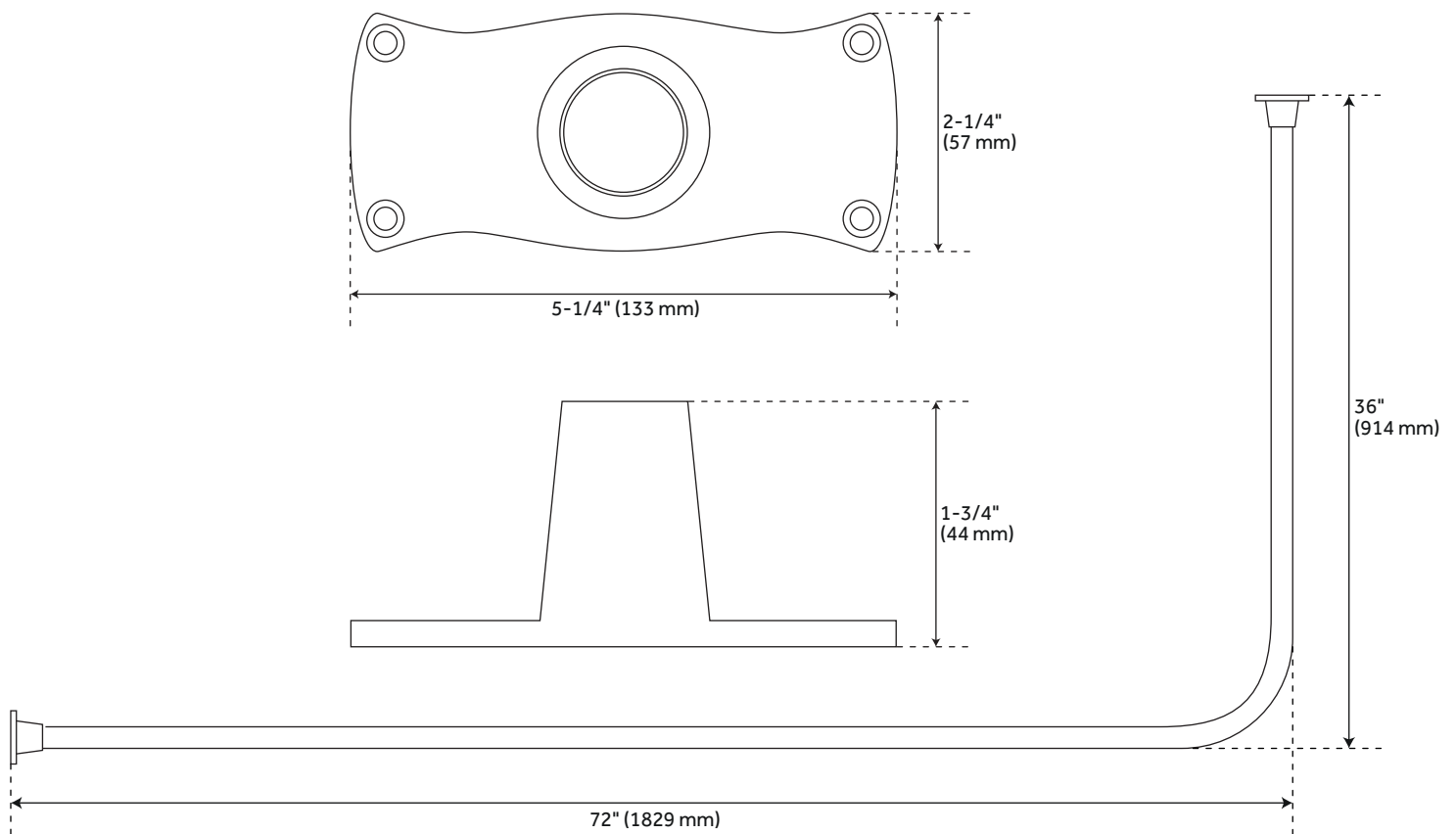


All dimensions and specifications are nominal and may vary. Use actual products for accuracy in critical situations.

72"X 36" CORNER SOLID BRASS SHOWER CURTAIN ROD

SKU: 913110

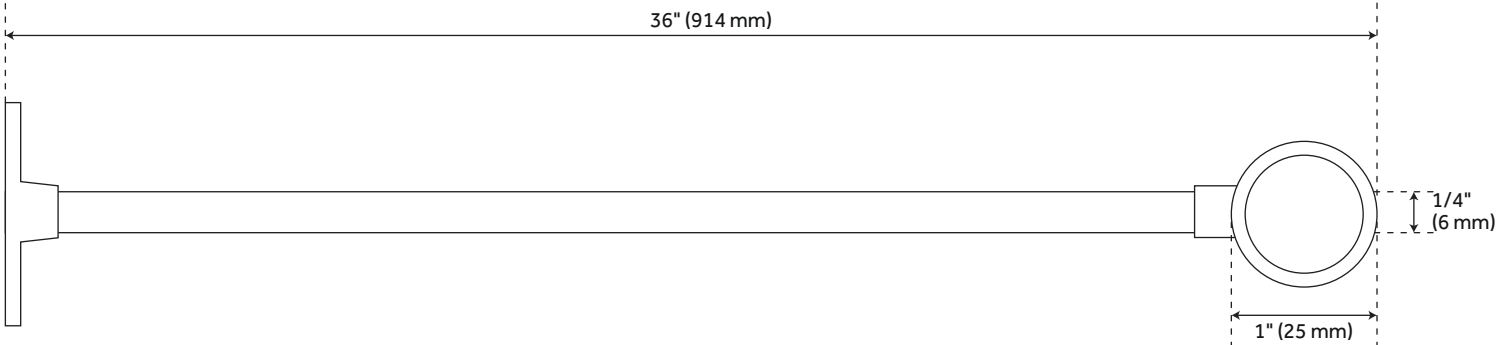
SH555019



All dimensions and specifications are nominal and may vary. Use actual products for accuracy in critical situations.

STANDARD SOLID STEEL SHOWER ROD CEILING SUPPORT

SKU: 913110
SH555024



All dimensions and specifications are nominal and may vary. Use actual products for accuracy in critical situations.