

HELENA WIDESPREAD KITCHEN FAUCET WITH SIDE SPRAY

SKU: 915133

Code: SH394337, SH394338, SH394336



FEATURES

Material: Metal construction for strength and durability

Installation Type: Widespread

Flow Rate: 1.8 gpm (6.8 L/min) @ 80 psi

Cartridge Type: Ceramic Disc

Swivel Spout: Yes

ASME A112.18.1/CSA B125.1, NSF/ANSI 61, NSF/ANSI/CAN 61, LISTED ID: 508764, 508765, SH349710**



ADDITIONAL FEATURES

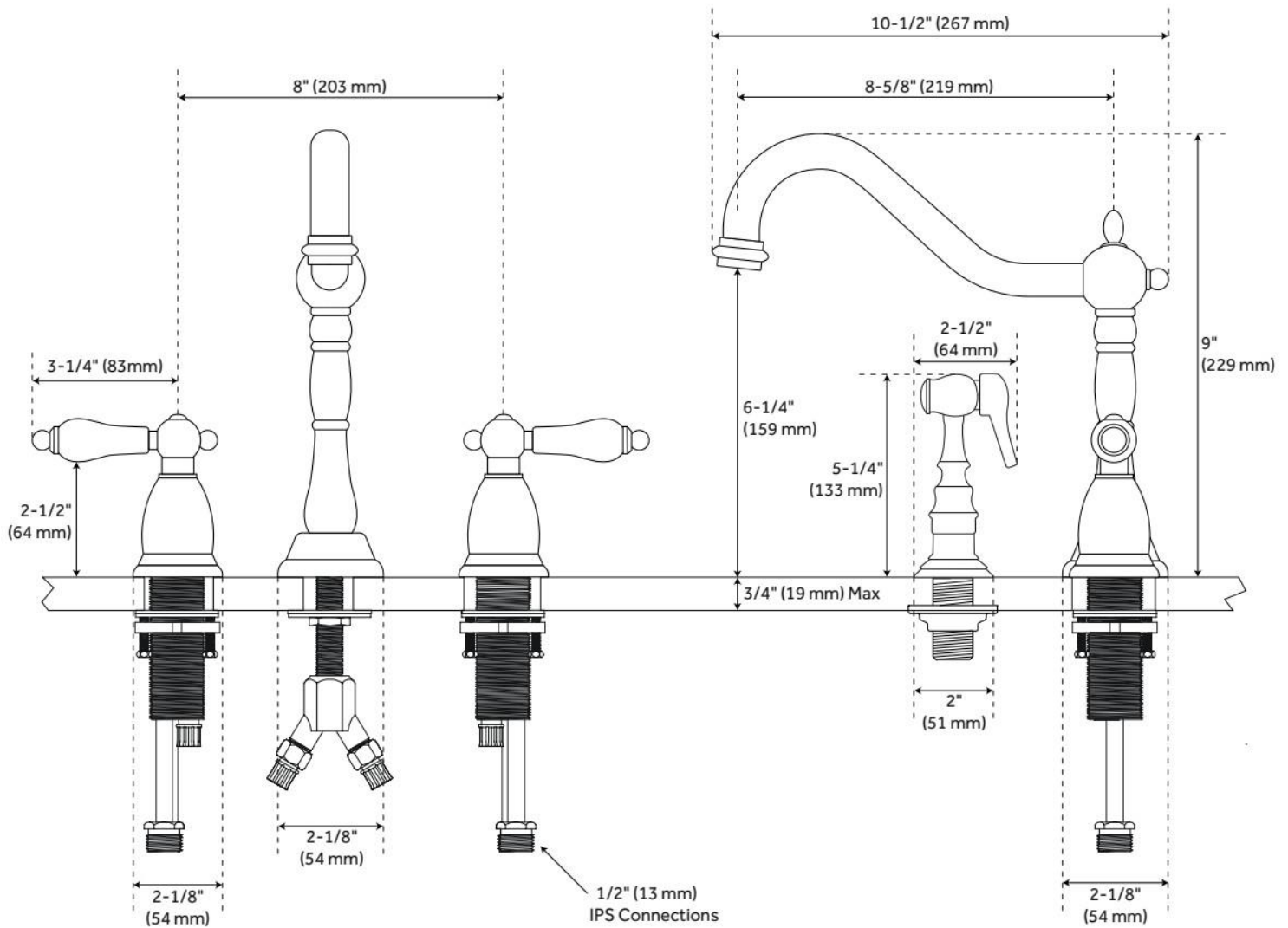
- Handspray measures: 2" L x 2-1/2" W (front to back) x 5-1/4" H.

REVISED 5/13/2024

HELENA WIDESPREAD KITCHEN FAUCET WITH SIDE SPRAY

SKU: 915133

Code: SH394337, SH394338, SH394336



REVISED 5/13/2024