

# ENGEL TEMPERED GLASS CORNER SHELF - THREE SHELVES

SKU: 916691

Code: SH296118, SH296119, SH296120



## FEATURES

Installation Type: Wall Mount

Features: Corner

Design: Modern

Material: Glass

Width: 11"

Height: 22-1/4"

Depth: 8"

Mounting Hardware Included: Yes

Assembly Required: Yes

Number of Shelves: 3

REVISED 4/3/2023

# ENGEL TEMPERED GLASS CORNER SHELF - THREE SHELVES

SKU: 916691

Code: SH296118, SH296119, SH296120



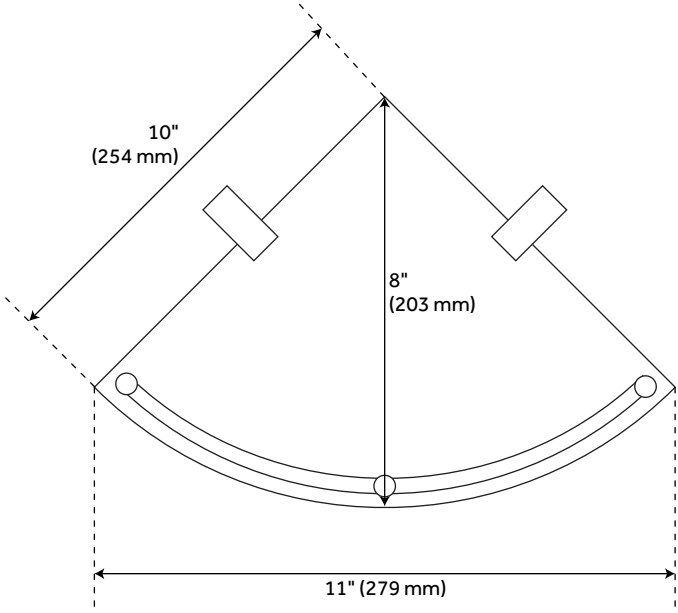
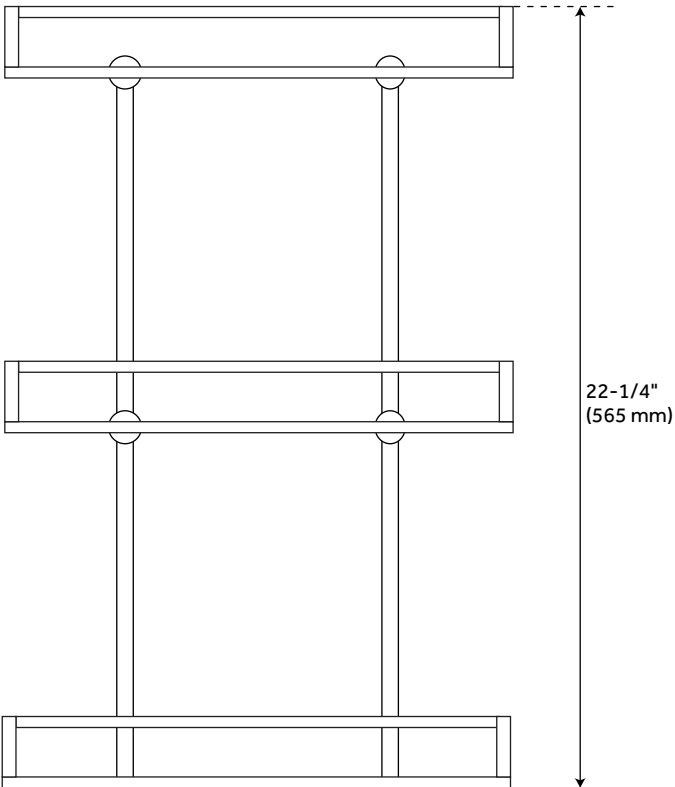
## ADDITIONAL FEATURES

- Tempered glass shelf with solid brass brackets.
- Extends 8" from corner.
- Tempered glass is 1/4" thick.
- Mounting hardware included.

REVISED 4/3/2023

# ENGEL TEMPERED GLASS CORNER SHELF - THREE SHELVES

SKU: 916691



All dimensions and specifications are nominal and may vary. Use actual products for accuracy in critical situations.