

ENGEL TEMPERED GLASS CORNER SHELF - TWO SHELVES

SKU: 916692

Code: SH296094, SH296095, SH296098, SH296099



FEATURES

Installation Type: Wall Mount

Features: Corner

Design: Modern

Material: Glass

Depth: 8"

Mounting Hardware Included: Yes

Assembly Required: Yes

Number of Shelves: 2

REVISED 4/3/2023

ENGEL TEMPERED GLASS CORNER SHELF - TWO SHELVES

SKU: 916692

Code: SH296094, SH296095, SH296098, SH296099



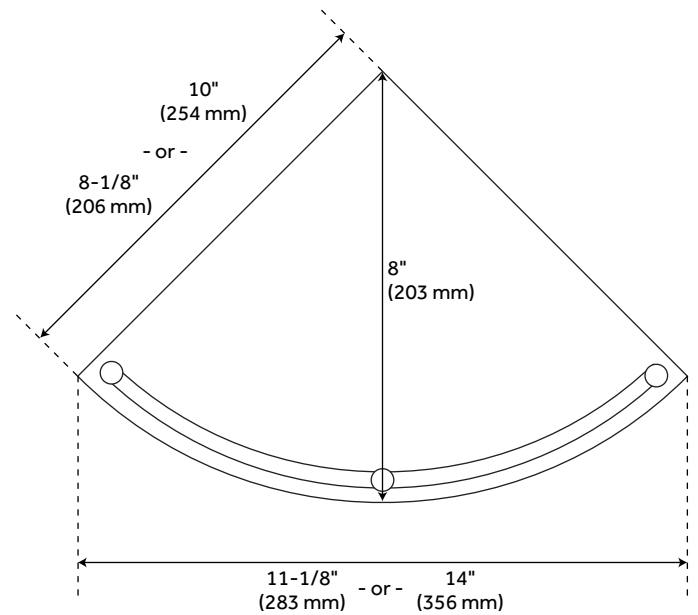
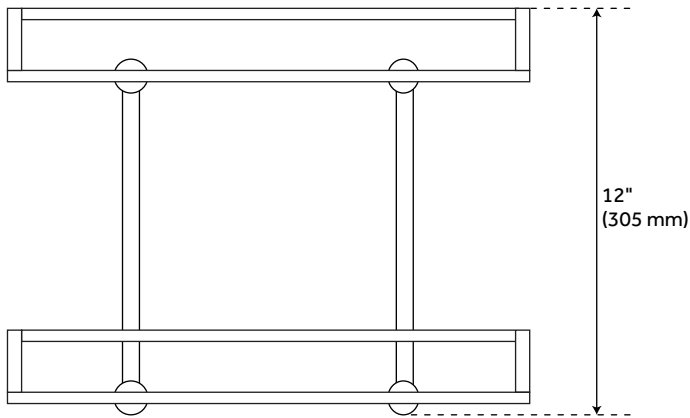
ADDITIONAL FEATURES

- Tempered glass shelf with solid brass brackets.
- Small shelf measures: 11-1/8" W x 12" H.
- Extends 8" from corner.
- Large shelf measures: 14" W x 12-1/4" H.
- Extends 10-1/4" from corner.
- Tempered glass is 1/4" thick.
- Mounting hardware included.

REVISED 4/3/2023

ENGEL TEMPERED GLASS CORNER SHELF - TWO SHELVES

SKU: 916692



All dimensions and specifications are nominal and may vary. Use actual products for accuracy in critical situations.