

FARBER TEMPERED GLASS SHELF - TWO SHELVES

SKU: 916754

Code: SH297296, SH297297, SH297298



FEATURES

Installation Type: Wall Mount

Design: Traditional

Material: Glass

Width: 19-1/4"

Height: 16"

Depth: 4-3/4"

Mounting Hardware Included: Yes

Mounting Hardware Concealed: Yes

Assembly Required: Yes

Number of Shelves: 2

REVISED 4/3/2023

FARBER TEMPERED GLASS SHELF - TWO SHELVES

SKU: 916754

Code: SH297296, SH297297, SH297298



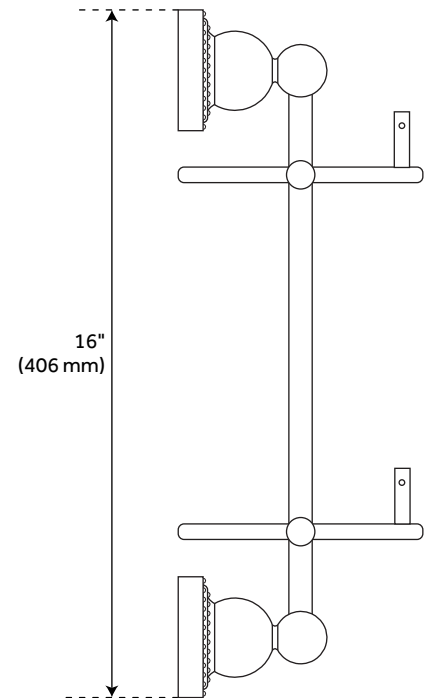
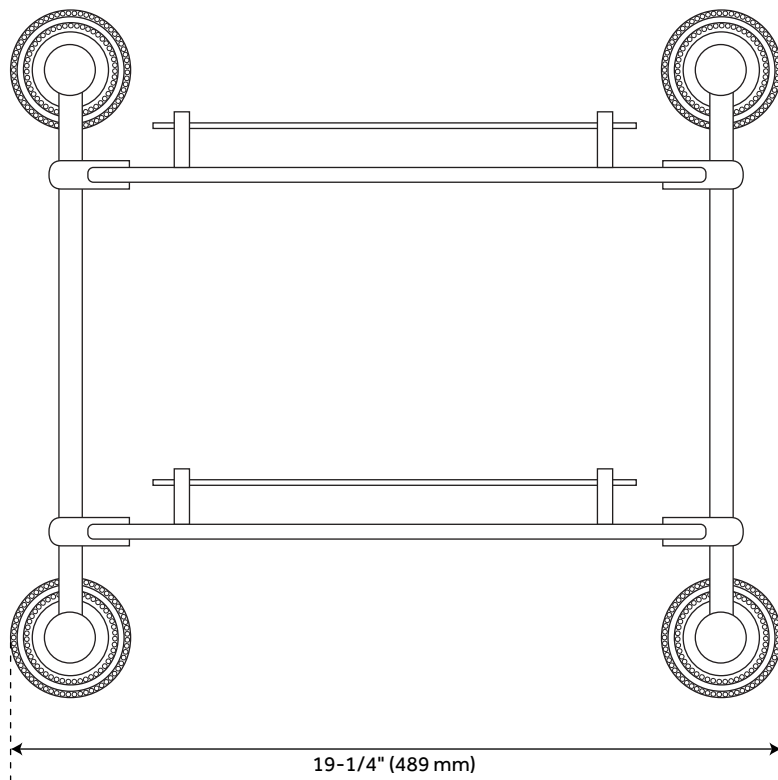
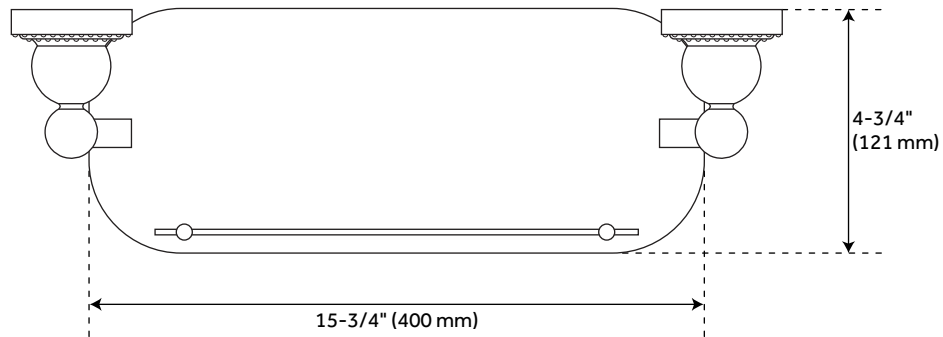
ADDITIONAL FEATURES

- Glass shelf is 15-3/4" L x 4-3/4" W (front to back).
- Tempered glass thickness 1/4".

REVISED 4/3/2023

FARBER TEMPERED GLASS SHELF - TWO SHELVES

SKU: 916754



All dimensions and specifications are nominal and may vary. Use actual products for accuracy in critical situations.