

ONE-PIECE WALL-MOUNT SINK SUPPORT

SKU: 917525

Code: PFWMBKT, SH314062

FEATURES

Sink Installation: Wall Mount

Faucet Included: No



REVISED 3/31/2023

ONE-PIECE WALL-MOUNT SINK SUPPORT

SKU: 917525

Code: PFWMBKT, SH314062



ADDITIONAL FEATURES

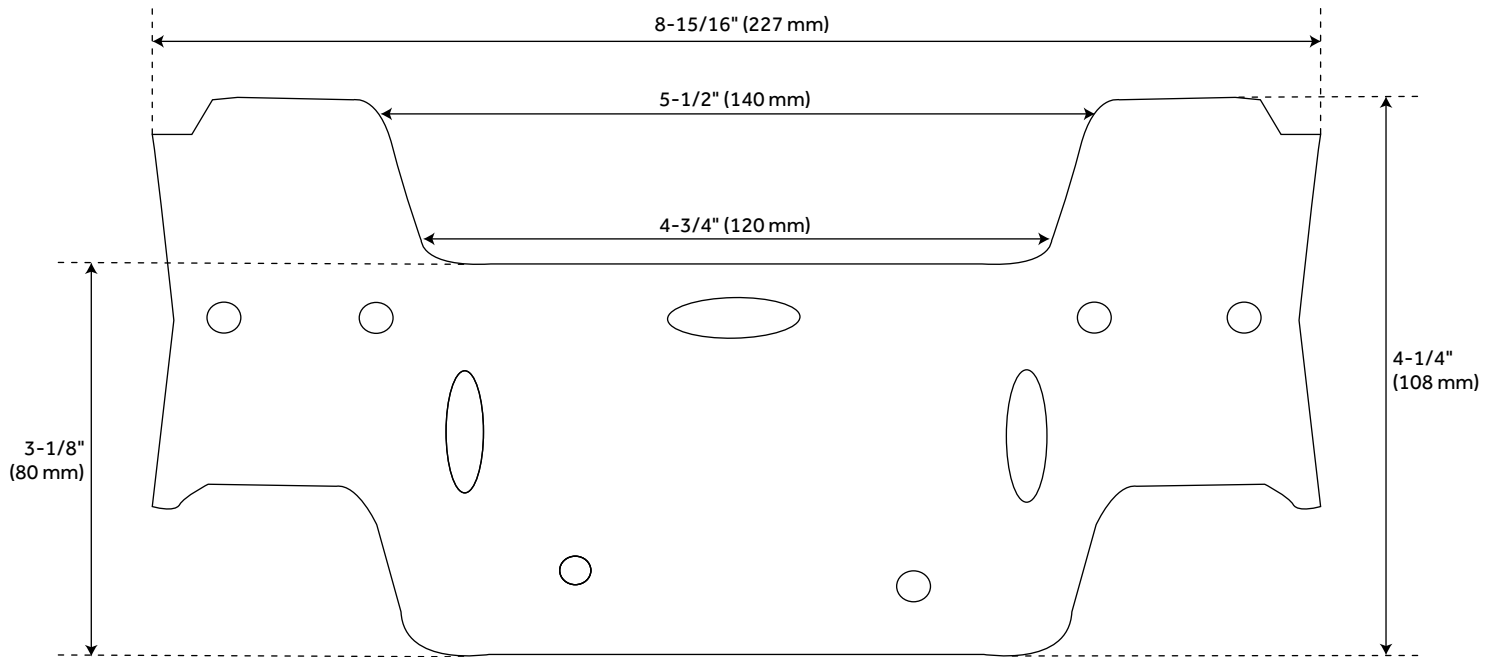
- Made of 22-gauge steel.
- Large bracket shown.
- Small dimensions: 7-1/8" L x 4-1/8" H. Space between brackets: 3-1/4" - 3-3/4". See PDF specifications for details.
- Large dimensions: 8-15/16" L x 3" H. Space between brackets: 4-3/4" - 5-1/2".
- Brackets project 1/2" from the wall.
- Mounting hole placement and shape may vary slightly by size.

REVISED 3/31/2023

ONE-PIECE WALL-MOUNT SINK SUPPORT

SKU: 917525

PFWMBKT



All dimensions and specifications are nominal and may vary. Use actual products for accuracy in critical situations.