

MONROE BRIDGE BATHROOM FAUCET - CROSS HANDLES

SKU: 918022

Code: SH320277, SH320278, SH320276, SH320279, SH320280



FEATURES

Material: Metal construction for strength and durability

Installation Type: Bridge

Flow Rate: 1.2 gpm (4.5 L/min) @ 60 psi

Cartridge Type: Ceramic Disc

Swivel Spout: No

Drain Type: Metal push-pop with overflow

ASME A112.18.1/CSA B125.1, NSF/ANSI 61, NSF/ANSI/CAN 61, LISTED ID: SH449057*, SH439073PN, SH439073BG, SH439072BN, SH439072CP, SH439072ORB, SH439072PN, SH439072PB, SH439072BG, SH439072MB, SH439073BN



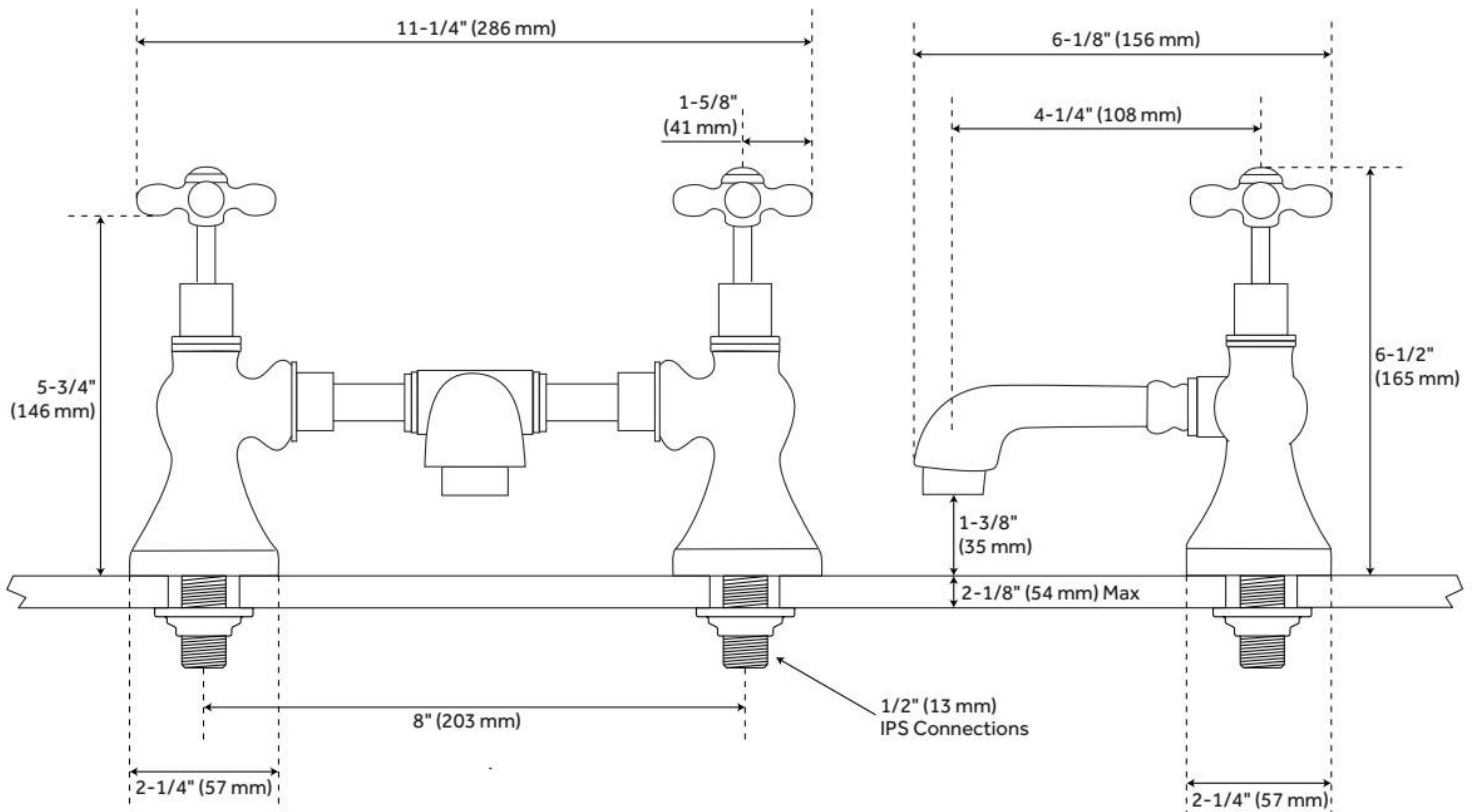
ADDITIONAL FEATURES

REVISED 5/17/2024

MONROE BRIDGE BATHROOM FAUCET - CROSS HANDLES

SKU: 918022

Code: SH320277, SH320278, SH320276, SH320279, SH320280



REVISED 5/17/2024

EXTENDED PRESS TYPE POP-UP BATHROOM DRAIN - OVERFLOW HOLE

SKU: 406287
Code: SH406287



FEATURES

Material: Brass

ASME A112.18.2/CSA B125.2, LISTED ID: SH439073BN



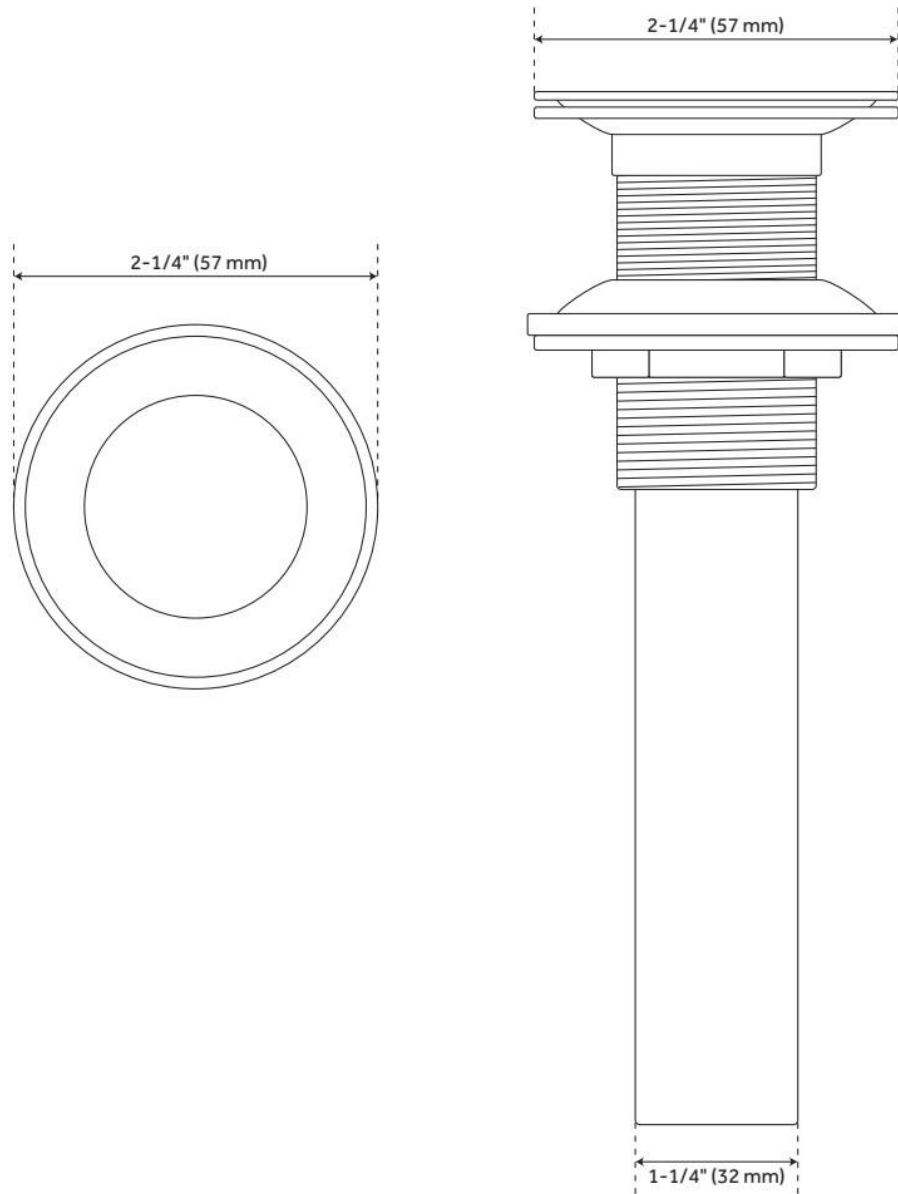
ADDITIONAL FEATURES

- Made of solid brass.
- Completely finished with plated parts.
- Fits standard sinks with 1-1/2" drain holes.
- 1-1/4" tailpiece.

REVISED 5/17/2024

EXTENDED PRESS TYPE POP-UP BATHROOM DRAIN - OVERFLOW HOLE

SKU: 406287
Code: SH406287



REVISED 5/17/2024