

ELNORA BRIDGE BATHROOM FAUCET - CROSS HANDLES

SKU: 918024

Code: SH320454, SH320456, SH320458, SH320457, SH320455



FEATURES

Installation Type: Bridge
Design: Traditional
Length: 15"
Width: 10-7/8"
Height: 11-1/2"
Base Plate Diameter: 2-1/4"
Faucet Centers: 12"
Overflow Hole: true
Fits Drain Hole Size: 1-1/2"
Drain Included: Yes
Faucet Material: Brass
Handle Type: Cross
Handle Length: 1-5/8"
IPS: 1/2"
Max. Countertop Thickness: 1-1/2"
Height To Spout: 8-1/2"
Spout Reach: 8-1/2"
Handle Height: 5-7/8"
Ceramic Disc Cartridges: Yes
Hot and Cold Indicators: Yes

IAPMO



REVISED 3/16/2023

ELNORA BRIDGE BATHROOM FAUCET - CROSS HANDLES

SKU: 918024

Code: SH320454, SH320456, SH320458, SH320457, SH320455



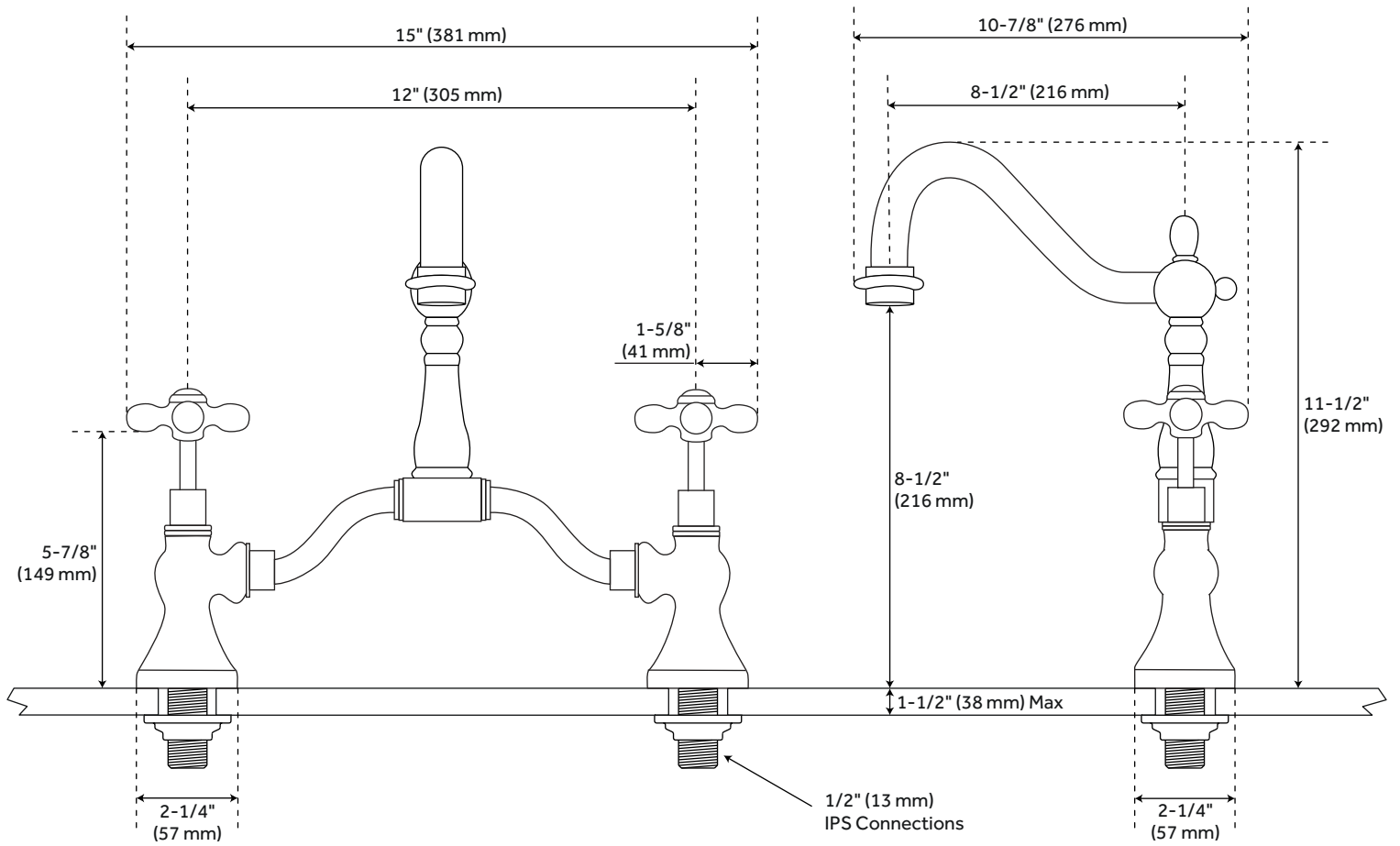
ADDITIONAL FEATURES

- Drain is compatible with sinks that have an overflow hole.

REVISED 3/16/2023

ELNORA BRIDGE BATHROOM FAUCET - CROSS HANDLES

SKU: 918024



All dimensions and specifications are nominal and may vary. Use actual products for accuracy in critical situations.