

ALLISTER DECK-MOUNT TUB FAUCET AND HAND SHOWER

SKU: 920046

Code: SH348042, SH348043



FEATURES

Material: Metal

Hand Shower Flow Rate: 1.8 gpm (6.8 L/min) @ 80 psi

Flow Rate: 7 gpm (26.5 L/min) @ 80 psi

Cartridge Type: Ceramic Disc

CEC Listed, LISTED ID: 508448, 508446, SH441020*



ADDITIONAL FEATURES

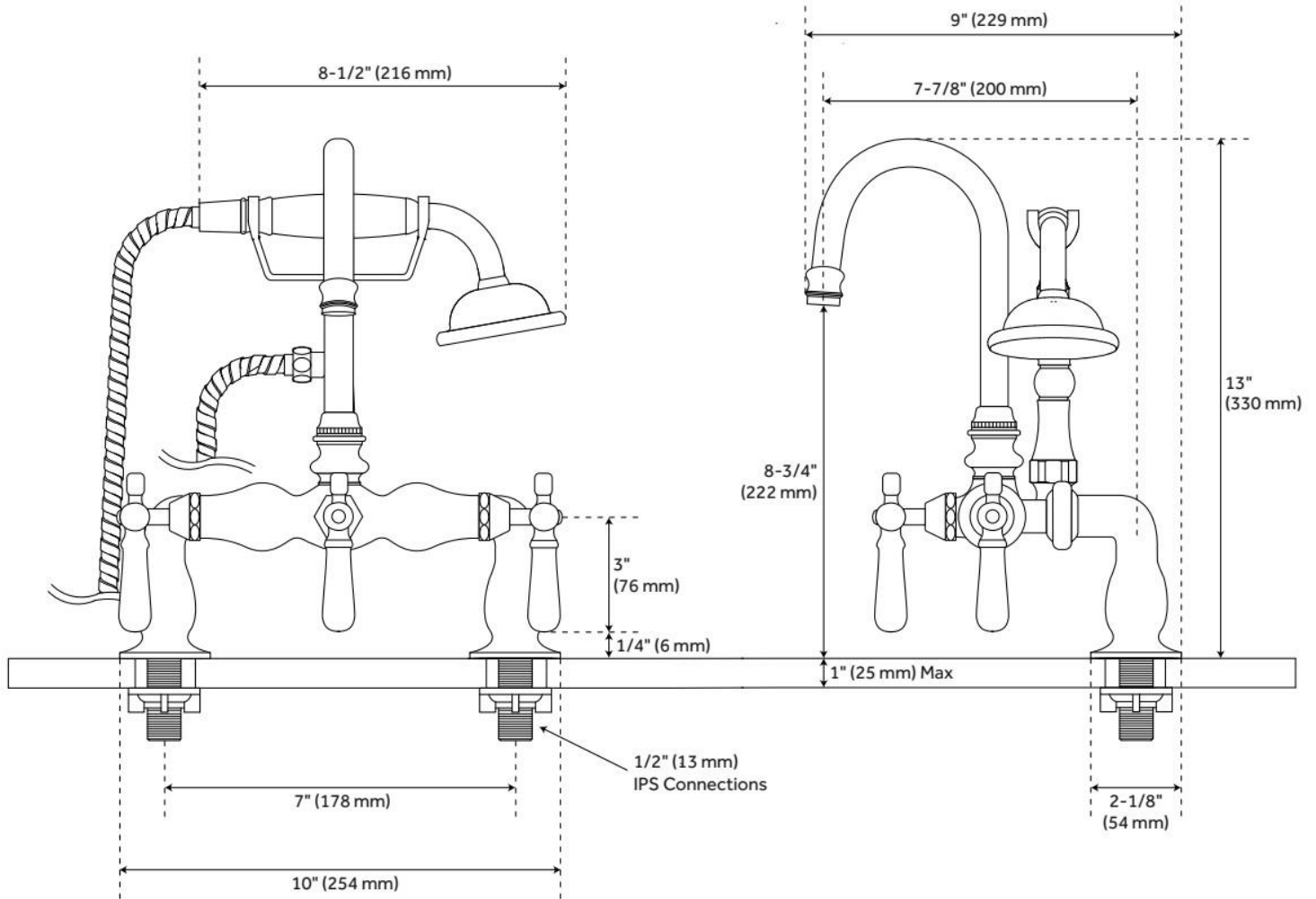
- Three ball faucet body design.
- Decorative s-couplers.
- 8" H hand shower cradle.
- 3-5/8" metal lever handles.

REVISED 4/18/2025

ALLISTER DECK-MOUNT TUB FAUCET AND HAND SHOWER

SKU: 920046

Code: SH348042, SH348043



REVISED 4/18/2025