

CASEMENT TUB & SHOWER SET WITH LEVER HANDLE

SKU: 920670

Code: SH317209, SH393476



FEATURES

Installation Type: Wall Mount

Features: Pressure-Balanced; Tub Spout Included

Design: Modern

Material: Brass

Assembly Required: No

Shape: Square

Handle Type: Lever

Installation Type: Wall Mount

Shower Head Installation Type: Wall

Shower Head IPS: 1/2"

Valve Trim Width: 7"

Valve Trim Height: 7"

Shower Head Flow Rate: 2.0 gpm (7.6 L/min) @ 80 psi

REVISED 3/29/2023

CASEMENT TUB & SHOWER SET WITH LEVER HANDLE

SKU: 920670

Code: SH317209, SH393476



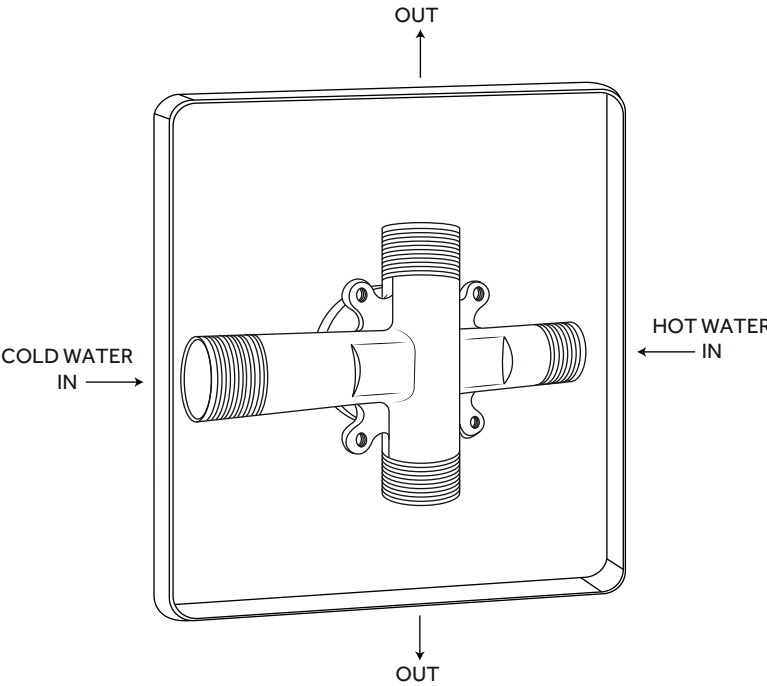
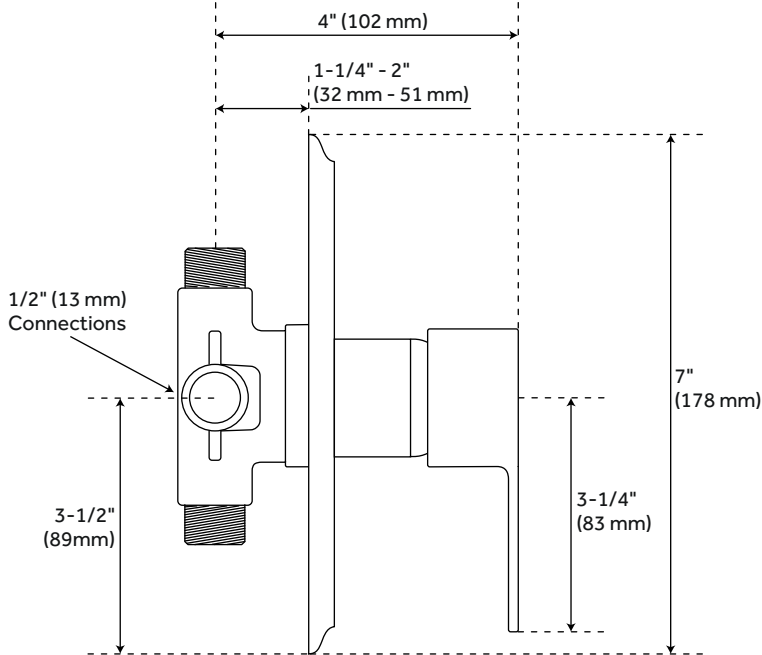
ADDITIONAL FEATURES

- Pressure-balance valve maintains consistent water pressure and temperature.
- ABS shower head and faceplate.
- UPC certified.

REVISED 3/29/2023

CASEMENT PRESSURE BALANCE SHOWER VALVE

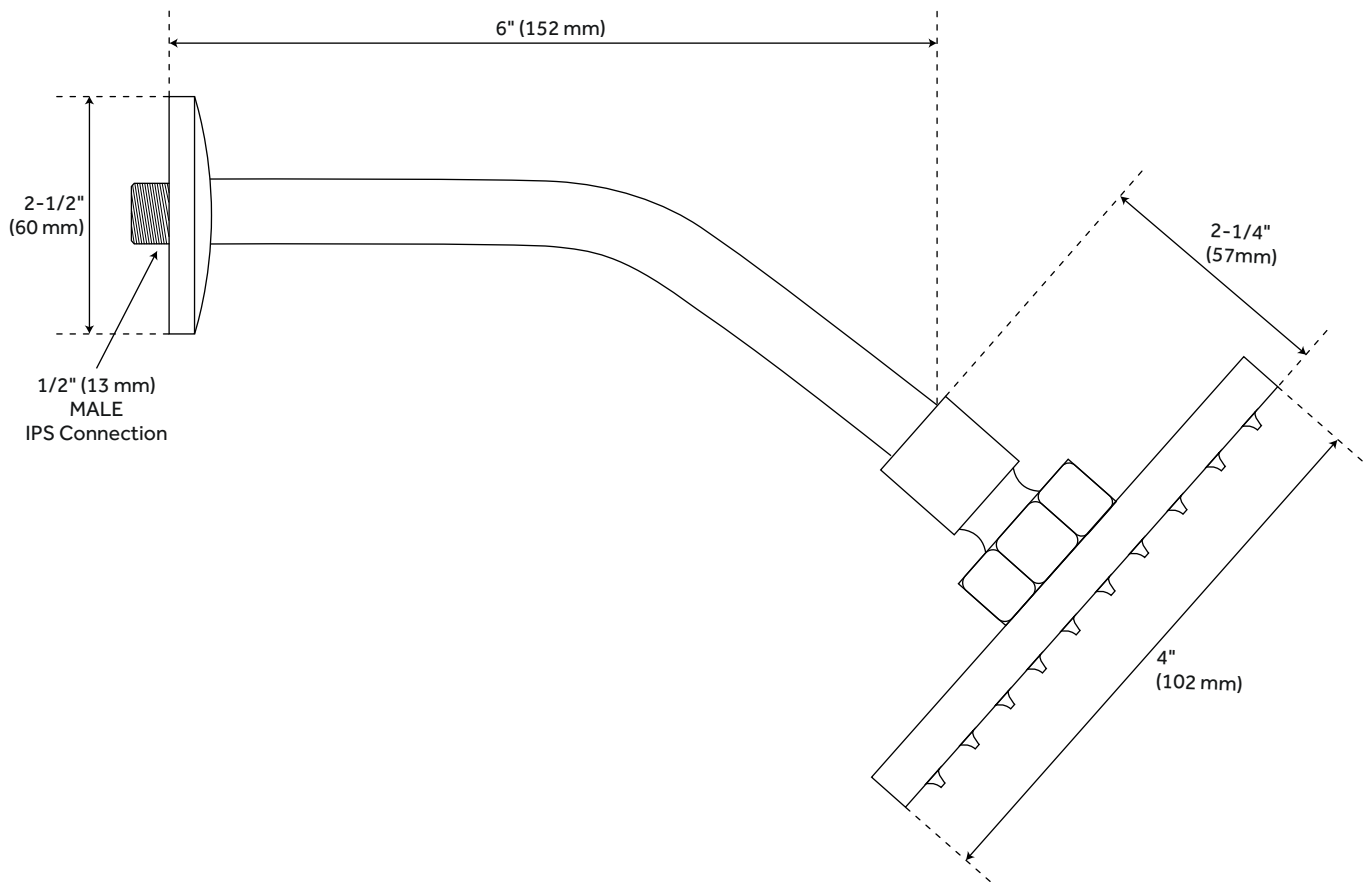
SKU: 920670



All dimensions and specifications are nominal and may vary. Use actual products for accuracy in critical situations.

CASEMENT WALL-MOUNT SHOWER HEAD

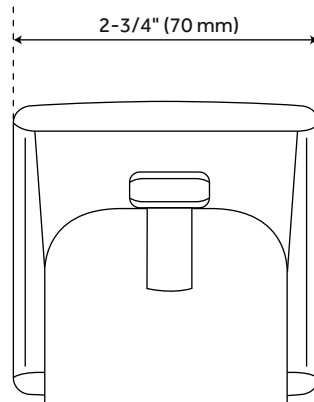
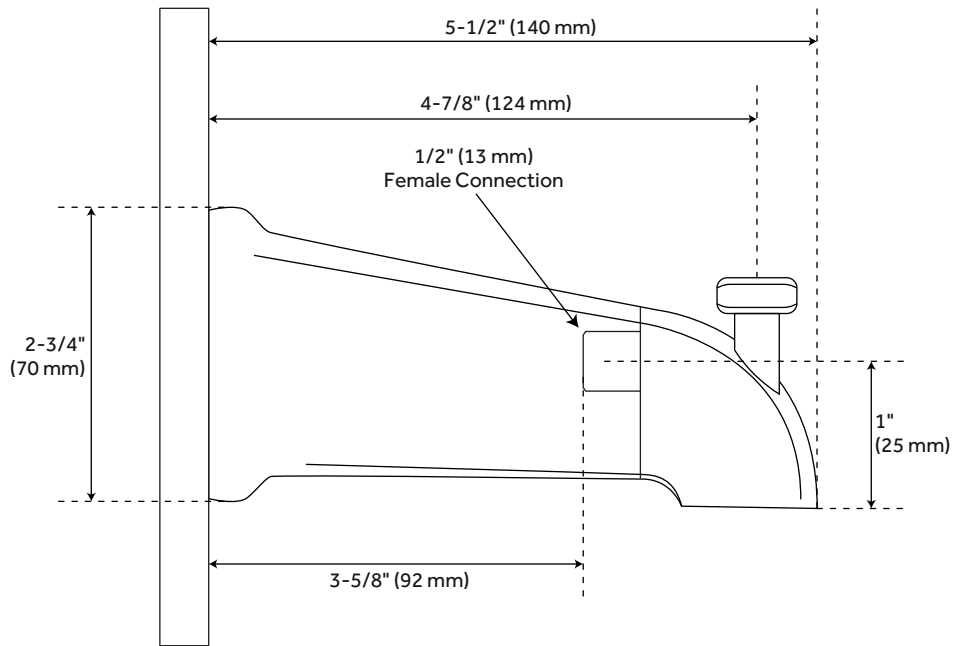
SKU: 920670



All dimensions and specifications are nominal and may vary. Use actual products for accuracy in critical situations.

CASEMENT TUB SPOUT

SKU: 920670



All dimensions and specifications are nominal and may vary. Use actual products for accuracy in critical situations.