

ROTUNDA

SLANTED SPOUT SINGLE-HOLE VESSEL FAUCET

SKU: 920681



FEATURES

Installation Type: Vessel
Faucet Centers: Single-Hole
Handle Type: Lever
Overflow Hole: Yes
Design: Modern
Faucet Material: Brass
Ceramic Disc Cartridges: Yes
Hot and Cold Indicators: No
Drain Included: Yes

CONTENTS

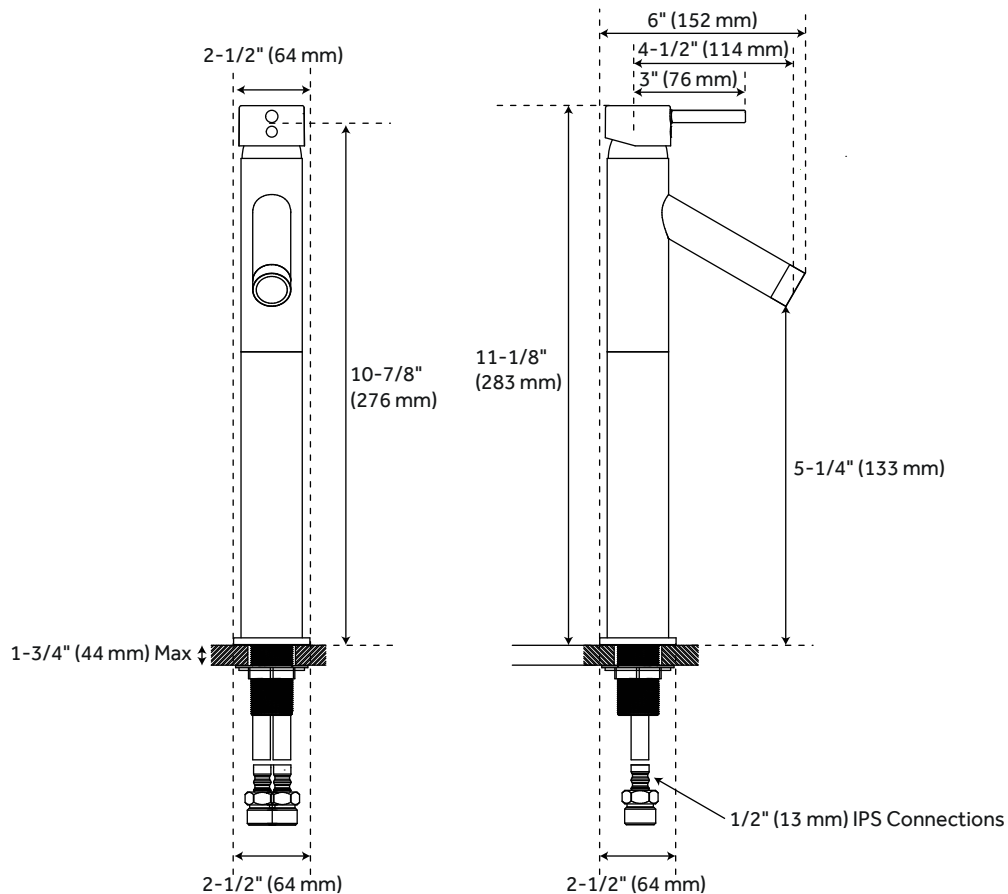
FAUCET PAGE 2

REVISED 05/05/2021

ROTUNDA

SLANTED SPOUT SINGLE-HOLE VESSEL FAUCET

SKU: 920681



FEATURES

- Max. Countertop Thickness: 1-3/4"
- Length: 2-1/2"
- Width: 6"
- Height: 11-1/8"
- Height to Spout: 5-1/4"
- Spout Reach: 4-1/2"
- Base Plate Length: 2-1/2"
- Base Plate Width: 2-1/2"
- Handle Length: 3"
- Height to Bottom of Handle: 10-7/8"
- IPS: 1/2"
- Fits Drain Hole Size: 1-1/2"
- Maximum Flow Rate:
 - 1.2 gpm (gallons per minute)

CODES/STANDARDS

- cUPC
- NSF/ANSI 61
- NSF/ANSI 372
- ASME A112.18.1/CSA B125.1
- CEC Listed
- WaterSense

PRODUCT IMAGE

