

# ENID WIDESPREAD BATHROOM FAUCET

SKU: 921451

Code: SH357325, SH357449, SH357341, SH437386



## FEATURES

Material: Metal construction for strength and durability

Installation Type: Widespread

Flow Rate: 1.2 gpm (4.5 L/min) @ 60 psi

Cartridge Type: Ceramic Disc

Swivel Spout: No

Drain Type: Metal push-pop with overflow

ASME A112.18.1/CSA B125.1, NSF/ANSI 372, NSF/ANSI 61, NSF/ANSI/CAN 61, NSF/ANSI/CAN 61-9:Q≤1, LISTED ID: SH449029\*



## ADDITIONAL FEATURES

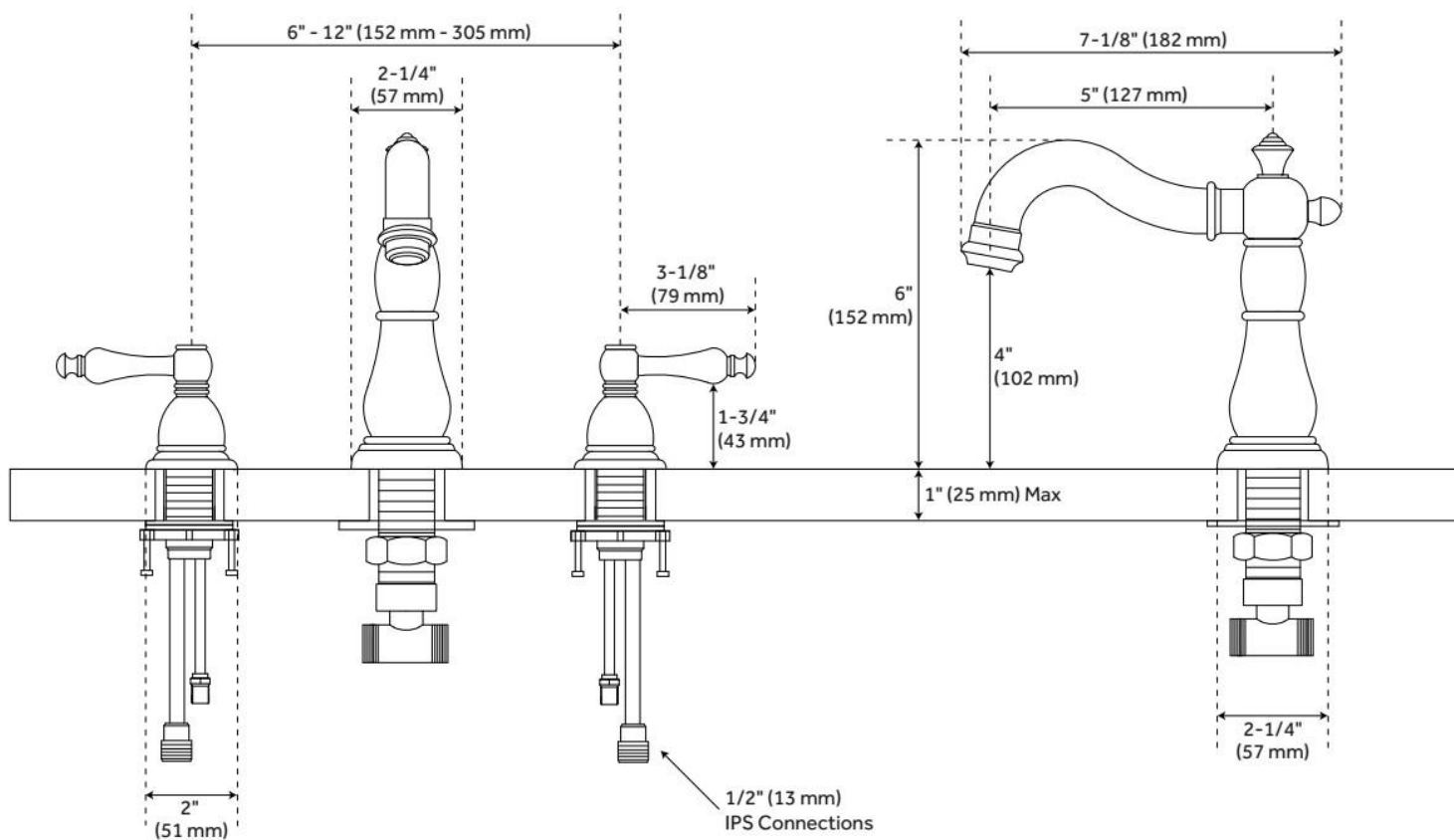
- Drain is compatible with sinks that have an overflow hole.
- Faucet can be installed with variable centers from 6" - 12"

REVISED 5/21/2024

# ENID WIDESPREAD BATHROOM FAUCET

SKU: 921451

Code: SH357325, SH357449, SH357341, SH437386

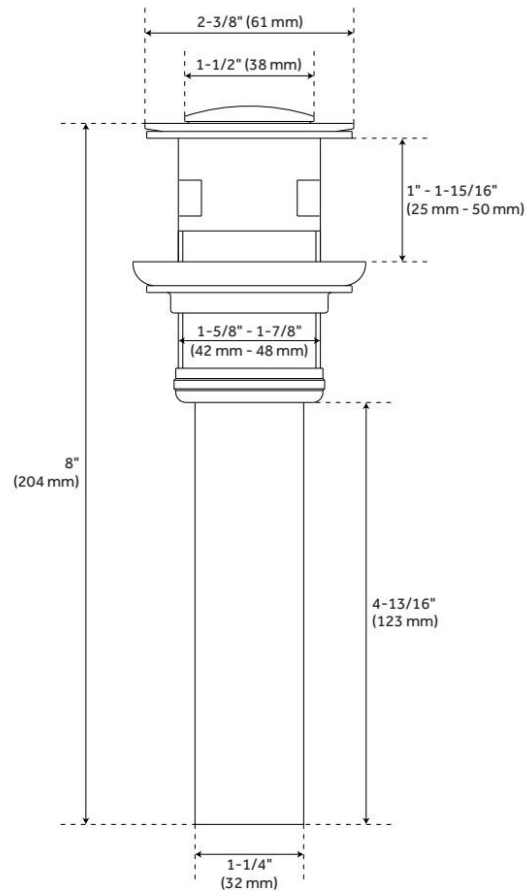


REVISED 5/21/2024

# ENID WIDESPREAD BATHROOM FAUCET

SKU: 921451

Code: SH357325, SH357449, SH357341, SH437386



REVISED 5/21/2024