

72" KENDI BATEAU COPPER TUB

SKU: 922328-72

Code: SH474293, SH474294, SH474298, SH474299, SH474300, SH474301, SH474302, SH480169, SH441848



FEATURES

Design: Industrial
Product Finish: Antique Copper Patina
Length: 72"
Width: 32"
Height: 32"
Exterior Treatment: Hammered
Interior Treatment: Hammered
Metal Gauge/Thickness: 16 Gauge
Faucet Included: No
Shape: Oval
Water Depth to Rim: 19-1/4"
Tub Overflow: Optional
Tub Material: Copper
Tub Interior Length: 55"
Tub Interior Width: 22"
Tap Deck: No
Faucet Drillings: No Drillings
Tub Weight Uncrated (lbs): 124
Tub Weight Crated (lbs): 234

REVISED 3/14/2023

72" KENDI BATEAU COPPER TUB

SKU: 922328-72

Code: SH474293, SH474294, SH474298, SH474299, SH474300, SH474301, SH474302, SH480169, SH441848



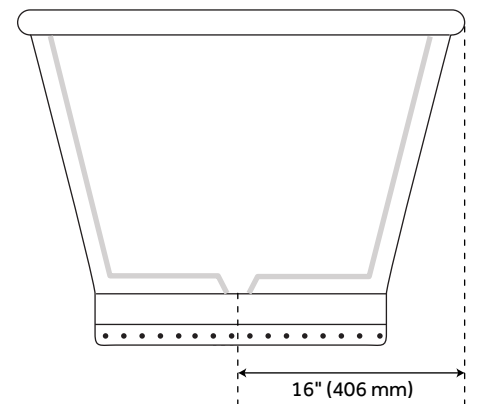
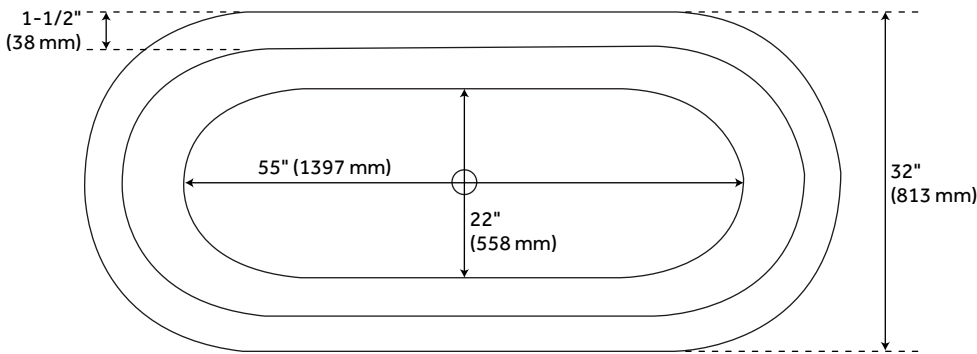
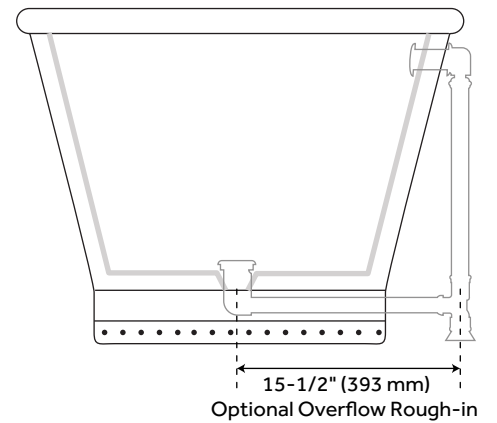
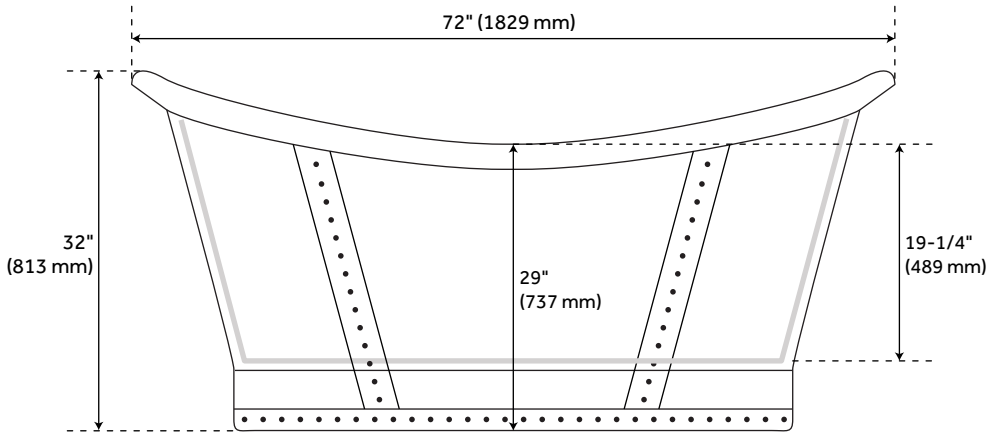
ADDITIONAL FEATURES

- Hand-polished finish.
- Patina applied using French hot process, so color is ingrained in the copper.
- Copper tubs are handmade and therefore unique. Expect slight variations in finish and dimensions ($\pm 1"$).
- Features drain passage hole on plinth.
- Overflow option includes a Standard overflow which remains open to allow water into the drain.
- To keep the tub in premium condition, it is recommended to not use anything abrasive for bathing or cleaning, including products like Epsom salts, bristle brushes, and harsh soaps.
- Optional Quick Connect Drop-In Drain Kit Includes:
 - Floor Plate, 1-1/2" PVC Pipe, 2" x 1-1/2" Trap Adapters, 1 Brass Threaded, 1 Brass Unthreaded Tailpiece and Plug.
 - Installs above your subfloor, but underneath your cement floor or tile, so you do not need access below the fixture.

REVISED 3/14/2023

72" KENDI BATEAU COPPER TUB

SKU: 922328-72



All dimensions and specifications are nominal and may vary. Use actual products for accuracy in critical situations.