

# ISOLA THERMOSTATIC SHOWER SYSTEM WITH RAINFALL SHOWER - MODERN HAND SHOWER

SKU: 922461

Code: SH403031, SH364192, SH403032, SH364193, SH403033, SH365173, SH403034, SH403035, SH403036, SH403037, SH403038, SH403039, SH403040, SH403041, SH403042



## FEATURES

Material: Brass

Hand Shower Flow Rate: 2.0 gpm (7.6 L/min) @ 80 psi

Diverter Outlets: 2

Cartridge Type: Thermostatic

LISTED ID: 518648, 515435, 518601, 518647, SH4410002\*, 515432, 515434, 518602, 518649, 515431, 515429, 515430, 515425, 515424, 515421, SH441001\*, 515422, 515423



## ADDITIONAL FEATURES

- 12" and 14" shower heads do not swivel.
- Single lever controls.
- Shower system includes ceiling mount rainfall shower head, wall-mount slide bar with Hand Shower, Hand Shower water connection and a thermostatic 2-way in-wall diverter.
- Thermostatic technology keeps shower temperature  $\pm 1$  degree Celsius.
- Diverter trim measures 5-7/8" L x 11-1/4" H.
- Hand-held shower measures 7-1/4" L with a 5' hose.
- Slide bar measures 3/4" diameter x 29-1/2" long overall.
- Slide bar center-to-center measurement: 27-5/8".
- Hand shower spray area: 3/8" L x 2-3/8" H.
- Decorative base plates measure 1-3/4" diameter.
- Water connection features a 1/2" IPS connection.
- 2-way diverter features 1/2" IPS inlets, and controls water flow between 2 shower outlets.

REVISED 5/28/2024

# LAMBERT RAINFALL NOZZLE SHOWER HEAD

SKU: 926430

Code: SH434264, SH482200, SH393698, SH482199, SH412466, SH412467, SH412468, SH400048, SH400049, SH400050, SH214373, SH214372, SH214371, SH349142, SH349141, SH349140, SH349139, SH400004, SH349137, SH400053, SH400054, SH400055



## FEATURES

Material: Brass

CSA, LISTED ID: 564669, 564674, 515418, 515419, 515420, 515421, 515422, 515423, 515424, 515425, 515426, 515428, 515429, 515430, 515431, 515432, 515433, 515434, 515435, 515436



## ADDITIONAL FEATURES

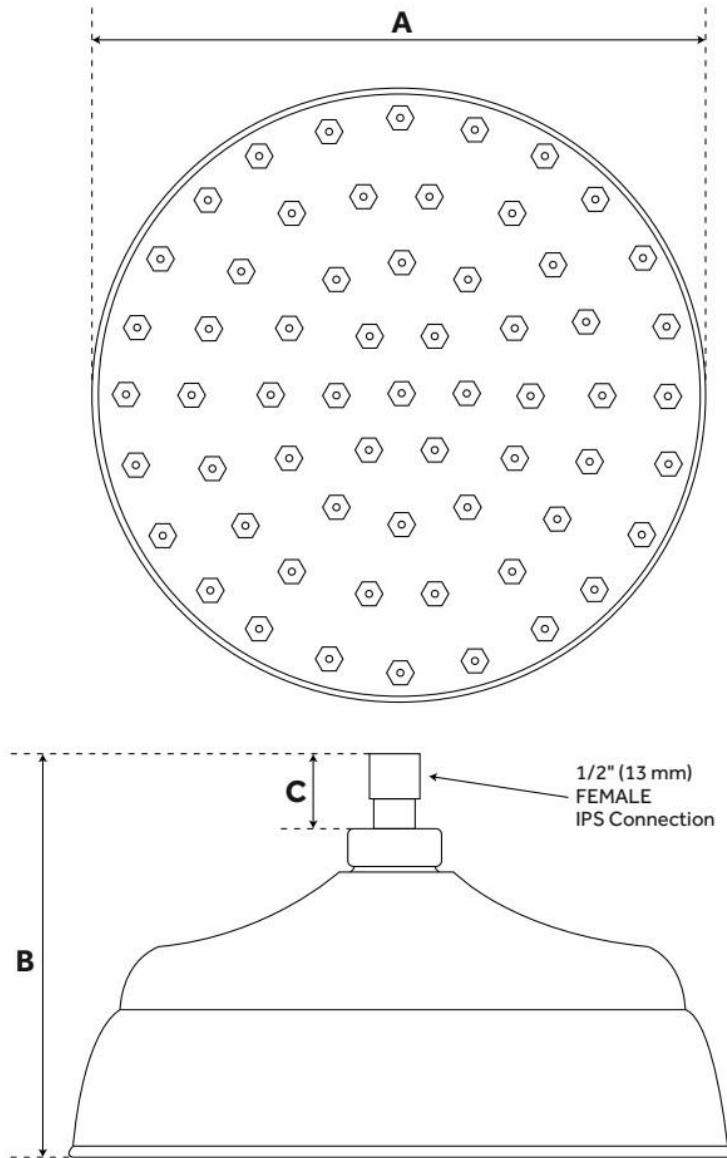
- 12", 14", and 17" shower heads do not swivel.

REVISED 5/24/2024

# LAMBERT RAINFALL NOZZLE SHOWER HEAD

SKU: 926430

Code: SH434264, SH482200, SH393698, SH482199, SH412466, SH412467, SH412468, SH400048, SH400049, SH400050, SH214373, SH214372, SH214371, SH349142, SH349141, SH349140, SH349139, SH400004, SH349137, SH400053, SH400054, SH400055



Reference A	Reference B	Reference C
5-1/2" (140 mm)	4" (102 mm)	2-5/16" (59 mm)
8" (203 mm)	4-1/2" (114 mm)	3-1/4" (82 mm)
10-1/4" (260 mm)	4-1/2" (114 mm)	2-3/4" (69 mm)
12" (305 mm)	5" (127 mm)	4-1/16" (104 mm)
14-1/8" (359 mm)	5-1/2" (140 mm)	4-9/16" (116 mm)
17" (432 mm)	6" (152 mm)	5-3/16" (132 mm)

REVISED 5/24/2024

# CONTEMPORARY 4-WAY THERMOSTATIC VALVE

SKU: 940102

Code: SH421517, SH421516, SH421518



## FEATURES

Diverter Outlets: 4

Cartridge Type: Thermostatic

ASME A112.18.1/CSA B125.1, ASSE 1016 Type T, LISTED ID: 518647, 518648, 518649



## ADDITIONAL FEATURES

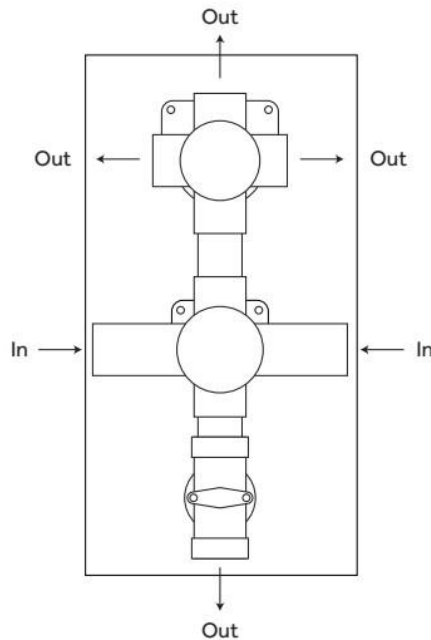
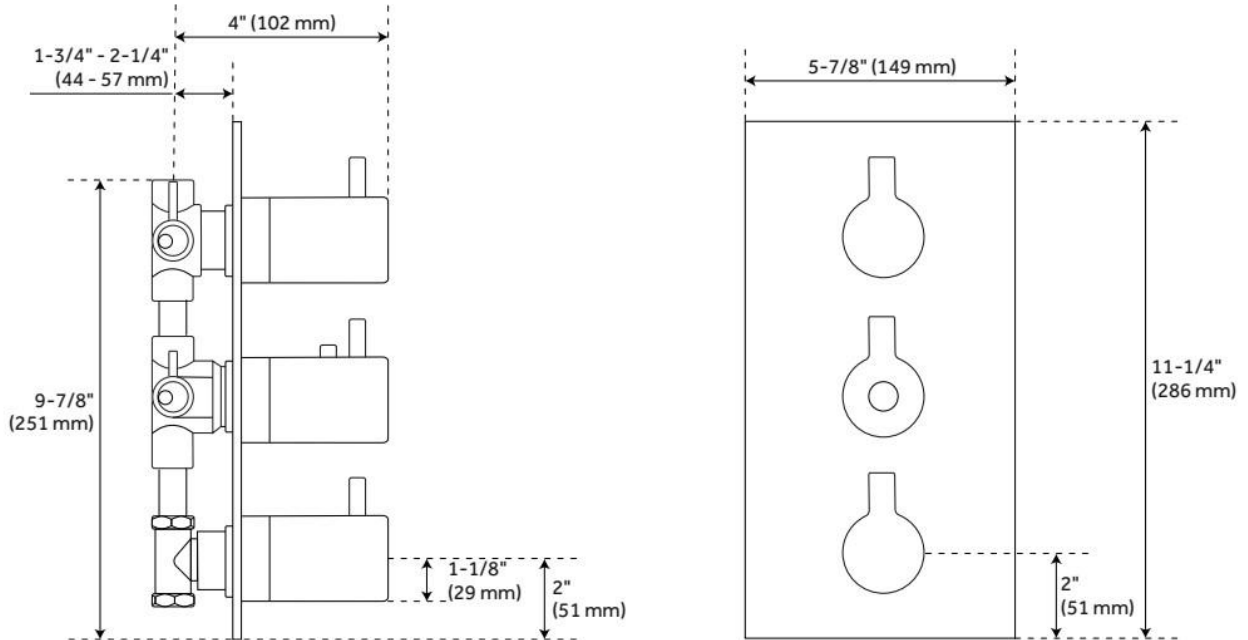
- Thermostatic technology keeps shower temperature  $\pm 1$  degree Celsius.
- The valve included with this system can be arranged to run two spray functions simultaneously.

REVISED 5/28/2024

# CONTEMPORARY 4-WAY THERMOSTATIC VALVE

SKU: 940102

Code: SH421517, SH421516, SH421518



REVISED 5/28/2024

# CEILING-MOUNT SHOWER ARM

---

SKU: 904194

Code: SH153843, SH153845, SH153846, SH156379, SH158882, SH158883, SH158884

## FEATURES

Material: Brass

Connection Type: 1/2" NPT



## ADDITIONAL FEATURES

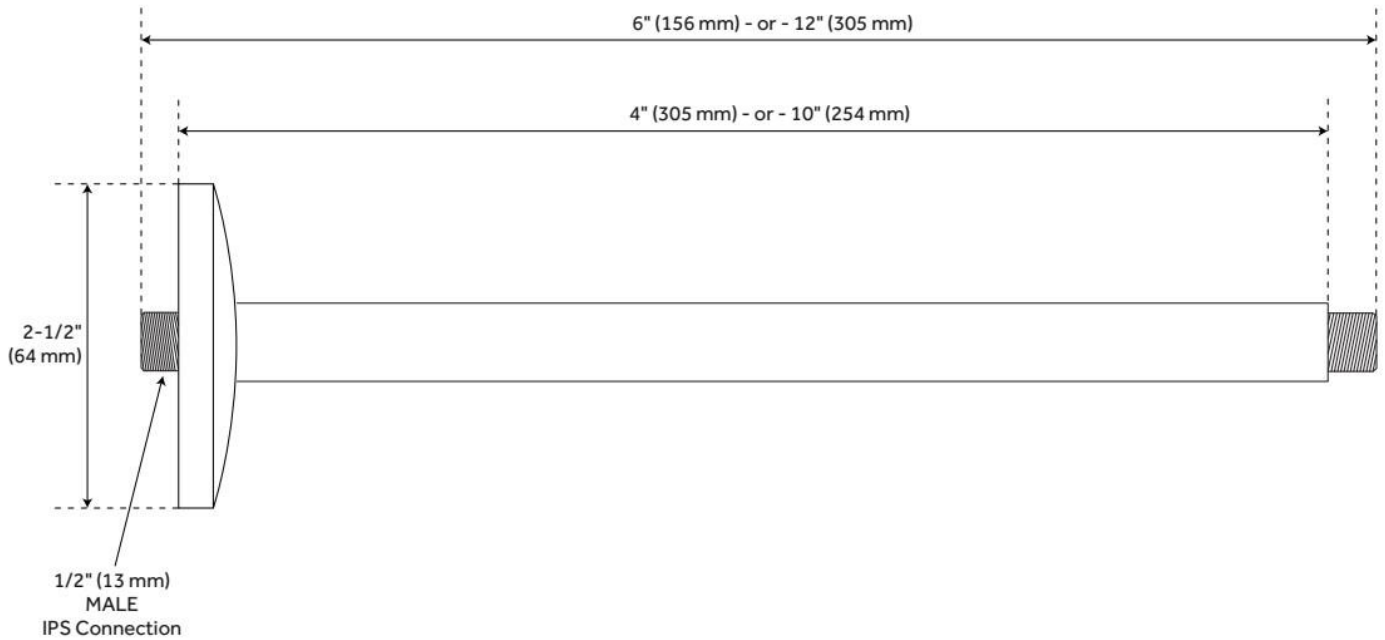
- Includes matching flange.

REVISED 5/24/2024

# CEILING-MOUNT SHOWER ARM

SKU: 904194

Code: SH153843, SH153845, SH153846, SH156379, SH158882, SH158883, SH158884



REVISED 5/24/2024

# MODERN WATER SUPPLY ELBOW FOR HAND SHOWER

SKU: 936277

Code: SH425073, SH436969, SH425074



## FEATURES

Material: Brass

Connection Type: 1/2" NPT

ASME A112.18.1/CSA B125.1, Massachusetts Accepted, LISTED ID: SH4410002\*



## ADDITIONAL FEATURES

- Material: Solid Brass
- Length: 1-7/8"
- Width: 2"
- Height: 2-1/8"

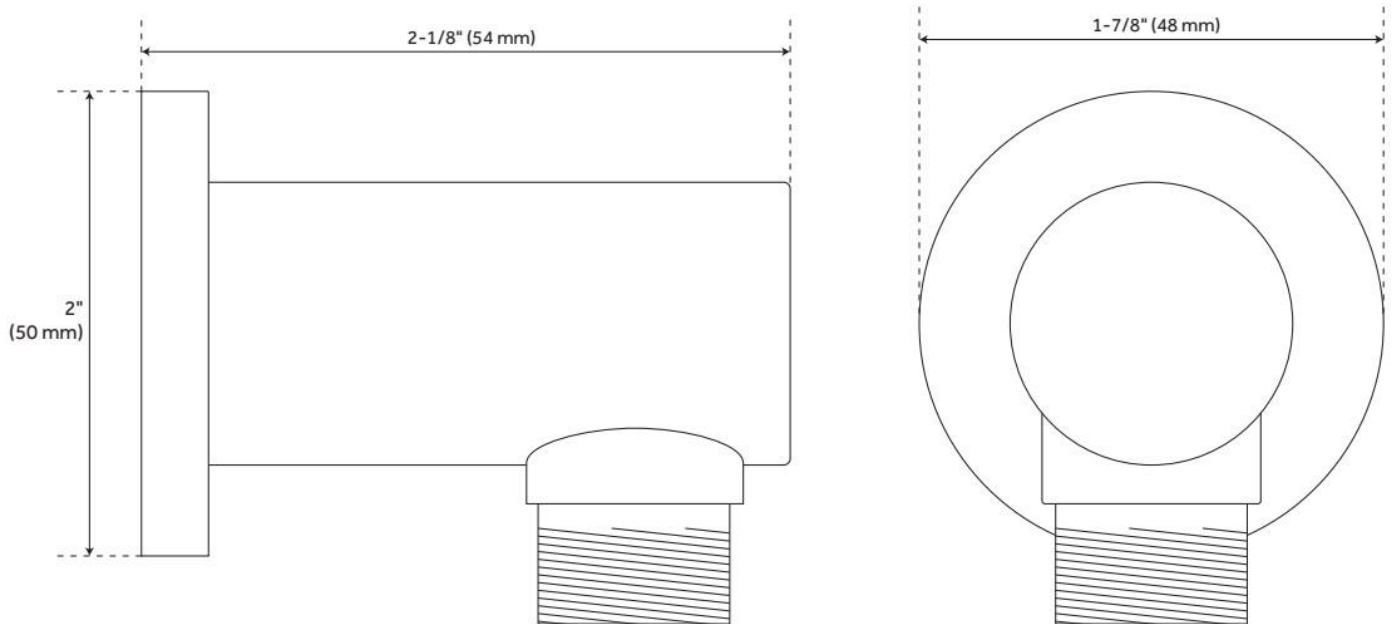
REVISED 8/14/2024



# MODERN WATER SUPPLY ELBOW FOR HAND SHOWER

SKU: 936277

Code: SH425073, SH436969, SH425074



REVISED 8/14/2024

# SCHILLER SLIDE BAR AND TUBULAR MODERN HAND SHOWER

SKU: 922513

Code: SH354532, SH354533, SH354534



## FEATURES

Material: Brass

Hand Shower Spray: Full

Hand Shower Flow Rate: 2.0 gpm (7.6 L/min) @ 80 psi

LISTED ID: 518601, 518602, SH441001\*



## ADDITIONAL FEATURES

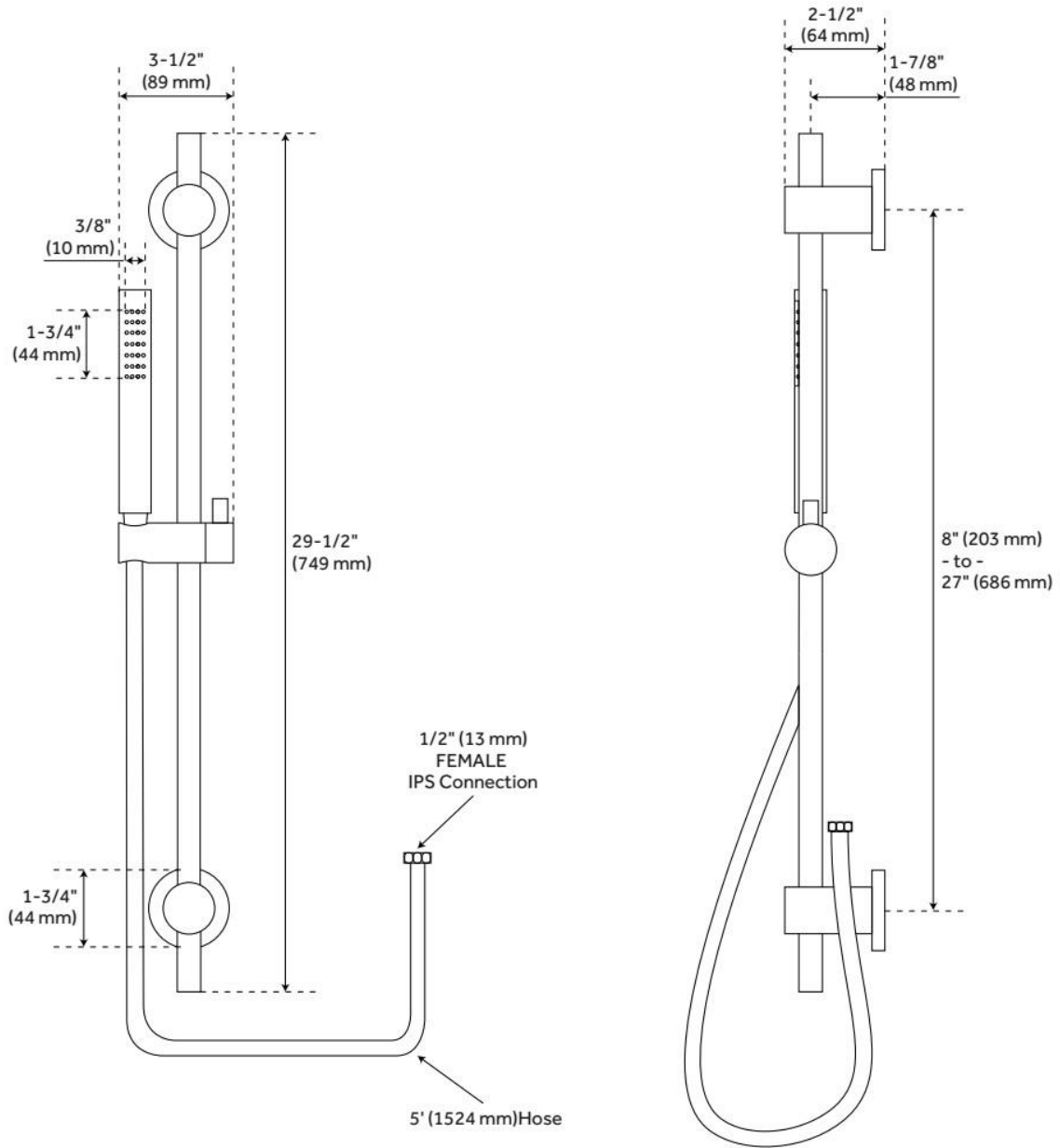
- Slide bar base plate diameter: 1-3/4"
- Hand shower spray area: 3/8" L x 2-3/8" H.

REVISED 5/24/2024

# SCHILLER SLIDE BAR AND TUBULAR MODERN HAND SHOWER

SKU: 922513

Code: SH354532, SH354533, SH354534



REVISED 5/24/2024