

# LAVELLE WALL-MOUNT WATERFALL TUB FAUCET

SKU: 924617

Code: SH378993, SH378994, SH378995, SH378997



## FEATURES

Material: Metal construction for strength and durability

Installation Type: Wall Mount

Flow Rate: 10 gpm (37.9 L/min) @ 80 psi

Cartridge Type: Ceramic Disc

Swivel Spout: No

Massachusetts Accepted

## ADDITIONAL FEATURES

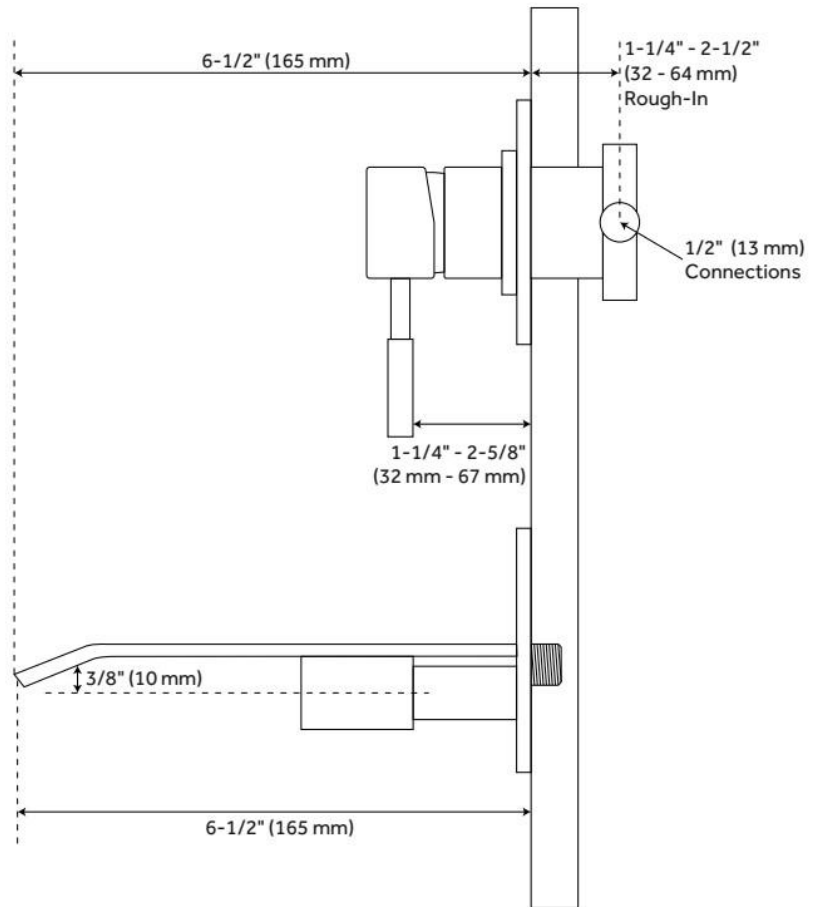
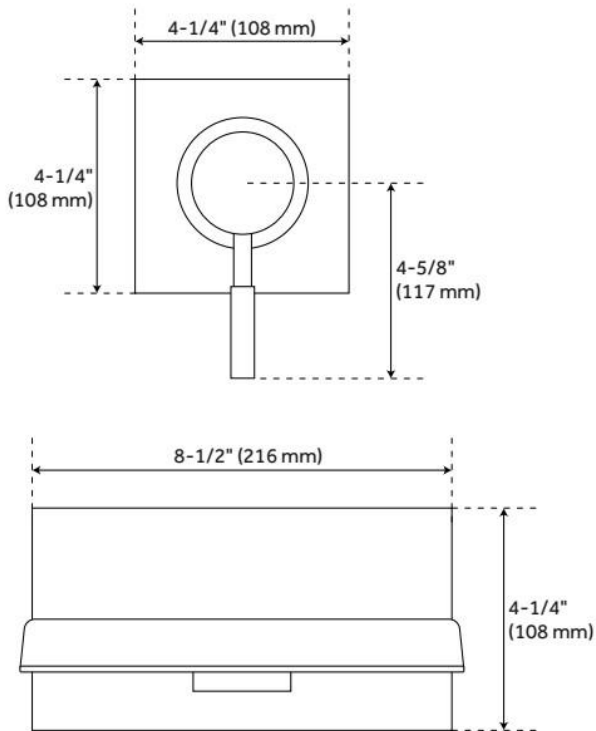
- Spout base plate width: 8-1/2"
- Spout base plate height: 4-1/4"
- Handle length: 4-5/8"
- Handle base plate width: 4-1/4". Base plate height: 4-1/4"
- Low-lead compliant.

REVISED 8/13/2024

# LAVELLE WALL-MOUNT WATERFALL TUB FAUCET

SKU: 924617

Code: SH378993, SH378994, SH378995, SH378997



REVISED 8/13/2024