

RESTON WALL-MOUNT WATERFALL BATHROOM FAUCET

SKU: 924619

Code: SH453247, SH453248, SH453246



FEATURES

Material: Metal construction for strength and durability

Faucet Centers: 4"

Installation Type: Wall Mount

Flow Rate: 1.2 gpm (4.5 L/min) @ 60 psi

Cartridge Type: Ceramic Disc

Swivel Spout: No

Drain Type: Drain not included

Massachusetts Accepted, LISTED ID: SH441042*



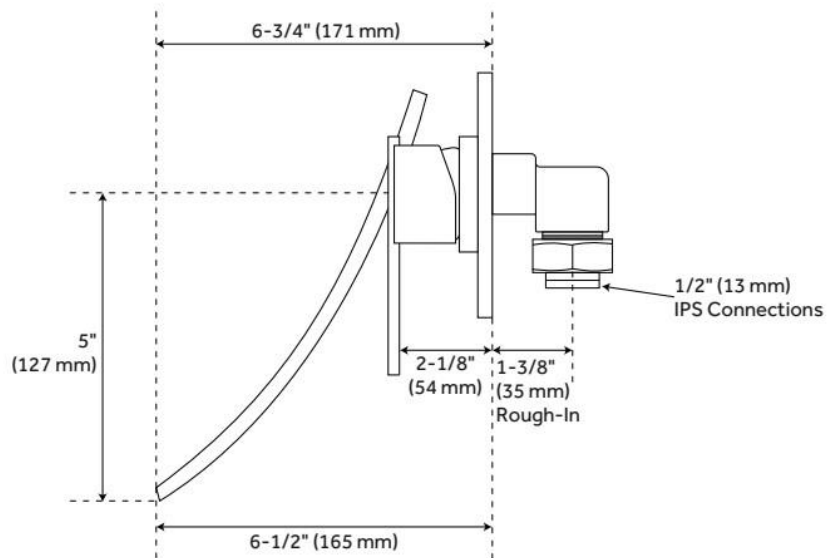
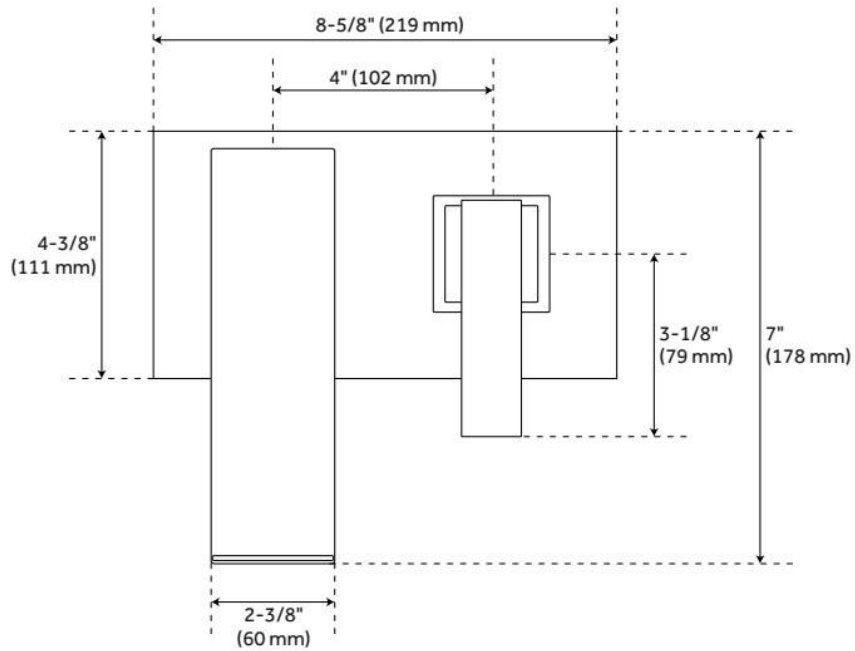
ADDITIONAL FEATURES

REVISED 11/11/2024

RESTON WALL-MOUNT WATERFALL BATHROOM FAUCET

SKU: 924619

Code: SH453247, SH453248, SH453246



REVISED 11/11/2024