

70" BOYCE ACRYLIC TUB - AIR MASSAGE

SKU: 925339-70-AIR

Code: SH481164, SH481171



FEATURES

Tub Material: Acrylic
Product Finish: White
Shape: Oval
Tub Drain Placement: Offset
Drain Included: Yes
Water Depth to Overflow: 14-3/16"
Water Capacity (Gallons): 80.04
Built-In Adjusters: Yes
Tub Weight Uncrated (lbs): 149
Optional Accessory: 428473

CSA B45.5/IAPMO Z124, LISTED ID: SH112077AWH



ADDITIONAL FEATURES

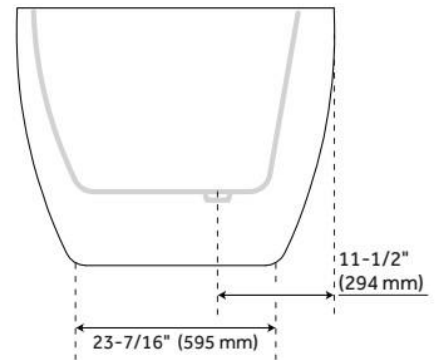
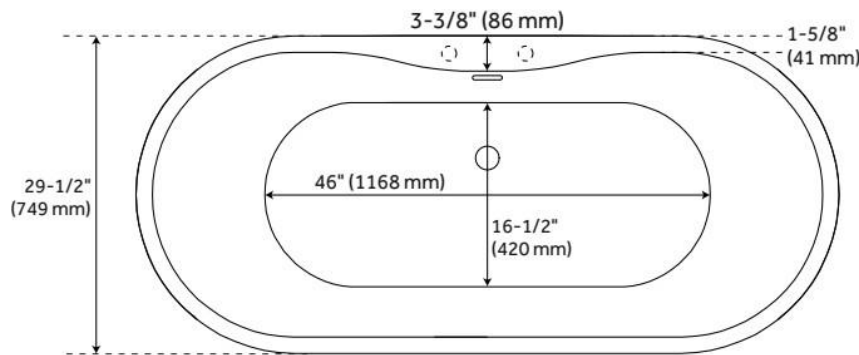
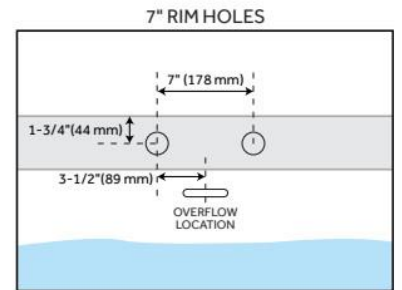
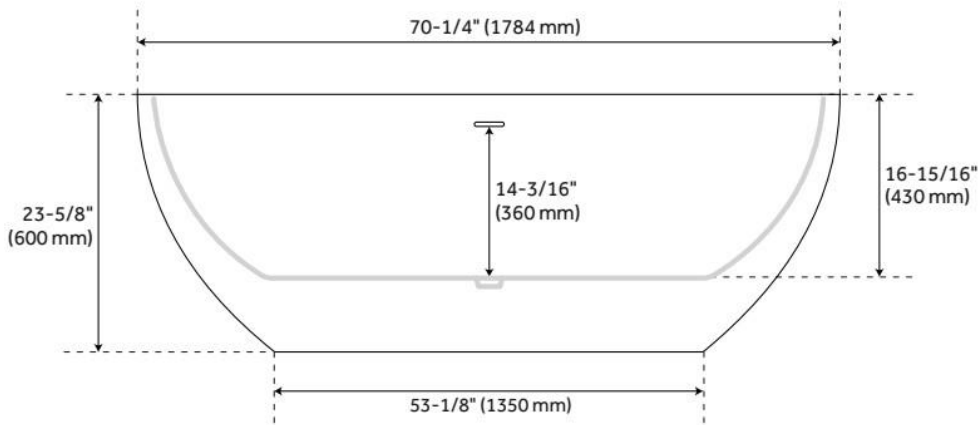
- All dimensions are ($\pm 1/2$ ").
- Formed of two 3.8mm acrylic sheets, the air between acting as a thermal insulator.
- Air tub features 12 air jets that massage and relax. Remote control works within 15-foot radius and is designed to float. Tub and air system come fully assembled.
- Back of tub has a removable magnetic panel for easy access when installing deck-mount faucet.
- Before drilling for a rim-mounted faucet, refer to the specification sheet for faucet location and dimensions.
- Optional Quick Connect Drop-In Drain Kit Includes:
 - Floor Plate, 1-1/2" PVC Pipe, 2" x 1-1/2" Trap Adapters, 1 Brass Threaded, 1 Brass Unthreaded Tailpiece and Plug.
 - Installs above your subfloor, but underneath your cement floor or tile, so you do not need access below the fixture.

REVISED 6/19/2024

70" BOYCE ACRYLIC TUB - AIR MASSAGE

SKU: 925339-70-AIR

Code: SH481164, SH481171



REVISED 6/19/2024

70" BOYCE ACRYLIC TUB - AIR MASSAGE

SKU: 925339-70-AIR

Code: SH481164, SH481171

COMPONENTS LIST

- BM-TWP BALL CHECK VALVE JETS
- MANI-SD-A SECURITY DEVICE
- MAN-A-4-AC MANIFOLD
- SILVER SLS+ VARIABLE SPEED BLOWER

INSTALLATION

Install blower behind a wall (with an access panel) or in a closet. Blower can also be installed under floor. Ensure the security device, MANI-DS-A, is at least:

- 2" Above the tub rim

Security device and hose can be mounted in wall

REMOTE CONTROL

- CG+/RTC-SENSOR-WP
- 12 – 15 YEAR BATTERY LIFE

INSIDE OF BATH

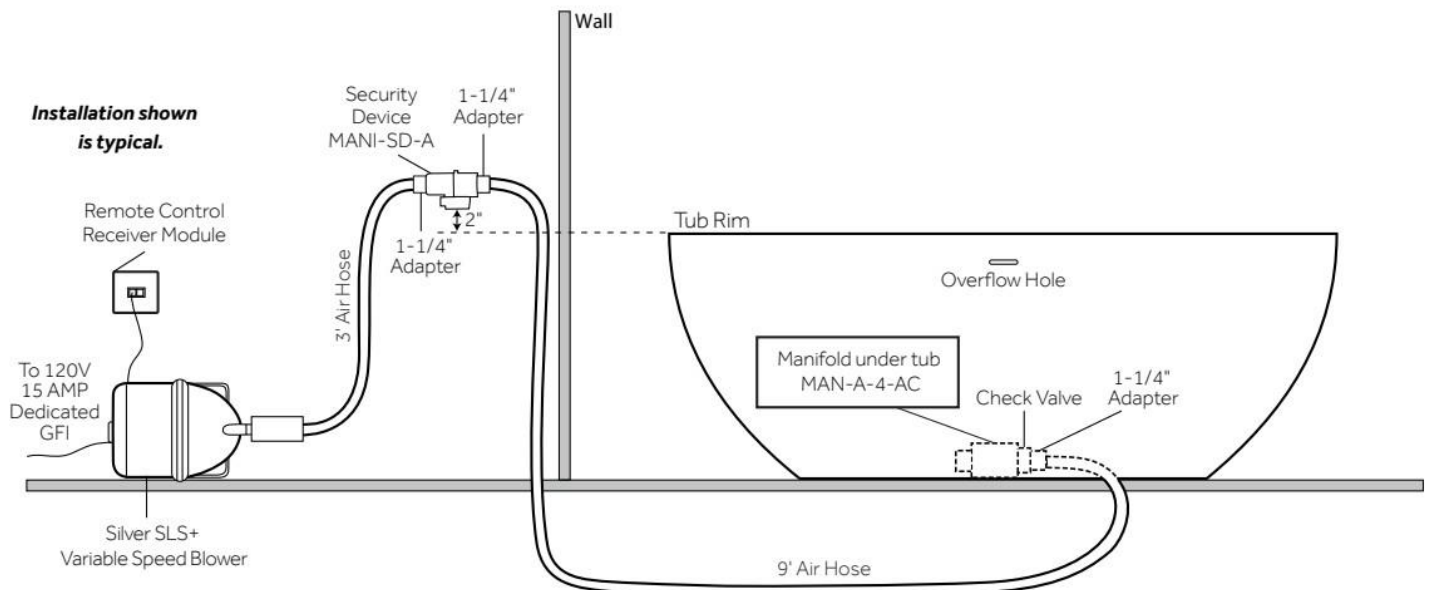
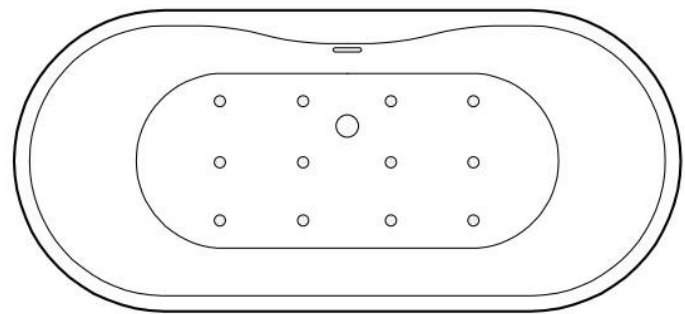
- (12) MAXI AIR JETS WITH 24 OPENINGS



ELBOWS FOR
AIR JETS



TEES FOR
AIR JETS



REVISED 6/19/2024