

# 66" SHEBA ACRYLIC SLIPPER TUB

SKU: 925341-66

Code: SH483535, SH484669



LISTED ID: SHSBFSOSS6632WH



## FEATURES

Features: Integral Drain & Overflow

Design: Modern

Product Finish: White

Material: Acrylic

Length: 66"

Width: 32"

Height: 29-1/8"

Overflow Hole: Yes

Water Depth To Overflow: 15-3/8"

Exterior Treatment: Smooth

Interior Treatment: Smooth

Drain Included: Yes

Drain Finish: White

Faucet Included: No

Shape: Oval

Water Depth to Rim: 17-3/4"

Size: 66"

Tub Overflow: Yes

Integral Drain & Overflow: Yes

Tub Material: Acrylic

Tub Interior Length: 46-1/2"

Tub Interior Width: 21-5/8"

Tap Deck: No

Faucet Drillings: No Drillings

Built-In Adjusters: Yes

Tub Weight Uncrated (lbs): 110

Tub Weight Crated (lbs): 265

Recommended Accessories: 7845161

REVISED 8/22/2023

# 66" SHEBA ACRYLIC SLIPPER TUB

SKU: 925341-66

Code: SH483535, SH484669

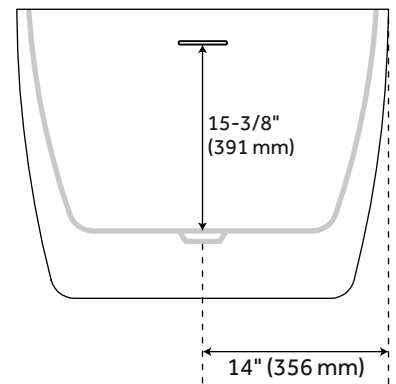
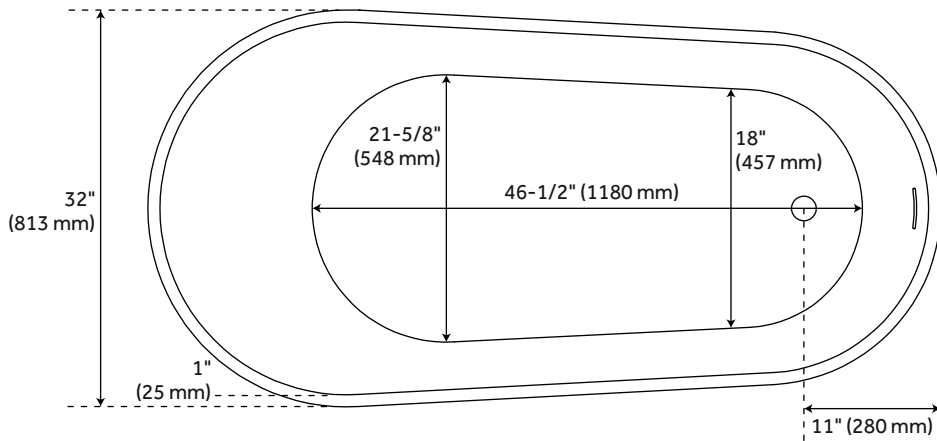
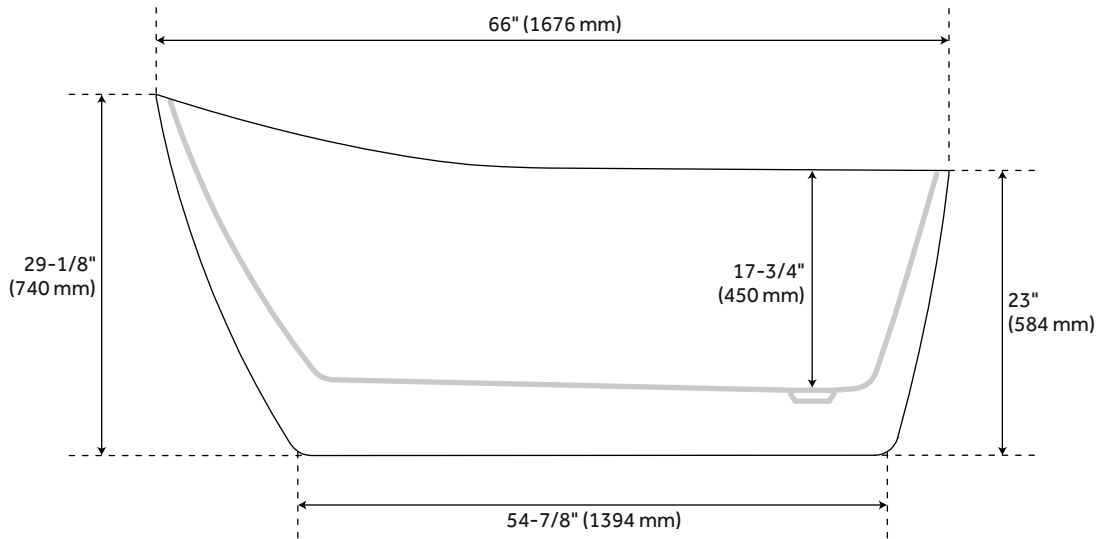


## ADDITIONAL FEATURES

- All dimensions are ( $\pm 1/2$ ").
- Formed of two acrylic sheets, the air between acting as thermal insulator.
- Insulation option: increases heat retention and prevents condensation due to water and air temperature fluctuations.
- Optional Quick Connect Drop-In Drain Kit Includes:
  - Floor Plate, 1-1/2" PVC Pipe, 2" x 1-1/2" Trap Adapters, 1 Brass Threaded, 1 Brass Unthreaded Tailpiece and Plug.
  - Installs above your subfloor, but underneath your cement floor or tile, so you do not need access below the fixture.

REVISED 8/22/2023

# 66" SHEBA ACRYLIC SLIPPER TUB



All dimensions and specifications are nominal and may vary. Use actual products for accuracy in critical situations.