

# 66" SHEBA ACRYLIC SLIPPER TUB

SKU: 925387-66

Code: SH483535, SH484669



## FEATURES

Tub Material: Acrylic  
Product Finish: White  
Shape: Oval  
Tub Drain Placement: End  
Drain Included: Yes  
Drain and Overflow Finish: White  
Water Depth to Overflow: 15-3/8"  
Water Capacity (Gallons): 68  
Built-In Adjusters: Yes  
Tub Weight Uncrated (lbs): 110  
Optional Accessory: 428473

CSA B45.5/IAPMO Z124, Massachusetts Accepted, LISTED ID: SHSBFSOSS6632x\*



## ADDITIONAL FEATURES

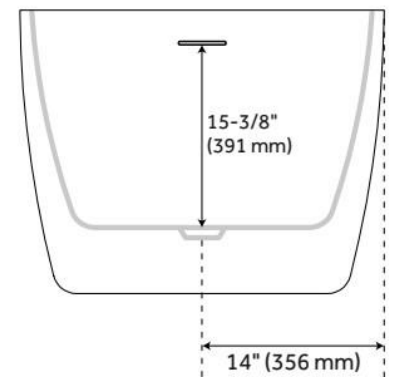
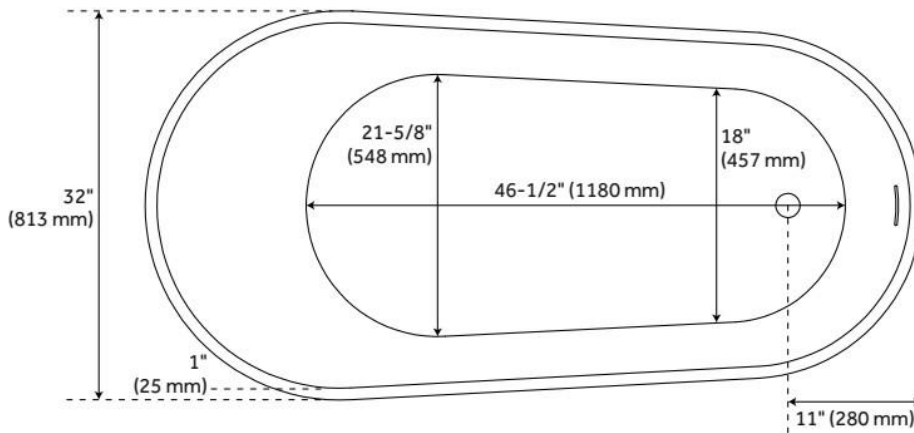
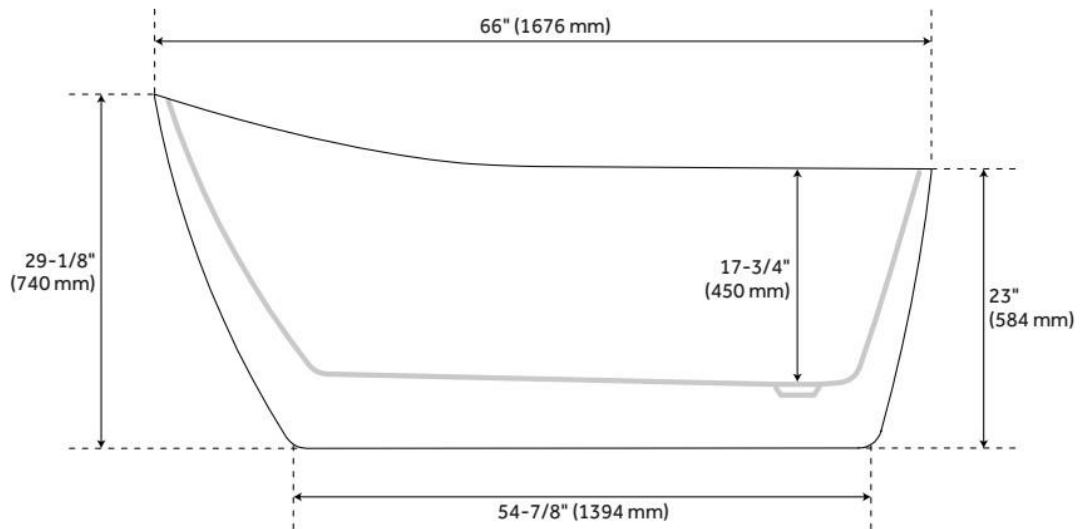
- All dimensions are ( $\pm 1/2$ ").
- Formed of two acrylic sheets, the air between acting as thermal insulator.
- Insulation option: increases heat retention and prevents condensation due to water and air temperature fluctuations.
- Optional Quick Connect Drop-In Drain Kit Includes:
  - Floor Plate, 1-1/2" PVC Pipe, 2" x 1-1/2" Trap Adapters, 1 Brass Threaded, 1 Brass Unthreaded Tailpiece and Plug.
  - Installs above your subfloor, but underneath your cement floor or tile, so you do not need access below the fixture.

REVISED 7/24/2025

# 66" SHEBA ACRYLIC SLIPPER TUB

SKU: 925387-66

Code: SH483535, SH484669



REVISED 7/24/2025