

EFFENDI LINEAR SHOWER DRAIN WITH DRAIN FLANGE

SKU: 926148-F

Code: SH398149, SH414146, SH443334, SH398150, SH414153, SH443335, SH398151, SH414156, SH443336, SH398152, SH414161, SH443337, SH398153, SH414165, SH443338, SH398154, SH414169, SH443339, SH398155, SH414176, SH443340, SH398156, SH415626, SH443341, SH398157, SH415627, SH443342, SH398158, SH415628, SH443343, SH398159, SH443346, SH398160, SH443347, SH398161, SH443348, SH398162, SH443349, SH443352, SH443353



FEATURES

Material: Stainless Steel

LISTED ID: SH439001*, 514126, 513981, SH439068*, 514142, 513976



ADDITIONAL FEATURES

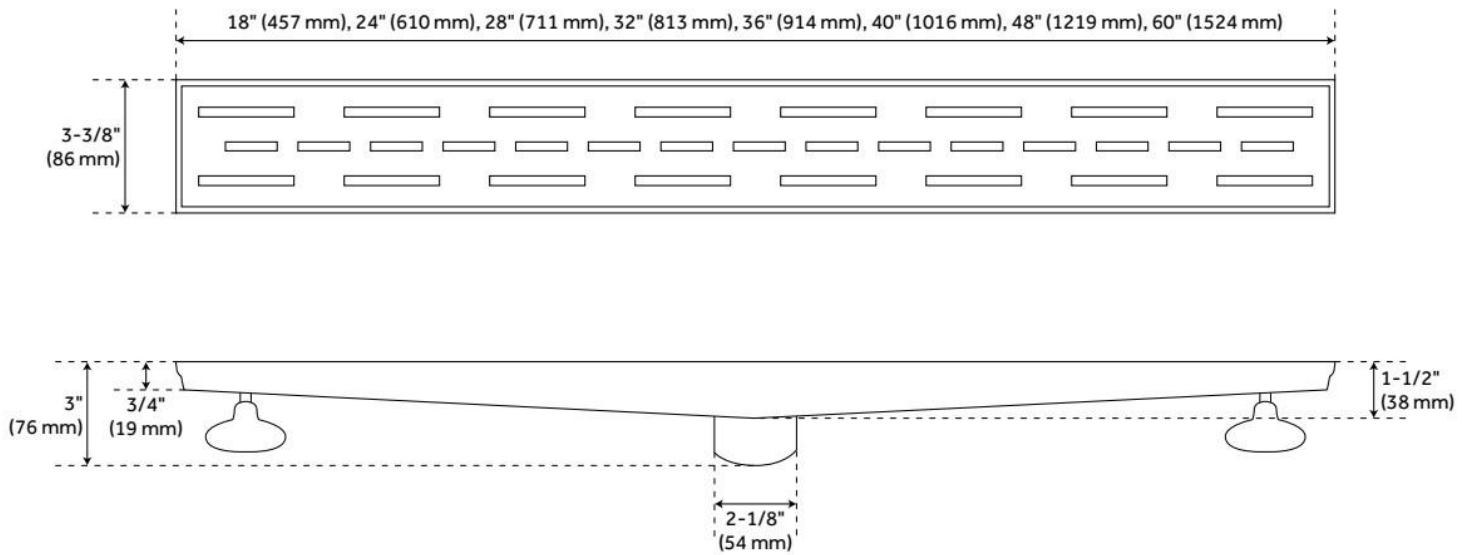
- Includes the drain flange and coupling.
- Tapered bottom outlet and removable grate.
- Drain hole measures 2" diameter.
- Product is made of 304 stainless steel.
- Features a removable hair strainer basket.

REVISED 2/14/2025

EFFENDI LINEAR SHOWER DRAIN WITH DRAIN FLANGE

SKU: 926148-F

Code: SH398149, SH414146, SH443334, SH398150, SH414153, SH443335, SH398151, SH414156, SH443336, SH398152, SH414161, SH443337, SH398153, SH414165, SH443338, SH398154, SH414169, SH443339, SH398155, SH414176, SH443340, SH398156, SH415626, SH443341, SH398157, SH415627, SH443342, SH398158, SH415628, SH443343, SH398159, SH443346, SH398160, SH443347, SH398161, SH443348, SH398162, SH443349, SH443352, SH443353



REVISED 2/14/2025

PVC DRAIN FLANGE COUPLING

SKU: 399922
Code: SH399922

FEATURES

Material: PVC



ASME A112.18.2/CSA B125.2, Massachusetts Accepted, LISTED ID: SH439001*



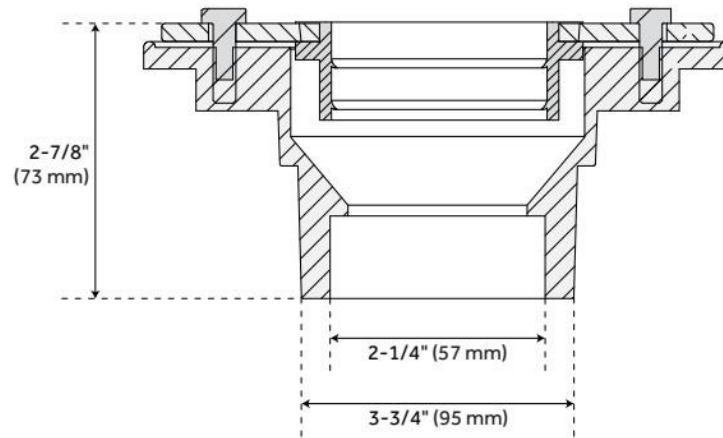
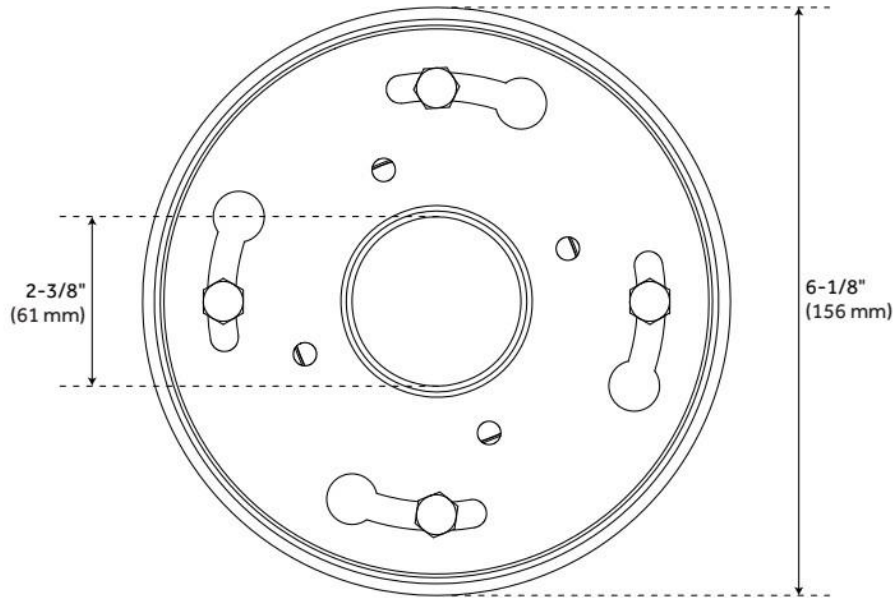
ADDITIONAL FEATURES

- Used to connect a flexible, rubber membrane between flooring and tile shower floor.
- Connects 2-1/8" shower drain to waste pipe. Fits over 2-1/8" and inside 3" pipe.
- Includes rubber gasket.
- Made for use with Carmen (928028 & 927531), Cohen (927530 & 928029), Effendi (926148 & 928027), Loup (926146), Ortiz (928030), Siewart (926145), Thornton (928026), Reid (917170), or Werner (926147) Shower Drain, sold separately.

REVISED 2/13/2025

PVC DRAIN FLANGE COUPLING

SKU: 399922
Code: SH399922



REVISED 2/13/2025