

# LABELLE THERMOSTATIC DUAL SHOWER SYSTEM - HAND SHOWER AND 3 JETS

SKU: 926300

Code: SH399556, SH399557, SH399558, SH403286, SH403287, SH403288, SH403289, SH403290, SH403291, SH403292, SH403293, SH403294



## FEATURES

Material: Brass

Diverter Outlets: 3

Cartridge Type: Thermostatic

LISTED ID: 515395, 518590, 518595, 518624, 518650, 515394, 518591, 518599, 518625, 518651, 515396, 518592, 518626, 518652, 515402, 515401, 515399, 515398, 515391, 515404, 515403, 515405



## ADDITIONAL FEATURES

- Shower system includes two ceiling mount rainfall shower heads, wall-mount slide bar with hand shower, hand shower water connection, three body jets and a thermostatic 3-way in-wall diverter.
- Thermostatic technology keeps shower temperature  $\pm 1$  degree Celsius.
- Hand shower water connection features a 1/2" IPS connection.
- 3-way diverter features 1/2" IPS inlets, and controls water flow between 3 shower outlets.
- Diverter includes the valve and metal lever handles.
- Slide bar center-to-center measurement: 23-1/2".
- Slide bar overall height: 25-7/8".
- Slide bar base plate diameter: 2-3/8".
- Slide bar has 1" outside diameter.
- Hand shower spray area: 3/4" W x 1-3/4" L.
- The valve included with this system can be arranged to run two spray functions simultaneously.

REVISED 5/28/2024

# 4-WAY THERMOSTATIC VALVE

SKU: 940104

Code: SH421521, SH421520, SH421519



## FEATURES

Diverter Outlets: 4

Cartridge Type: Thermostatic

ASME A112.18.1/CSA B125.1, ASSE 1016 Type T, LISTED ID: 518650, 518651, 518652



## ADDITIONAL FEATURES

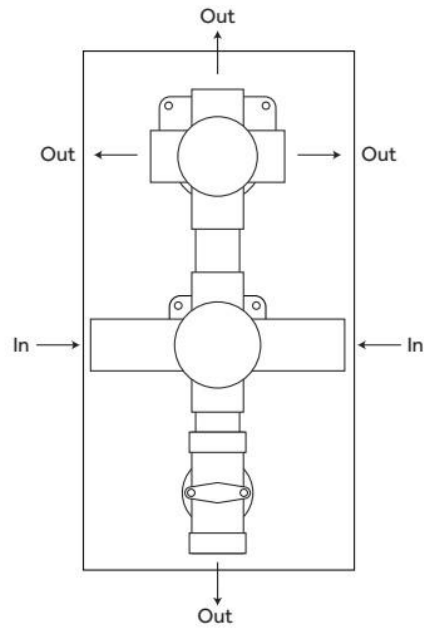
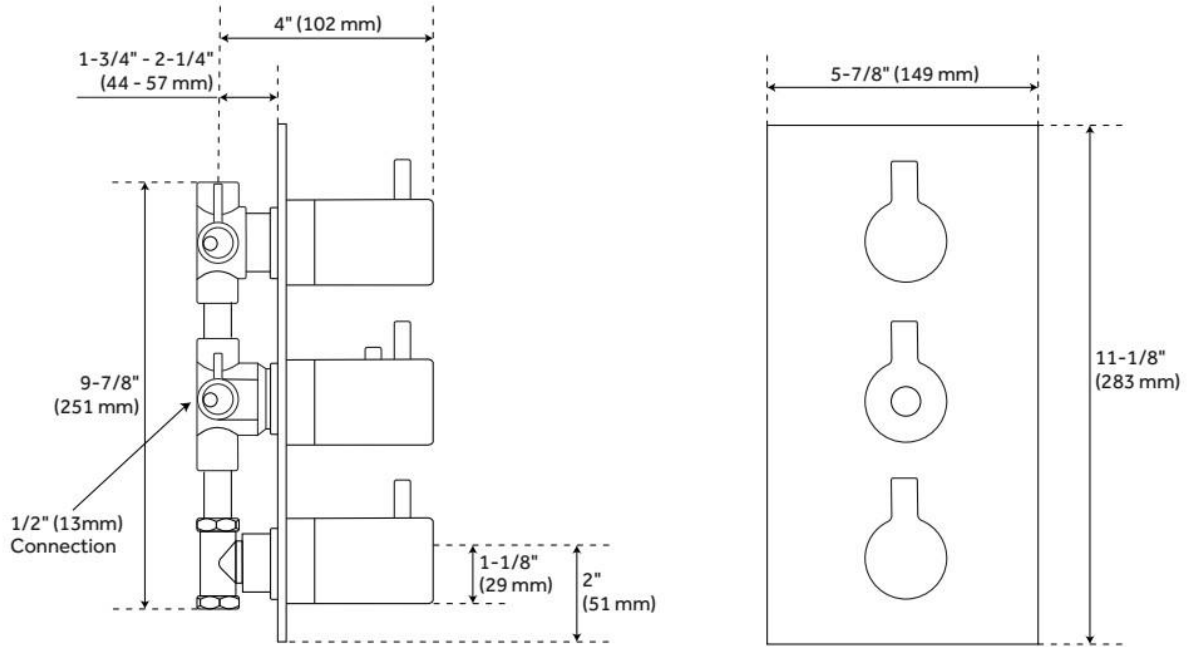
- Thermostatic technology keeps shower temperature  $\pm 1$  degree Celsius.
- The valve included with this system can be arranged to run two spray functions simultaneously.

REVISED 5/28/2024

# 4-WAY THERMOSTATIC VALVE

SKU: 940104

Code: SH421521, SH421520, SH421519



REVISED 5/28/2024

# PERRY SLIDE BAR AND RECTANGULAR MODERN HAND SHOWER

SKU: 922514

Code: SH350733, SH350732, SH350734



## FEATURES

Material: Brass

Hand Shower Spray: Full

Hand Shower Flow Rate: 2.0 gpm (7.6 L/min) @ 80 psi

LISTED ID: 518595, 518599



## ADDITIONAL FEATURES

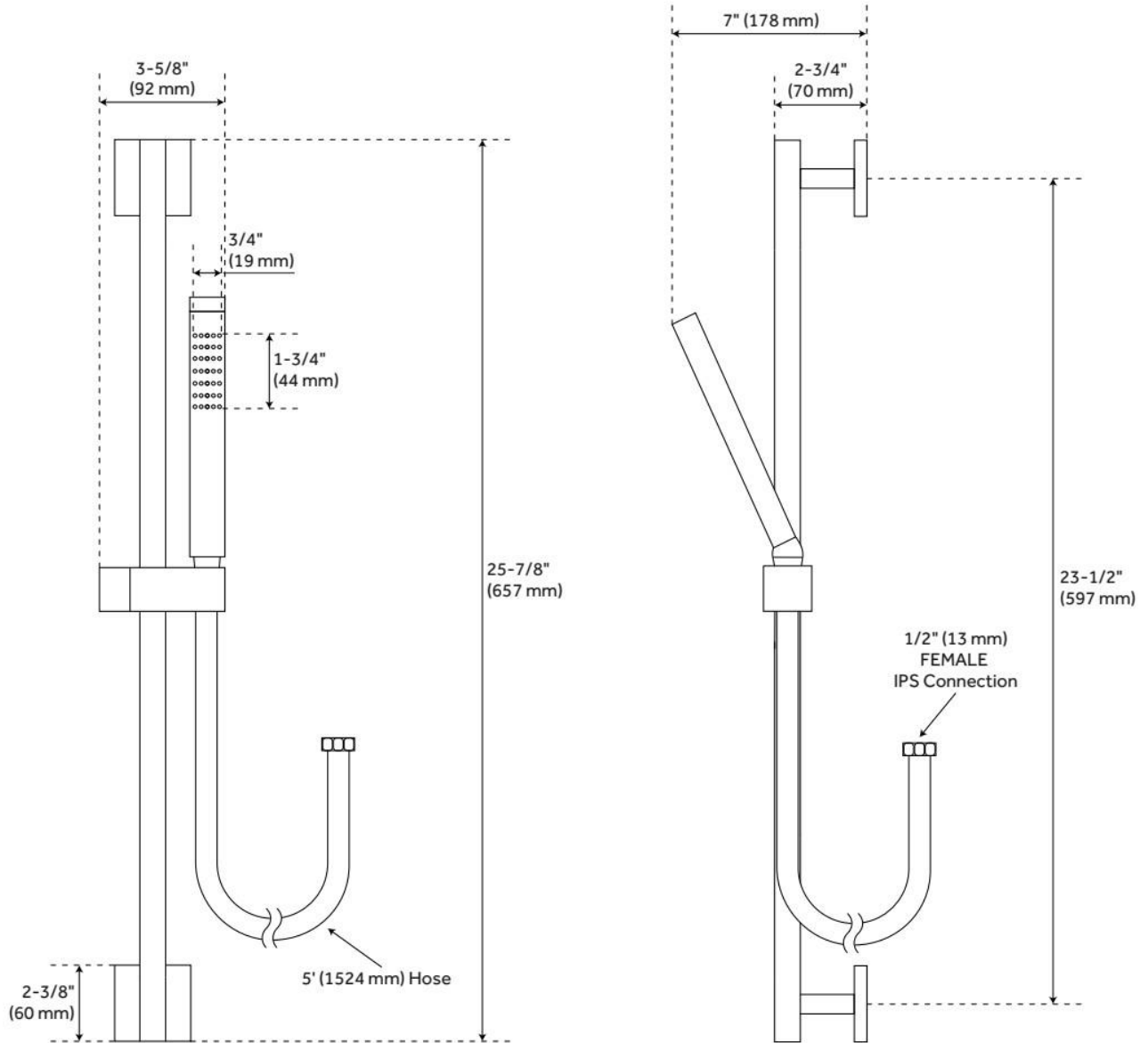
- Slide bar base plate diameter: 2-3/8".
- Slide bar has 1" outside diameter.
- Hand shower spray area: 3/4" W x 1-3/4" L.

REVISED 5/28/2024

# PERRY SLIDE BAR AND RECTANGULAR MODERN HAND SHOWER

SKU: 922514

Code: SH350733, SH350732, SH350734



REVISED 5/28/2024

# 1/2" SQUARE WATER SUPPLY ELBOW FOR HAND SHOWER

SKU: 922511

Code: SH350724, SH350726

## FEATURES

Material: Brass

Connection Type: 1/2" NPT



ASME A112.18.1/CSA B125.1, LISTED ID: 518591, 518592

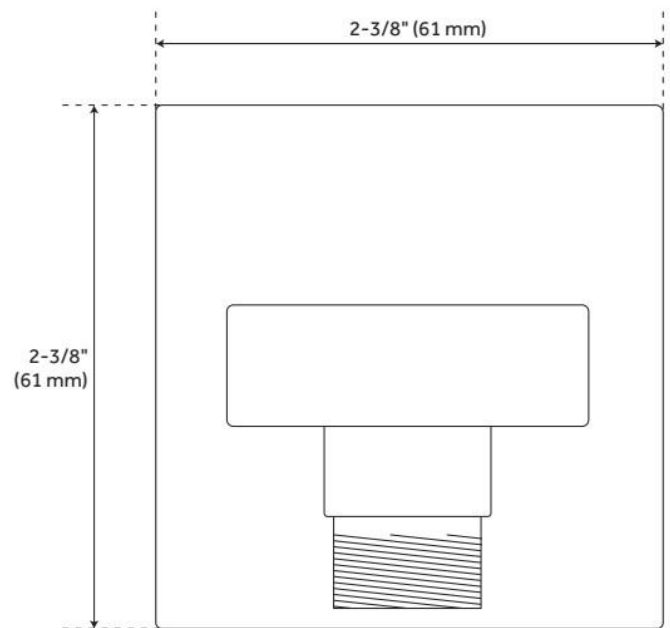
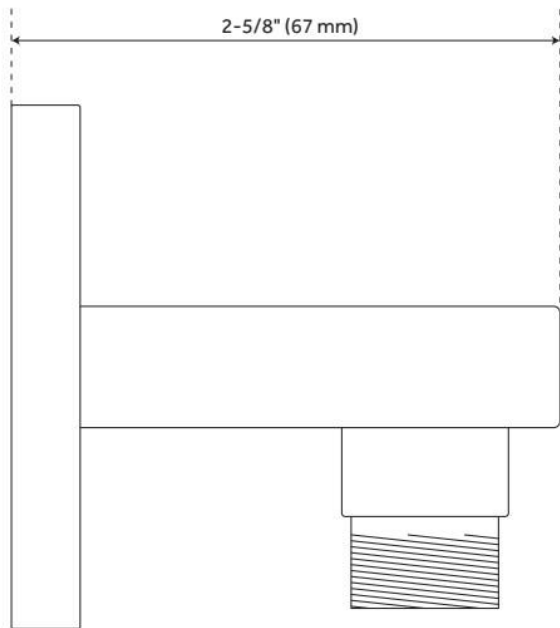


REVISED 5/28/2024

# 1/2" SQUARE WATER SUPPLY ELBOW FOR HAND SHOWER

SKU: 922511

Code: SH350724, SH350726



REVISED 5/28/2024

# BOSTONIAN RAINFALL NOZZLE SHOWER HEAD

SKU: 926392

Code: SH250950, SH250941, SH250942, SH250953, SH250944, SH250947, SH250954, SH250946, SH482193, SH250949, SH250951, SH482194, SH250948, SH250956, SH482191, SH250945, SH482192, SH250943, SH250940, SH250958, SH250955, SH250959



## FEATURES

Material: Brass

LISTED ID: 515394, 515395, 515396, 564662, 515397, 564663, 515398, 564664, 515399, 564665, 515401, 515402, 515403, 515404, 515405



## ADDITIONAL FEATURES

Can be installed on a ceiling-mount or wall mount shower arm. 6", 8" and 10" shower heads are adjustable and feature a swivel connection. 12" shower head is stationary and does not swivel.

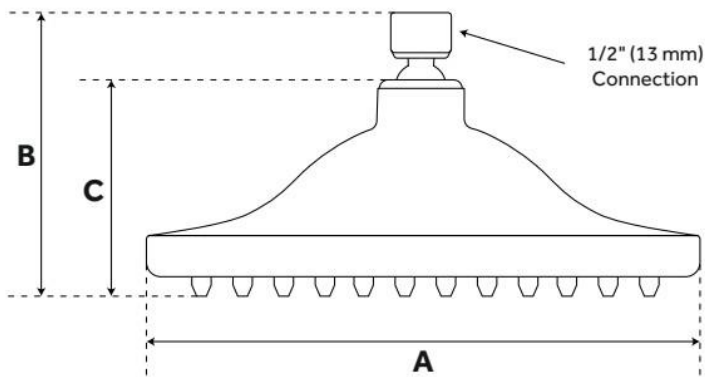
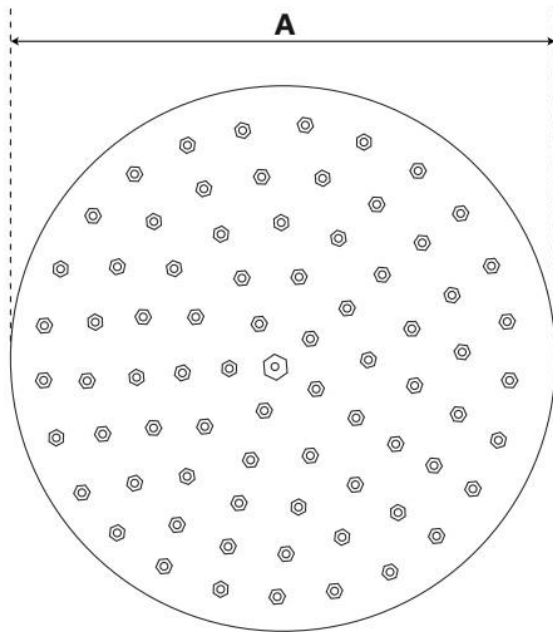
REVISED 5/28/2024



# BOSTONIAN RAINFALL NOZZLE SHOWER HEAD

SKU: 926392

Code: SH250950, SH250941, SH250942, SH250953, SH250944, SH250947, SH250954, SH250946, SH482193, SH250949, SH250951, SH482194, SH250948, SH250956, SH482191, SH250945, SH482192, SH250943, SH250940, SH250958, SH250955, SH250959



Reference A	Reference B	Reference C
5-1/4" (133 mm)	3" (76 mm)	2" (51 mm)
7-3/4" (197 mm)	3-1/2" (89 mm)	2-1/2" (64 mm)
10" (254 mm)	3-1/2" (89 mm)	3" (76 mm)
12" (305 mm)	4-1/4" (108 mm)	3-1/4" (83 mm)

REVISED 5/28/2024

# SQUARE SWIVEL BODY SPRAY

SKU: 922506

Code: SH350717, SH350716, SH350718



## FEATURES

Material: Brass

Shower Head Swivel: Yes

Flow Rate: 2.0 gpm (7.6 L/min) @ 80 psi

Connection Type: 1/2" IPS

ASME A112.18.1/CSA B125.1, LISTED ID: 518624, 518625, 518626



## ADDITIONAL FEATURES

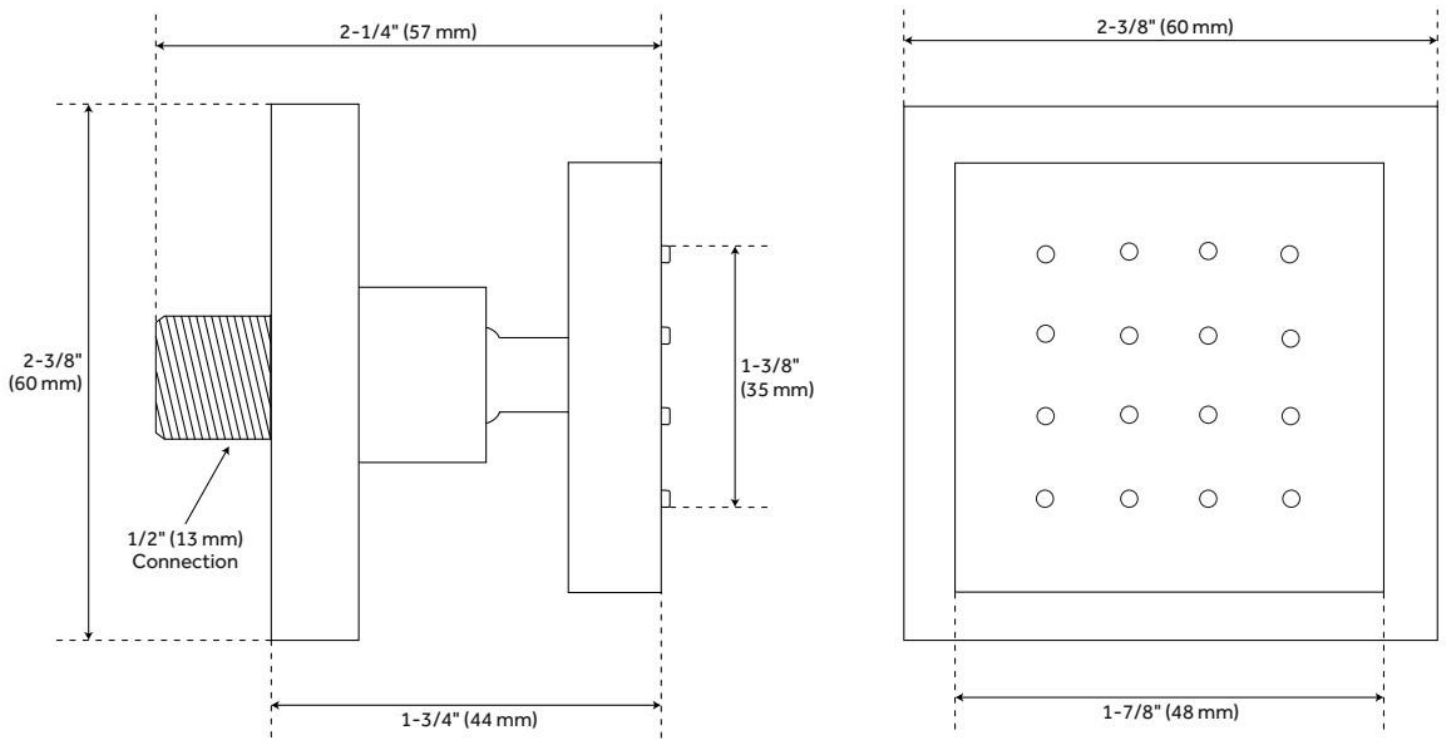
- Overall dimensions: 2-3/8" L x 2-3/8" H.
- Projects 1-3/4" from wall.
- Spray area measures: 1-3/8" L x 1-3/8" H.
- Easy-to-clean silicone nozzles.
- Metal ball joint allows for swivel function.
- Wall mount.
- 1/2" NPT male thread inlet.
- Made of solid brass.
- Sold individually.

REVISED 5/24/2024

# SQUARE SWIVEL BODY SPRAY

SKU: 922506

Code: SH350717, SH350716, SH350718



REVISED 5/24/2024

# CEILING-MOUNT SHOWER ARM

---

SKU: 904194

Code: SH153843, SH153845, SH153846, SH156379, SH158882, SH158883, SH158884

## FEATURES

Material: Brass

Connection Type: 1/2" NPT



## ADDITIONAL FEATURES

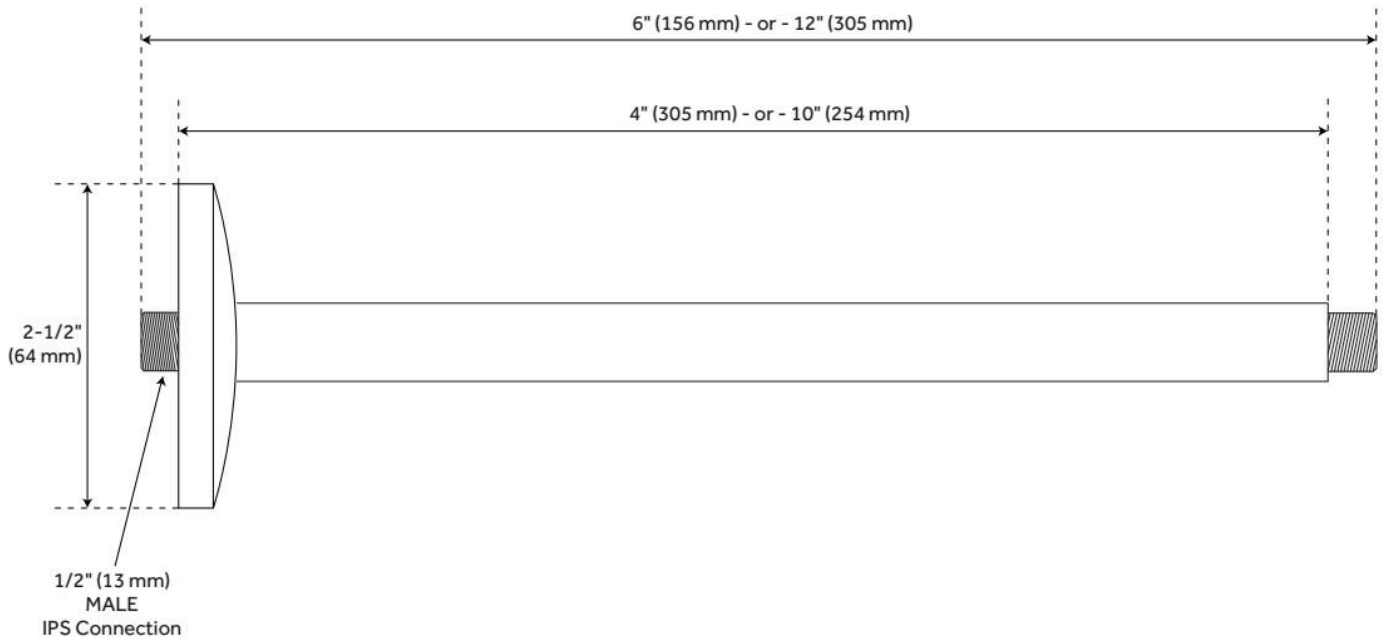
- Includes matching flange.

REVISED 5/24/2024

# CEILING-MOUNT SHOWER ARM

SKU: 904194

Code: SH153843, SH153845, SH153846, SH156379, SH158882, SH158883, SH158884



REVISED 5/24/2024