

BOSTONIAN RAINFALL NOZZLE SHOWER SET - CLASSIC LEVER HANDLE

SKU: 926351

Code: SH402868, SH402870, SH402871, SH402873, SH402874, SH402876



FEATURES

Material: Brass

LISTED ID: 514910, 515398, 515397, 515395, 515396, 515403, 515405



REVISED 6/12/2024

BOSTONIAN RAINFALL NOZZLE SHOWER HEAD

SKU: 926392

Code: SH250950, SH250941, SH250942, SH250953, SH250944, SH250947, SH250954, SH250946, SH482193, SH250949, SH250951, SH482194, SH250948, SH250956, SH482191, SH250945, SH482192, SH250943, SH250940, SH250958, SH250955, SH250959



FEATURES

Material: Brass

LISTED ID: 515394, 515395, 515396, 564662, 515397, 564663, 515398, 564664, 515399, 564665, 515401, 515402, 515403, 515404, 515405



ADDITIONAL FEATURES

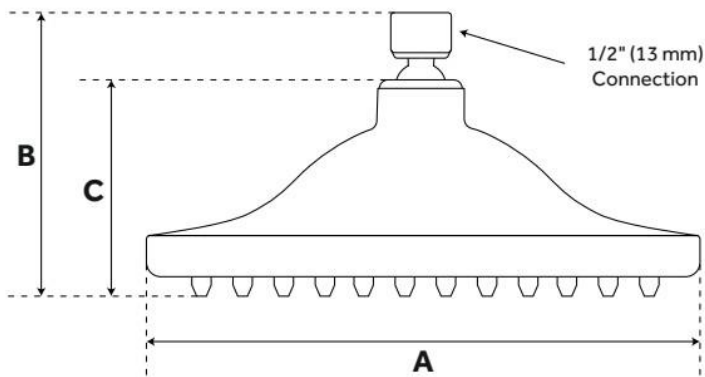
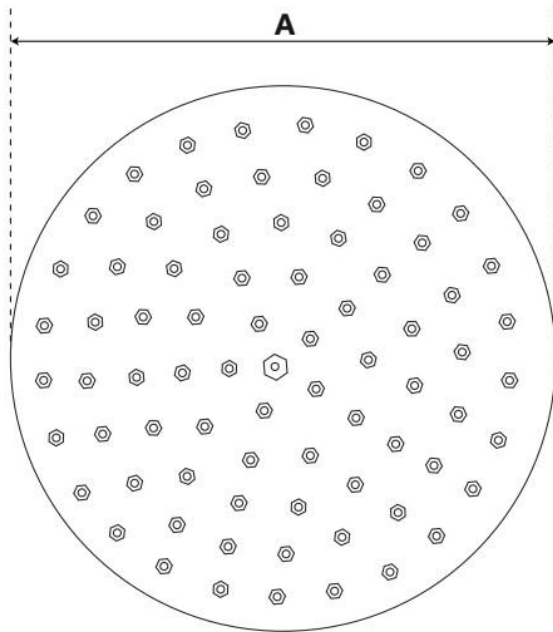
- Can be installed on a ceiling-mount or wall mount shower arm.
 - 6", 8" and 10" shower heads are adjustable and feature a swivel connection.
 - 12" shower head is stationary and does not swivel.

REVISED 6/5/2024

BOSTONIAN RAINFALL NOZZLE SHOWER HEAD

SKU: 926392

Code: SH250950, SH250941, SH250942, SH250953, SH250944, SH250947, SH250954, SH250946, SH482193, SH250949, SH250951, SH482194, SH250948, SH250956, SH482191, SH250945, SH482192, SH250943, SH250940, SH250958, SH250955, SH250959



Reference A	Reference B	Reference C
5-1/4" (133 mm)	3" (76 mm)	2" (51 mm)
7-3/4" (197 mm)	3-1/2" (89 mm)	2-1/2" (64 mm)
10" (254 mm)	3-1/2" (89 mm)	3" (76 mm)
12" (305 mm)	4-1/4" (108 mm)	3-1/4" (83 mm)

REVISED 6/5/2024

CONTEMPORARY PRESSURE BALANCE SHOWER VALVE - BRUSHED NICKEL

SKU: 399502
Code: SH399502



FEATURES

Material: Brass

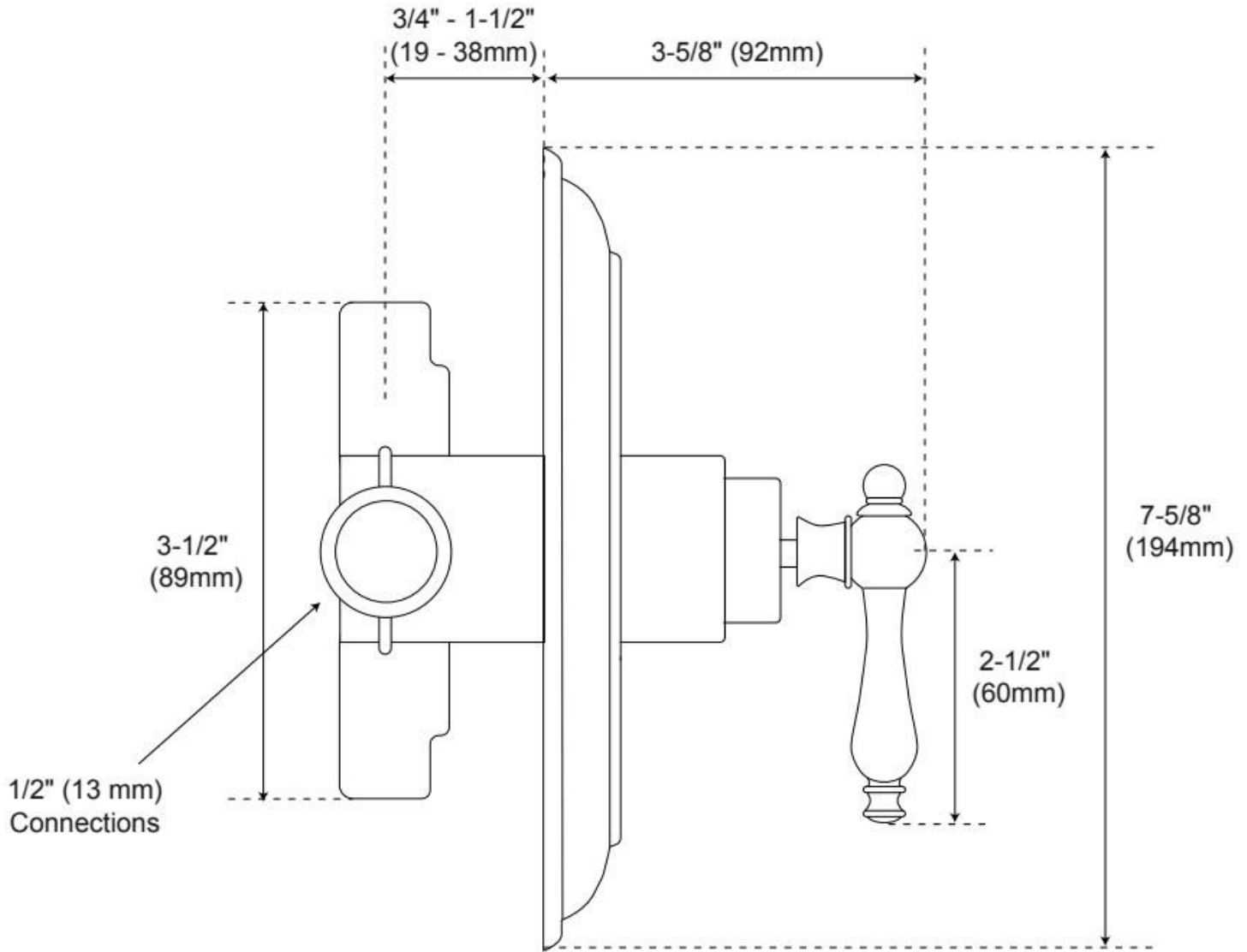
IAPMO, ASME A112.18.1/CSA B125.1, ASSE 1016 Type P, LISTED ID: 514910



REVISED 6/12/2024

CONTEMPORARY PRESSURE BALANCE SHOWER VALVE - BRUSHED NICKEL

SKU: 399502
Code: SH399502



REVISED 6/12/2024

17" VICTORIAN SHOWER ARM

SKU: 903288

Code: SH153841, SH153842, SH198277, SH215223

FEATURES

Material: Brass

Connection Type: 1/2" NPT

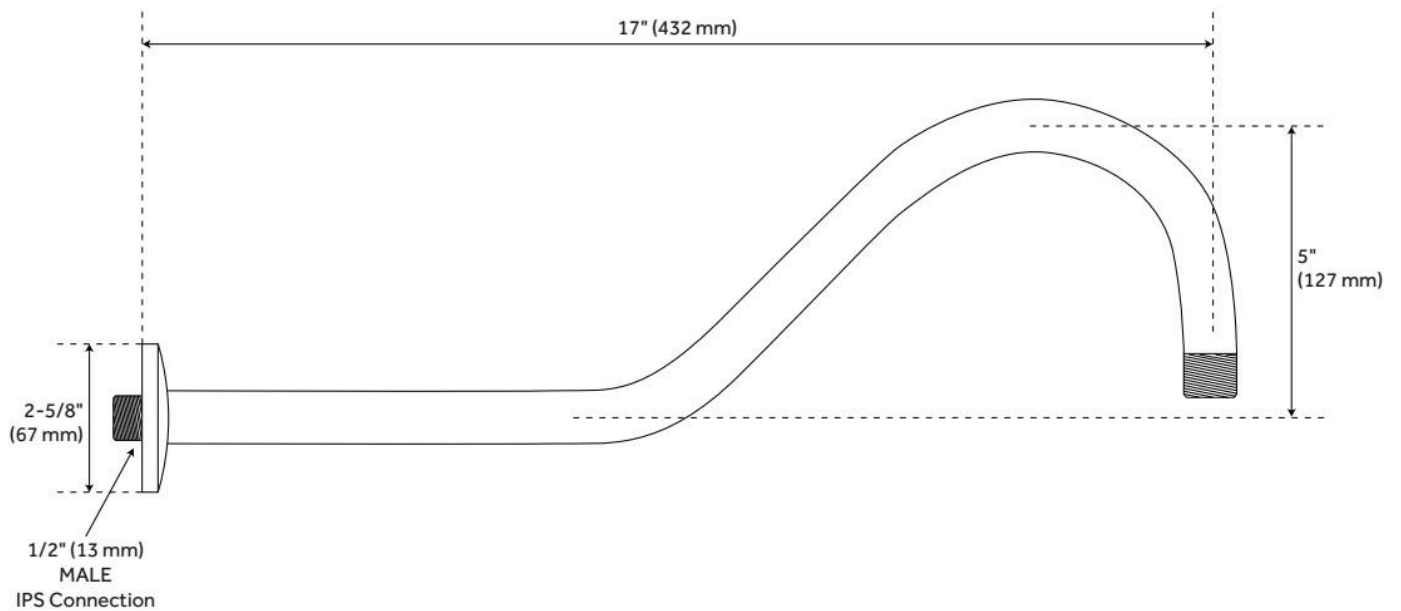


REVISED 6/5/2024

17" VICTORIAN SHOWER ARM

SKU: 903288

Code: SH153841, SH153842, SH198277, SH215223



REVISED 6/5/2024