

SET - DISPOSER FLANGE WITH STOPPER AND STRAINER BASKET WITH LIFT STOPPER - 3-1/2"

SKU: 926724
Code: SH162, SH171

FEATURES

Material: Brass
Fits Drain Hole Size: 3-1/2"



ADDITIONAL FEATURES

- Disposer Flange Details:
- Not compatible with fireclay or marble sinks.
- Flange made of solid brass, except Stainless Steel, which is made of Stainless Steel with a PVD finish.
- Includes stopper.
- Fits most InSinkErator disposals and continuous feed three-bolt disposers with 3-3/8" I.D.
- Disposer flange measures 1-5/8" deep overall and fits sinks up to 5/8" thick.
- Disposer flange does not have threads.

REVISED 7/12/2024

DISPOSER FLANGE & STOPPER - 3-1/2"

SKU: 900406
Code: SH162

FEATURES

Material: Brass
Fits Drain Hole Size: 3-1/2"



ASME A112.18.2/CSA B125.2, Massachusetts Accepted, LISTED ID: SH162**



ADDITIONAL FEATURES

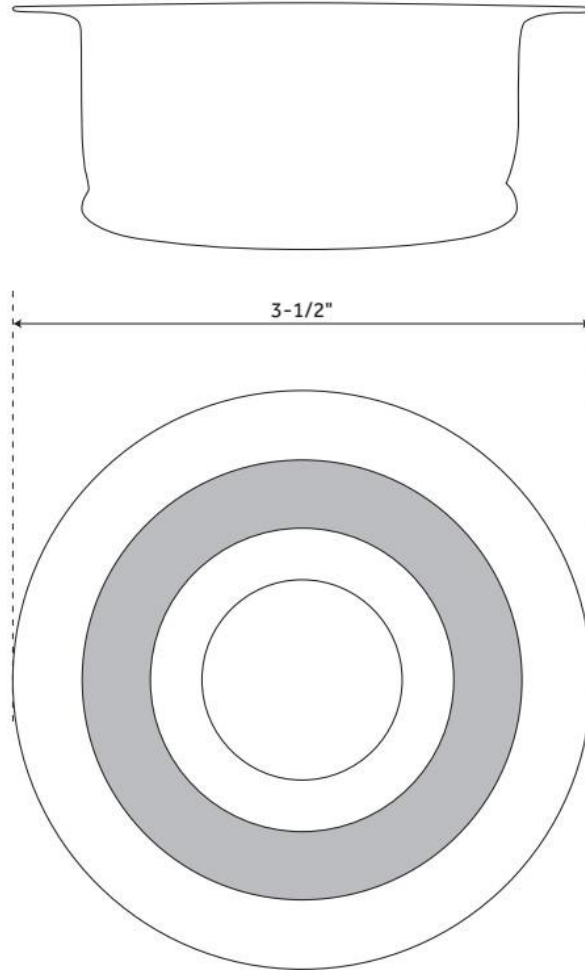
- Not compatible with fireclay or marble sinks.
- Flange made of solid brass, except Stainless Steel, which is made of Stainless Steel with a PVD finish.
- Includes stopper.
- Fits most InSinkErator disposals and continuous feed three-bolt disposers with 3-3/8" I.D.
- Disposer flange measures 1-5/8" deep overall and fits sinks up to 5/8" thick.
- Disposer flange does not have threads.

REVISED 7/12/2024

DISPOSER FLANGE & STOPPER - 3-1/2"

SKU: 900406

Code: SH162



REVISED 7/12/2024

STRAINER BASKET WITH LIFT STOPPER - 3-1/2"

SKU: 902367
Code: SH171



FEATURES

Material: Brass
Fits Drain Hole Size: 3-1/2"

ASME A112.18.2/CSA B125.2, Massachusetts Accepted, LISTED ID: SH171**



ADDITIONAL FEATURES

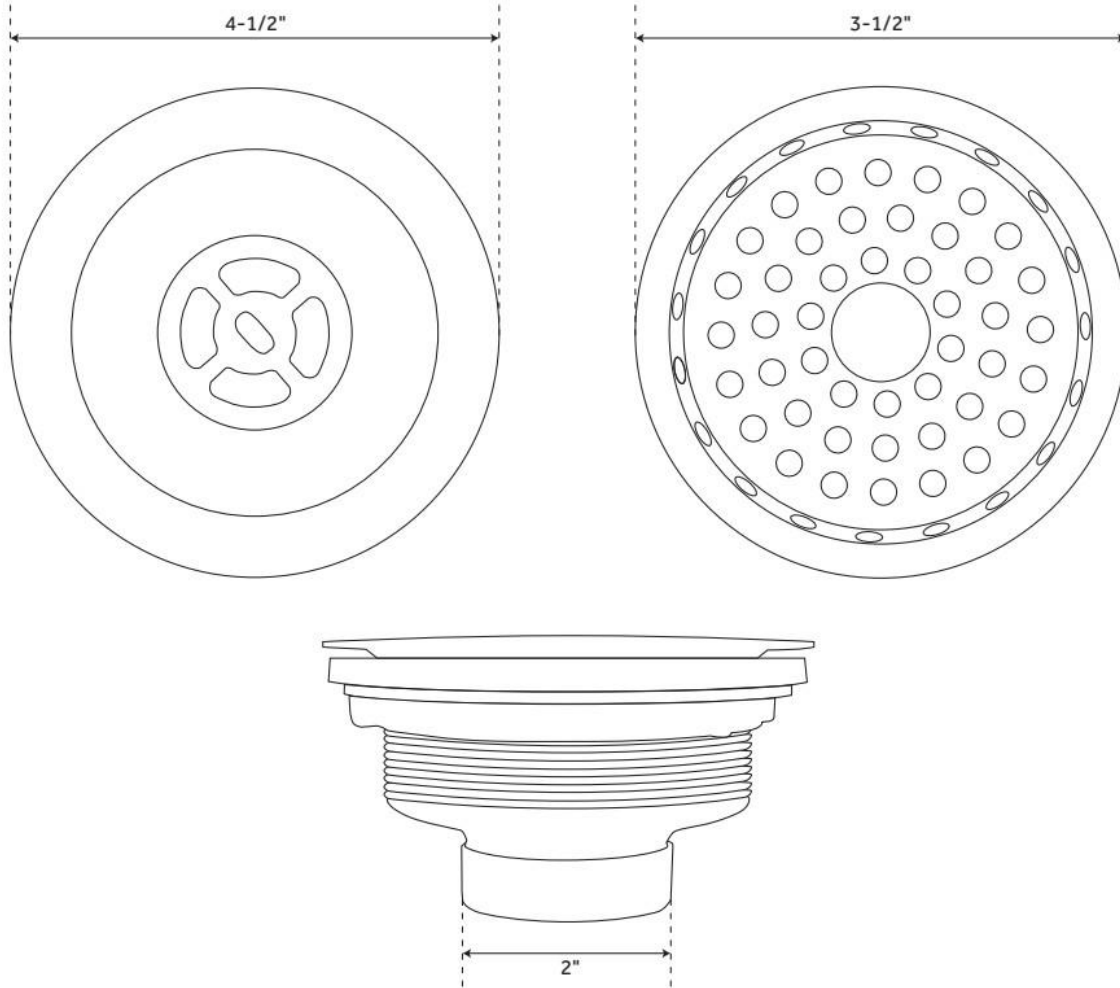
- Intended for use with 3-1/2" drain opening.
- Overall diameter: 4-3/8".

REVISED 7/12/2024

STRAINER BASKET WITH LIFT STOPPER - 3-1/2"

SKU: 902367

Code: SH171



REVISED 7/12/2024