

FREESTANDING TELEPHONE TUB FAUCET, SUPPLIES & VALVES - LEVER HANDLES

SKU: 926854

Code: SH402770, SH402777, SH402769, SH402768, SH402771, SH402778, SH402774, SH402773, SH402775, SH402776, SH402779



FEATURES

Material: Metal construction for strength and durability

Installation Type: Freestanding

Flow Rate: 13.3 gpm (50.3 L/min) @ 80 psi

Hand Shower Flow Rate: 1.8 gpm (6.8 L/min) @ 80 psi

Spray Type: Full

Cartridge Type: Ceramic Disc

Swivel Spout: No



ADDITIONAL FEATURES

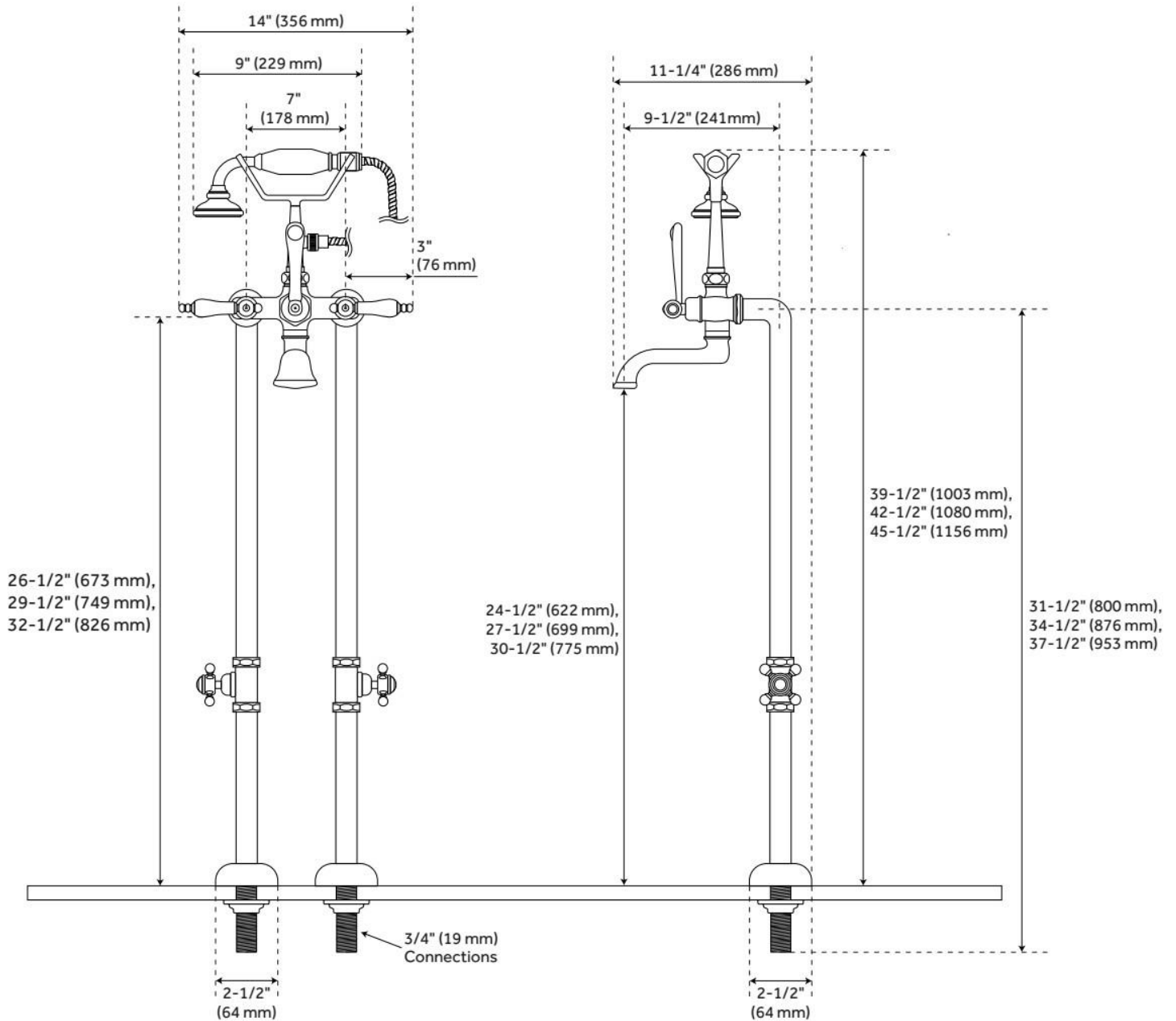
- 31-1/2" Water Supply Line Additional Measurements: Overall Height: 39-1/2" - Height to Spout: 24-1/2" - Height to Control Valve: 26-1/2"
- 34-1/2" Water Supply Line Additional Measurements: Overall Height: 42-1/2" - Height to Spout: 27-1/2" - Height to Control Valve: 29-1/2"
- 37-1/2" Water Supply Line Additional Measurements: Overall Height: 45-1/2" - Height to Spout: 30-1/2" - Height to Control Valve: 32-1/2"
- Freestanding design requires only under-floor supports. 4" of total height is below floor.
- Heavy duty, 3/4" ID, 1" OD brass pipe.
- Underfloor access is required for proper installation. Installation on a concrete slab will require cutting and concrete removal.

REVISED 5/13/2024

FREESTANDING TELEPHONE TUB FAUCET, SUPPLIES & VALVES - LEVER HANDLES

SKU: 926854

Code: SH402770, SH402777, SH402769, SH402768, SH402771, SH402778, SH402774, SH402773, SH402775, SH402776, SH402779



REVISED 5/13/2024