

TUB WALL-MOUNT TELEPHONE FAUCET & HAND SHOWER - LEVER HANDLE

SKU: 926860

Code: SH402570, SH402573, SH402572, SH402569, SH402571



FEATURES

Material: Metal construction for strength and durability

Installation Type: Tub Wall Mount

Flow Rate: 13.3 gpm (50.4 L/min) @ 80 psi

Hand Shower Flow Rate: 1.8 gpm (6.8 L/min) @ 80 psi

Spray Type: Full

Cartridge Type: Ceramic Disc

Swivel Spout: No

LISTED ID: SH441015*



ADDITIONAL FEATURES

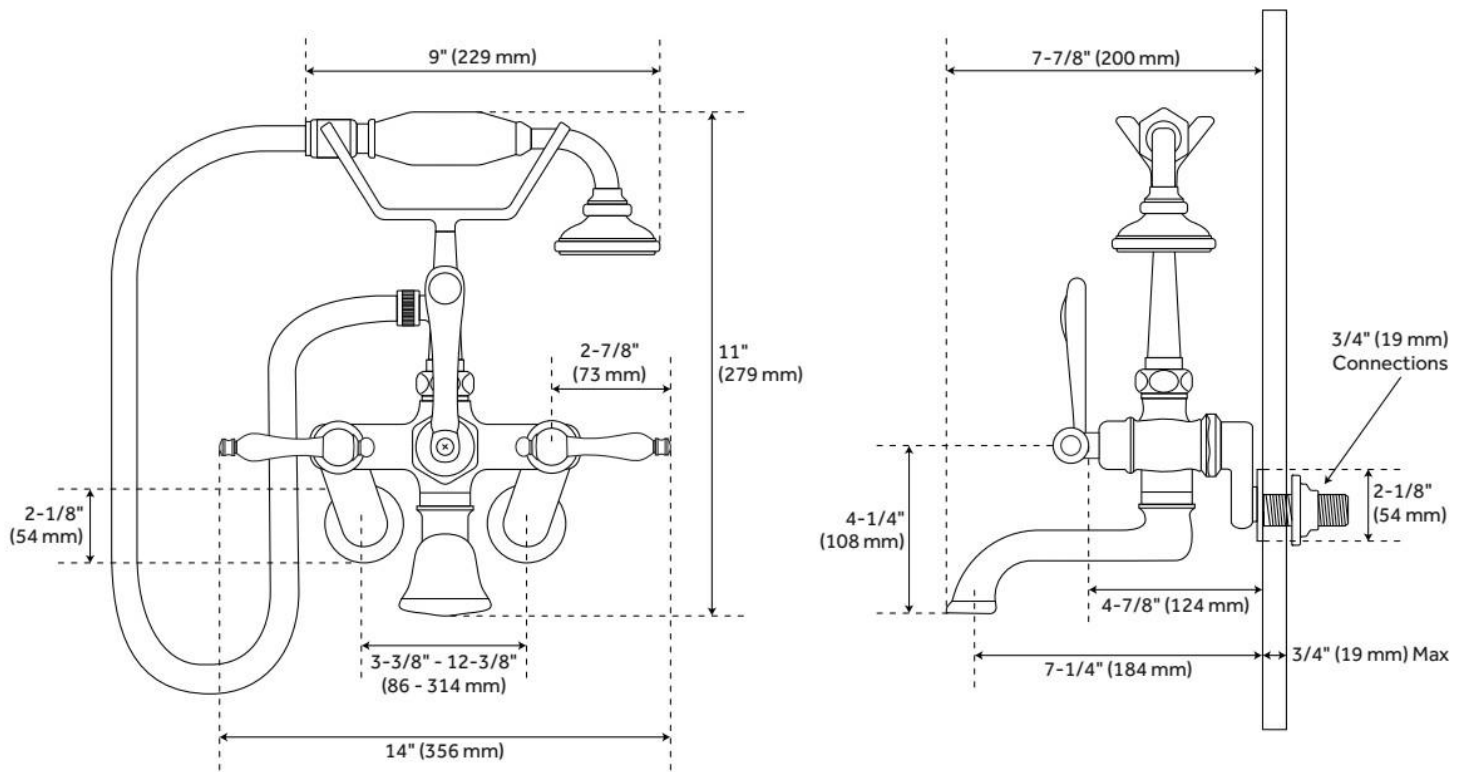
- Spout is below deck.
- Constructed with high quality materials.
- Faucet can be installed with variable centers from 3-3/8" - 12-3/8"

REVISED 5/13/2024

TUB WALL-MOUNT TELEPHONE FAUCET & HAND SHOWER - LEVER HANDLE

SKU: 926860

Code: SH402570, SH402573, SH402572, SH402569, SH402571



REVISED 5/13/2024

SWING ARM COUPLER

SKU: 109097
Code: SH109097

FEATURES

Material: Brass

Installation Type: Tub Wall Mount



ASME A112.18.1/CSA B125.1, LISTED ID: SH441015*



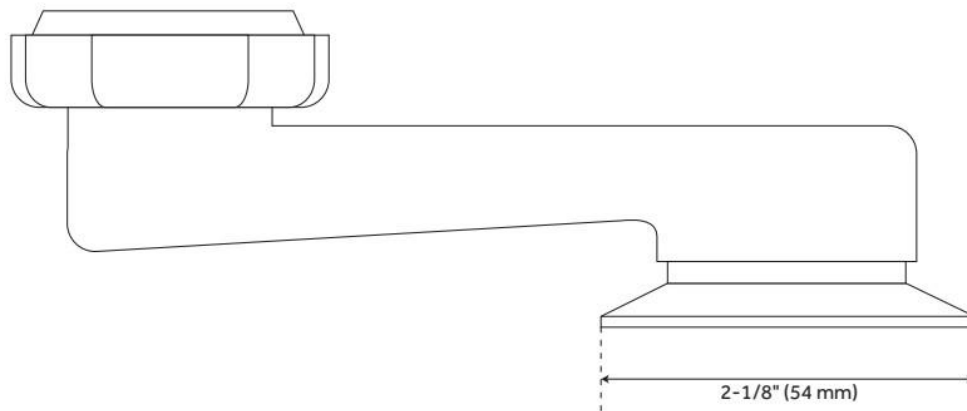
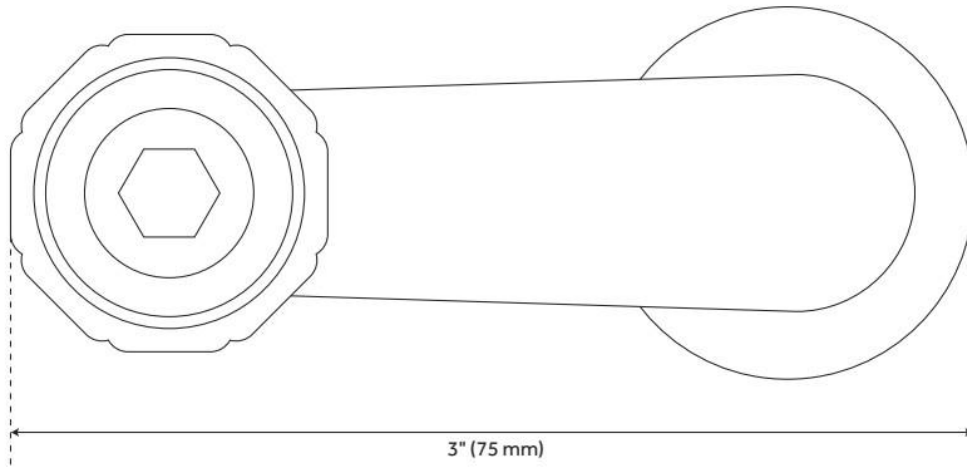
ADDITIONAL FEATURES

- Swing arms can be used to adapt most faucets to fit tubs drilled on 9" centers or less.
- Can also be used to install wall-mount faucets.
- Allow 4 1/2" centers if used as wall mount.
- Sold in pairs.
- 2-1/8" base.

REVISED 5/9/2024

SWING ARM COUPLER

SKU: 109097
Code: SH109097



REVISED 5/9/2024