

DECK-MOUNT TELEPHONE TUB FAUCET WITH LEVER HANDLES AND DECK COUPLERS

SKU: 926864

Code: SH402657, SH419661, SH419660, SH419662, SH419663, SH421549



FEATURES

Material: Metal construction for strength and durability

Faucet Centers: 7"

Installation Type: Deck Mount

Tube Spout Flow Rate: 13.3 gpm (50.3 L/min) @ 80 psi

Hand Shower Flow Rate: 1.8 gpm (6.8 L/min) @ 80 psi

Spray Type: Full

Cartridge Type: Ceramic Disc

Swivel Spout: No

ASME A112.18.1/CSA B125.1, LISTED ID: 514928, 525430, 514931, SH441007*, 514930, 514929, 514932



ADDITIONAL FEATURES

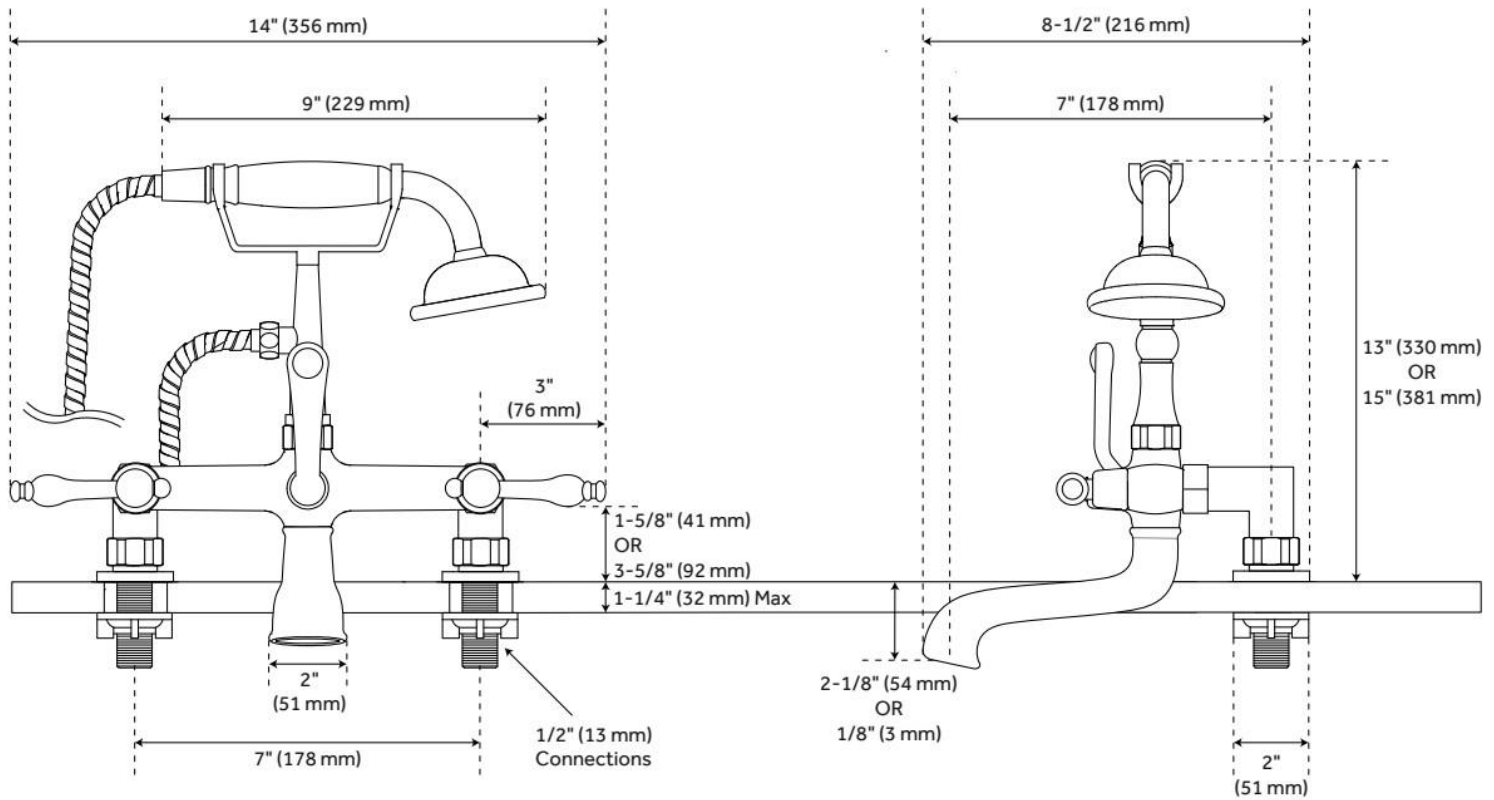
- Hand shower rests 8" above the center of the faucet body.
- Spout drops 5" from center of faucet body.

REVISED 11/20/2024

DECK-MOUNT TELEPHONE TUB FAUCET WITH LEVER HANDLES AND DECK COUPLERS

SKU: 926864

Code: SH402657, SH419661, SH419660, SH419662, SH419663, SH421549, SH559039



REVISED 11/20/2024