

WALL-MOUNT TELEPHONE FAUCET & HAND SHOWER - LEVER HANDLES

SKU: 926866

Code: SH402578, SH402643, SH419222, SH419221, SH402645, SH419225, SH419224, SH402646, SH419227, SH402644, SH419229, SH419223, SH419226



FEATURES

Material: Metal construction for strength and durability

Installation Type: Wall Mount

Flow Rate: 13.3 gpm (50.4 L/min) @ 80 psi

Hand Shower Flow Rate: 1.8 gpm (6.8 L/min) @ 80 psi

Spray Type: Full

Cartridge Type: Ceramic Disc

Swivel Spout: No

LISTED ID: SH441023*, SH441006*



ADDITIONAL FEATURES

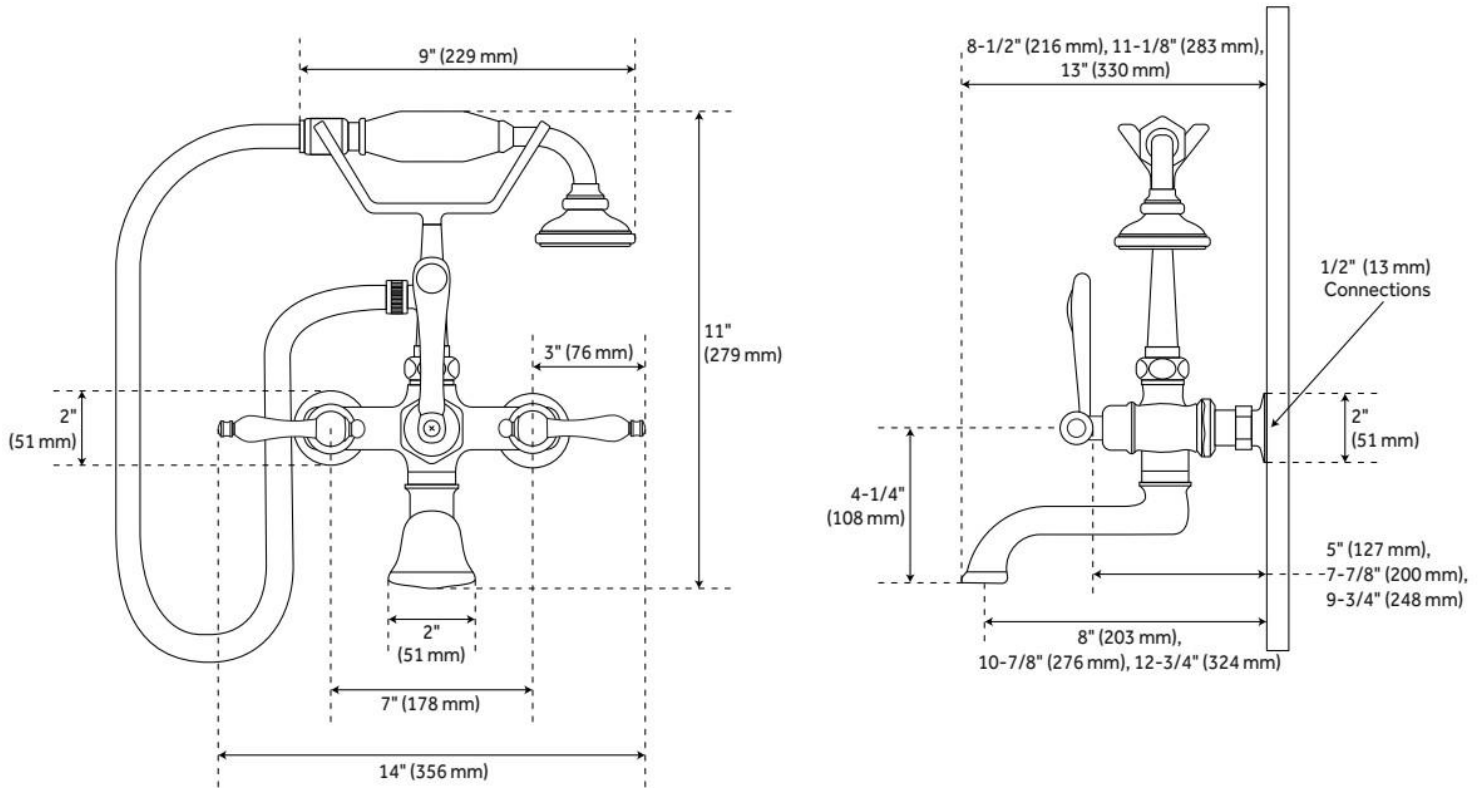
- 2" wall coupler shown in photography.
- Spout reach with 2" / 4" / 6" couplers: 7-1/2" / 9-1/2" / 11-1/2".
- Construction with high quality materials.

REVISED 5/13/2024

WALL-MOUNT TELEPHONE FAUCET & HAND SHOWER - LEVER HANDLES

SKU: 926866

Code: SH402578, SH402643, SH419222, SH419221, SH402645, SH419225, SH419224, SH402646, SH419227, SH402644, SH419229, SH419223, SH419226



REVISED 5/13/2024

WALL-MOUNT COUPLER - SET OF 2

SKU: 932410

Code: SH195762, SH329446, SH195763, SH196591, SH418107, SH418106, SH418108, SH418109

FEATURES



ASME A112.18.1/CSA B125.1, LISTED ID: SH441023*, SH441005*



ADDITIONAL FEATURES

- Couplers for mounting tub faucet to flat wall.
- 1/2" FIP inlets.
- Choose between 2" and 4" coupler extension.
- 2" coupler extends 1-3/4" from finished wall.
- Sold in pairs.

REVISED 5/13/2024

WALL-MOUNT COUPLER - SET OF 2

SKU: 932410

Code: SH195762, SH329446, SH195763, SH196591, SH418107, SH418106, SH418108, SH418109



REVISED 5/13/2024