

ARIN

THERMOSTATIC SHOWER SYSTEM

SKU: 927745

BEFORE INSTALLING

Read entire shower system installation instructions.
Observe all local building and safety codes.

For the following installation instructions for your new shower panel it is assumed that the water supply lines are in place behind the finished wall and are directly accessible for shower installation.

INSTRUCTIONS

Unpack and inspect shower system for any shipping damages. If you find any damages, do not install. Contact Customer Service at 1-866-855-2284. If you need assistance while installing your shower system, call our Customer Service number.

We recommend consulting a professional if you are unfamiliar with installing bathroom fixtures and plumbing. Signature Hardware accepts no liability for any damages to the floor, walls, plumbing or personal injury during installation.

TOOLS AND MATERIALS:



2.5 & 7 mm
Hex Wrench



Drill



Level



Pencil



Teflon
Tape



Safety Glasses



Screwdriver



Wrench

For Warranty information, please visit: signaturehardware.com/services/warranty

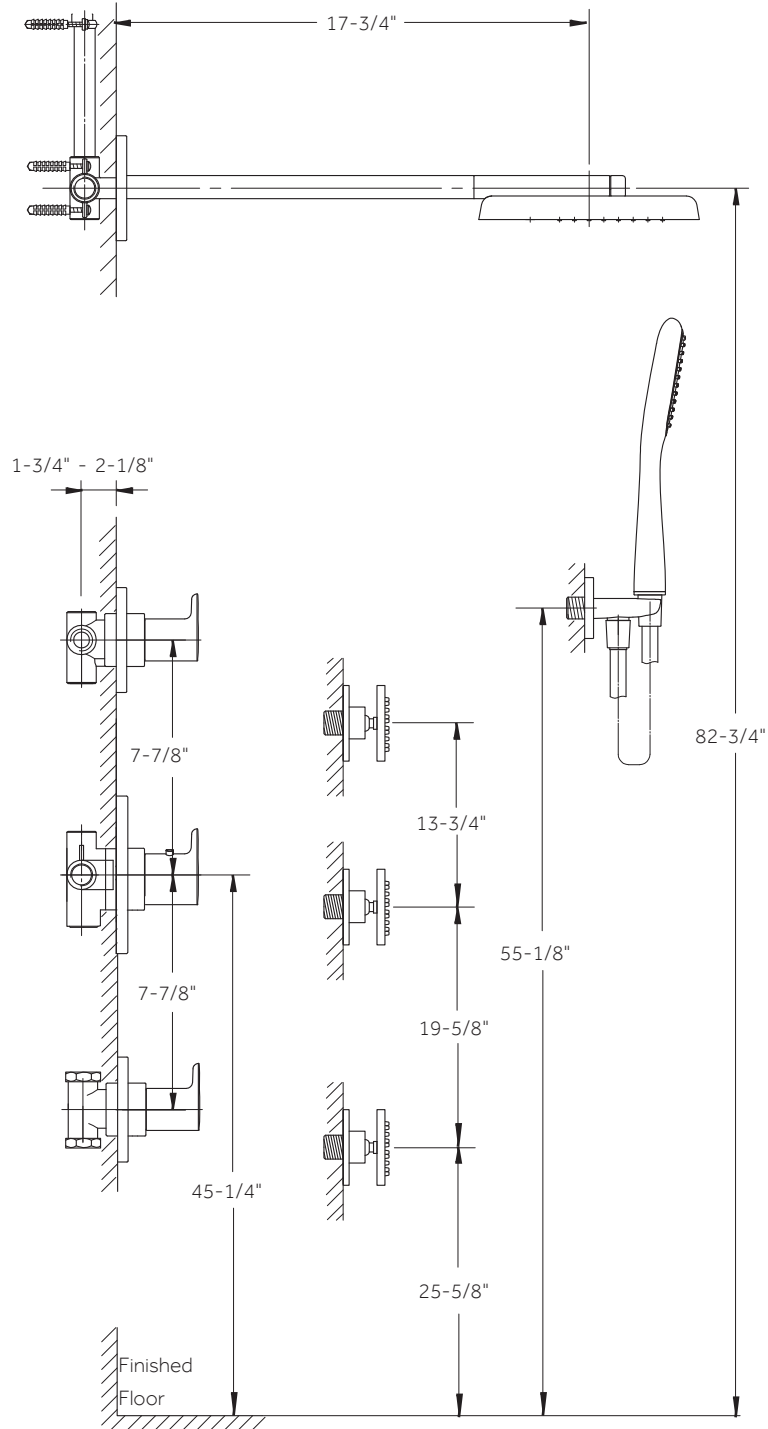
REVISED 03/24/2020
CODES: 514373, 514372, 515806

ARIN

THERMOSTATIC SHOWER SYSTEM

SKU: 927745

ROUGH-IN INFORMATION

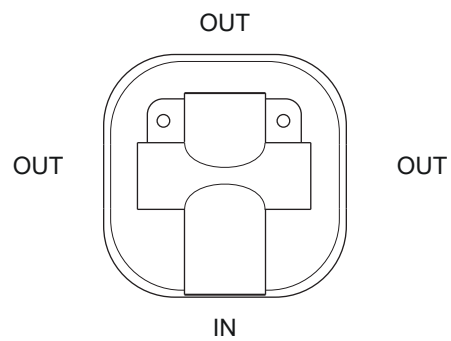


ARIN

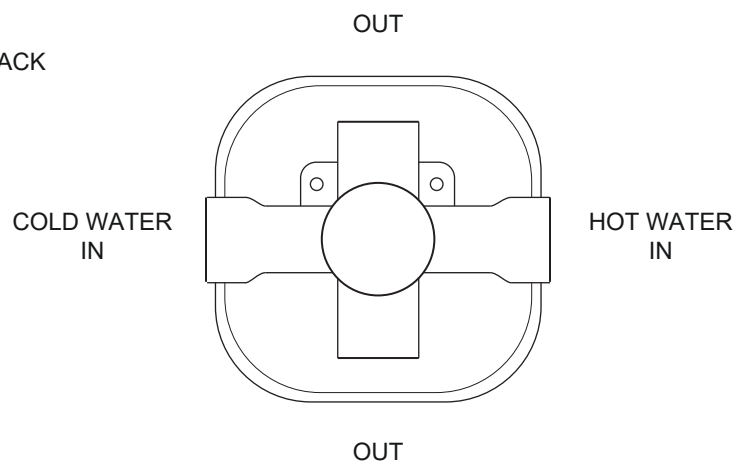
THERMOSTATIC SHOWER SYSTEM

SKU: 927745

DIVERTER BACK

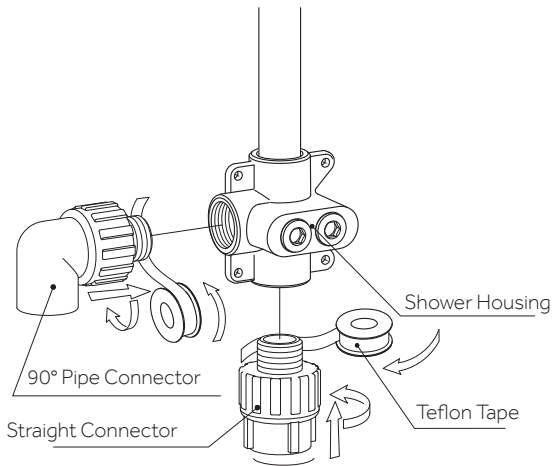


VALVE BACK

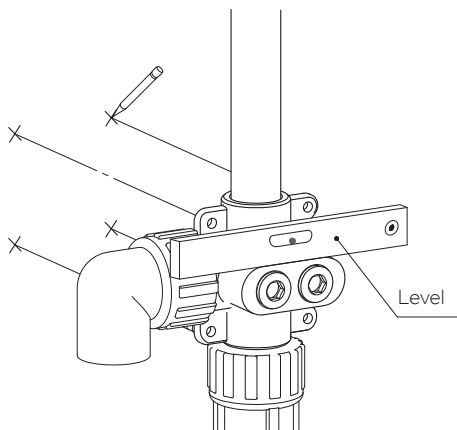


INSTALLATION

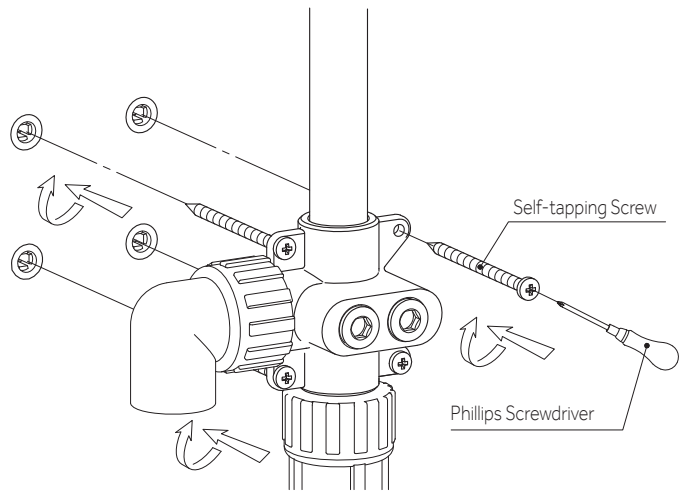
1. Wrap Teflon tape around the threads of the 90° pipe connector and straight connector, then screw them into shower housing. Make sure the holes of the pipes are facing downward.



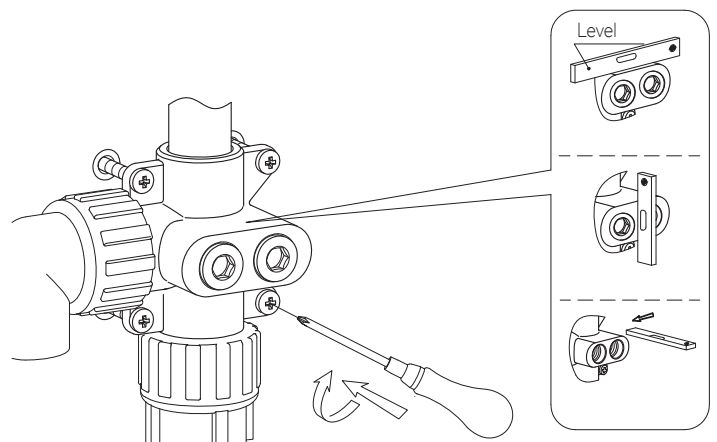
2. Mark the locations of the mounting holes in the shower housing. Use a level to position the housing.



3. Drill pilot holes in the locations marked in the previous step. Insert anchors into the holes and lightly fix the shower housing to the wall with self-tapping screws.



4. Use a level on each side of the shower housing to ensure it is positioned correctly.

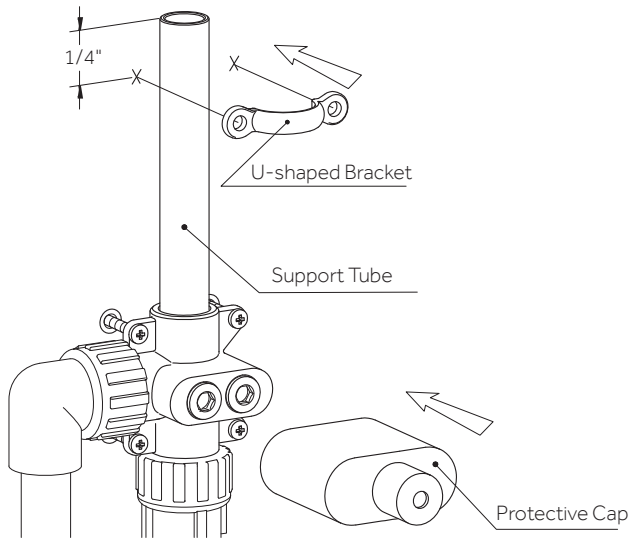


ARIN

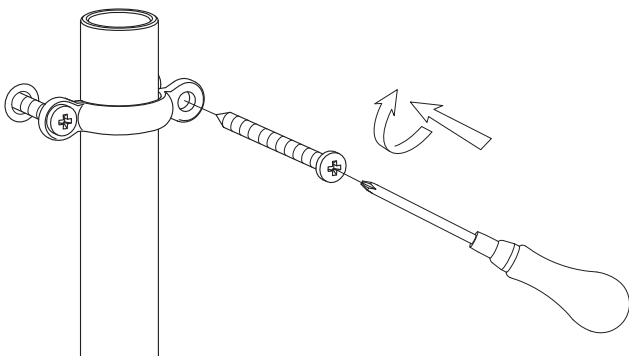
THERMOSTATIC SHOWER SYSTEM

SKU: 927745

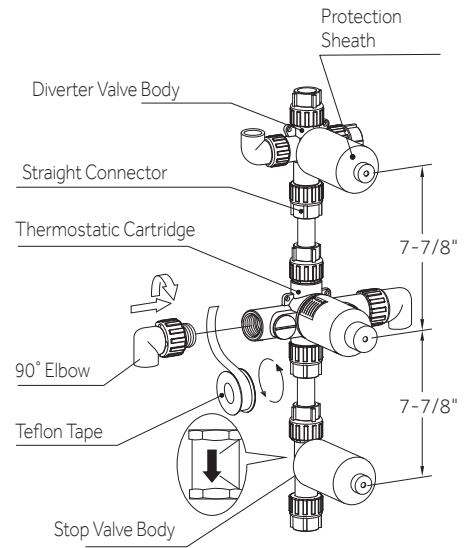
5. Place the protective cap on the shower housing. Hold the u-shaped bracket in place over the support tube and mark the location of the mounting holes.



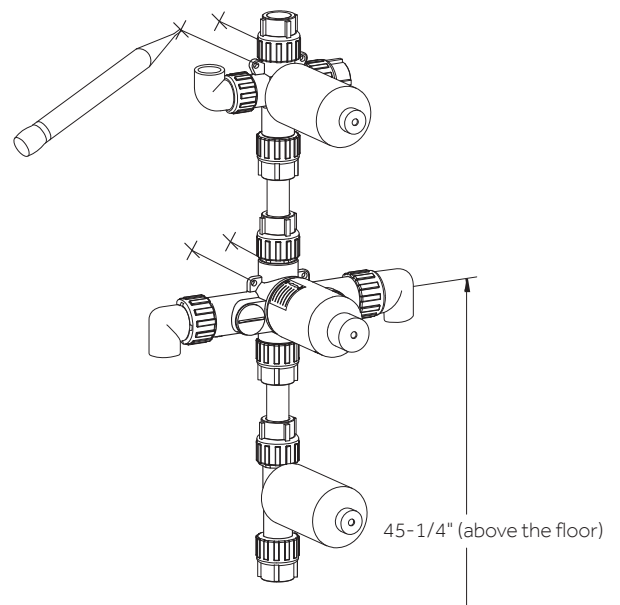
6. Drill pilot holes on the marks created in the previous step. Insert anchors into the holes, and attach the u-shaped bracket to the wall with the mounting hardware.



7. Wrap Teflon tape around the threads on the elbows and screw them into the thermostatic valve. Connect the thermostatic and diverter valves with the connector tube.



8. Mark the locations of the mounting holes in the thermostatic and diverter valves.

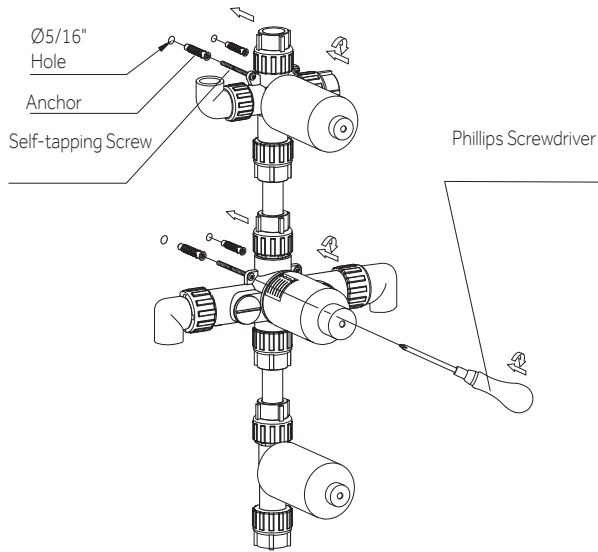


ARIN

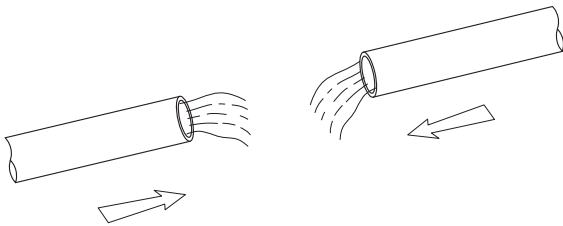
THERMOSTATIC SHOWER SYSTEM

SKU: 927745

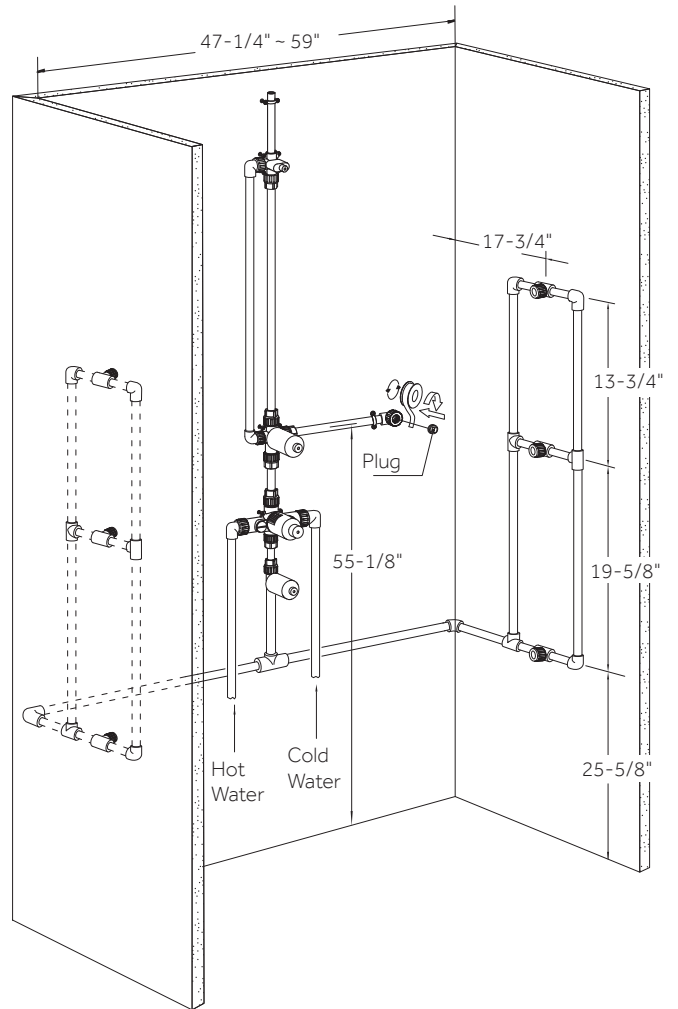
9. Drill pilot holes in the locations marked in the previous step. Insert anchors and attach the valve to the wall with self-tapping screws.



10. Run water through the pipes to clean out any dirt or debris.



11. Connect the water inlet and outlet tubes (hot water is always on the left, and cold water is always on the right). Plug the outlet.

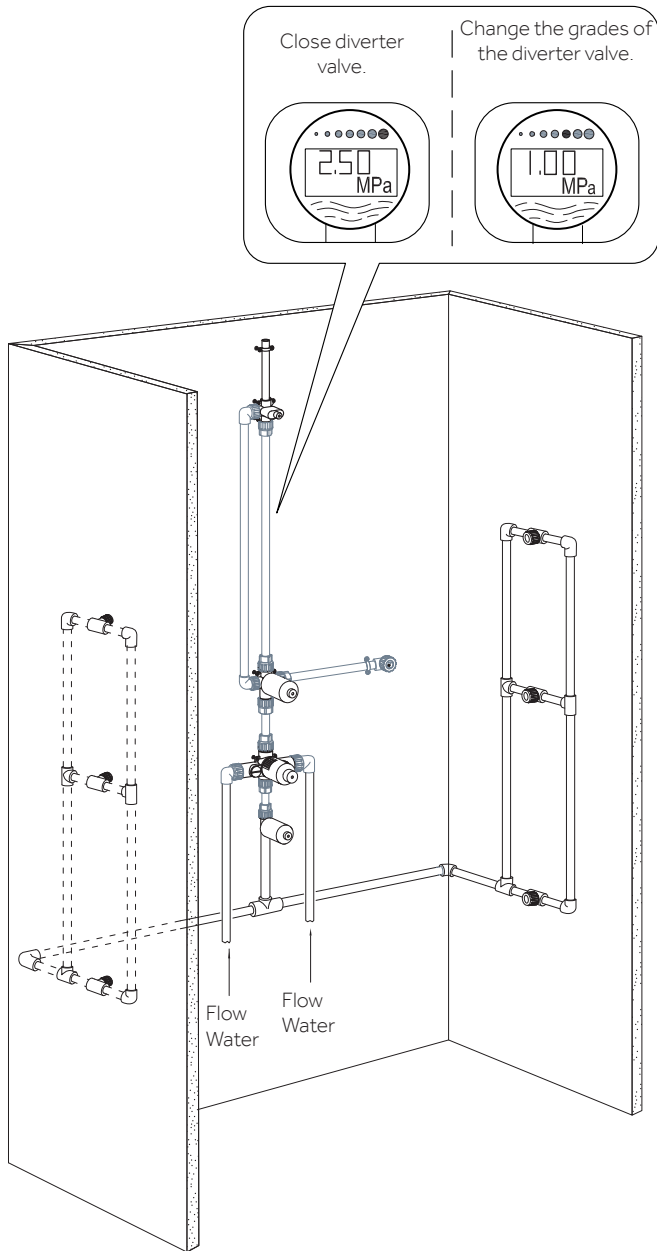


ARIN

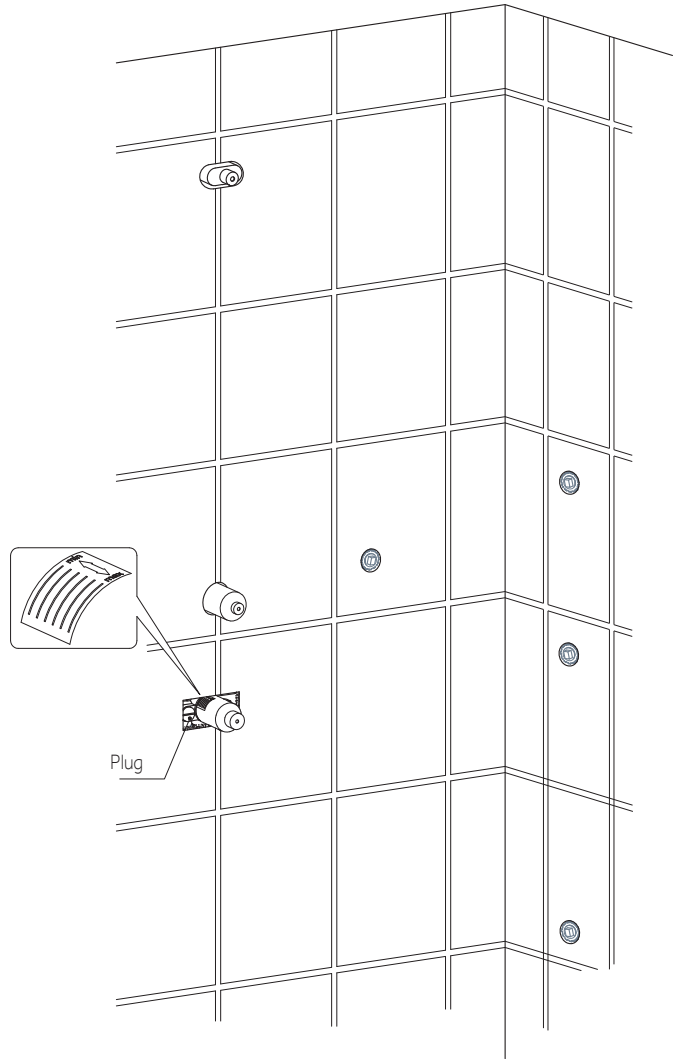
THERMOSTATIC SHOWER SYSTEM

SKU: 927745

12. Remove the protective cap. Turn on the water supply to test the water pressure and connections. Replace the protective cap when finished.



13. Apply tile or other material to finish the shower surround. Leave space around the plugs on the sides of valve for any future maintenance needs.

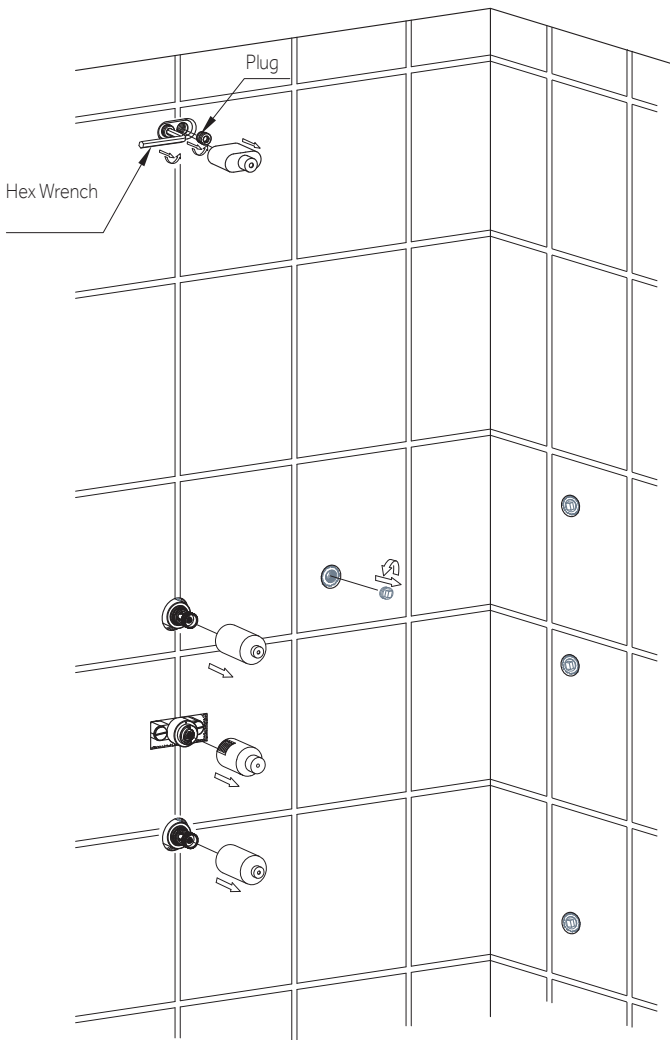


ARIN

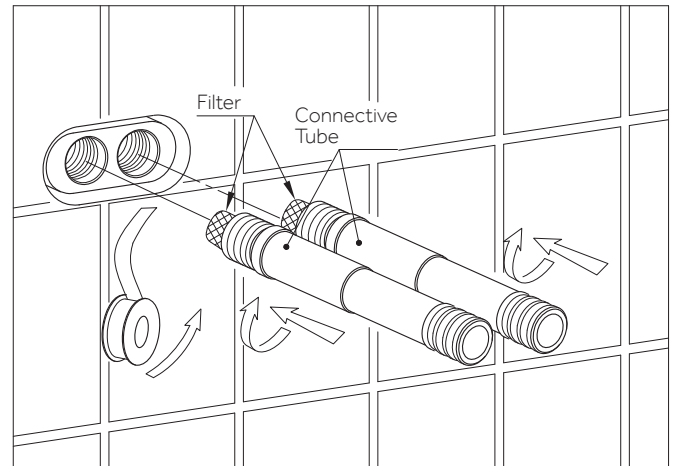
THERMOSTATIC SHOWER SYSTEM

SKU: 927745

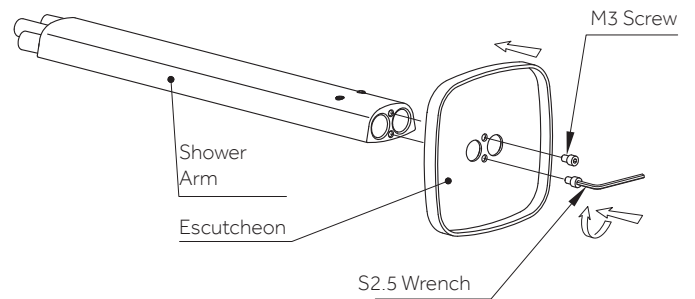
14. Remove the protective caps and plugs.



15. Wrap Teflon tape around the threaded portion of the connector tubes and screw them into shower housing.



16. Attach the shower arm and escutcheon.

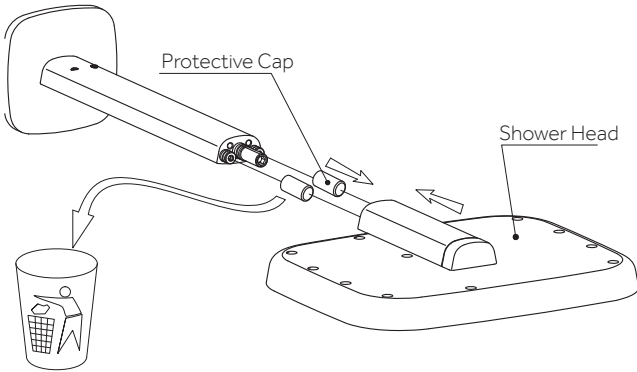


ARIN

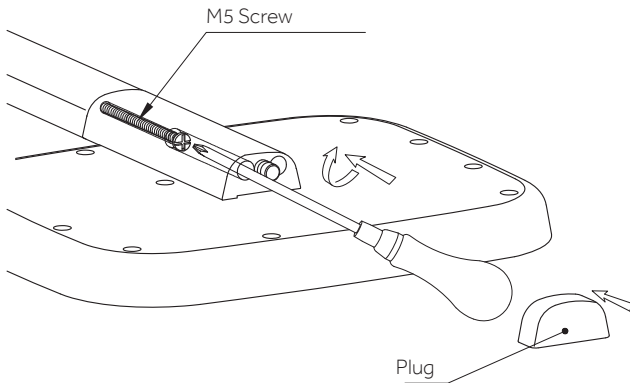
THERMOSTATIC SHOWER SYSTEM

SKU: 927745

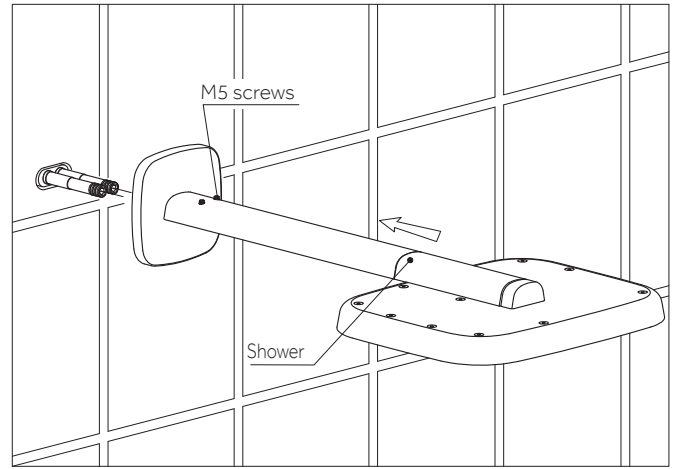
17. Remove the protective cap from the shower arm, and connect the shower arm and shower head.



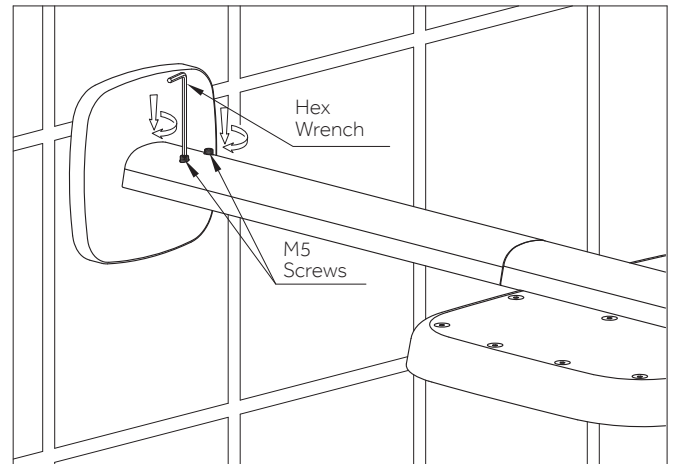
18. Remove the plug and secure the shower head and the arm with the M5 screw. Replace the plug when finished.



19. Attach the shower arm to the connector tubes and press the escutcheon into the wall.



20. Tighten the M5 screws with the 2.5mm hex wrench.

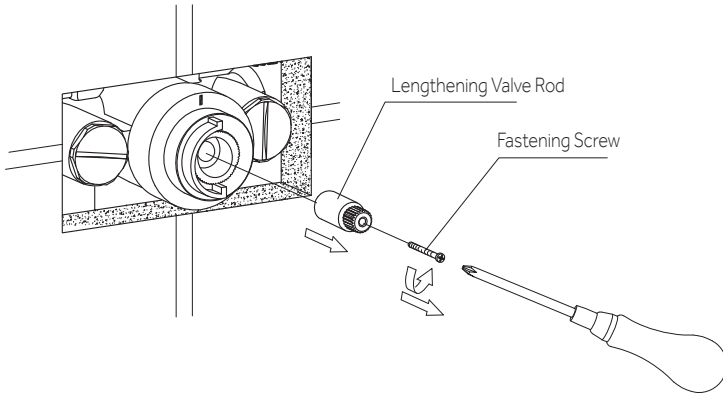


ARIN

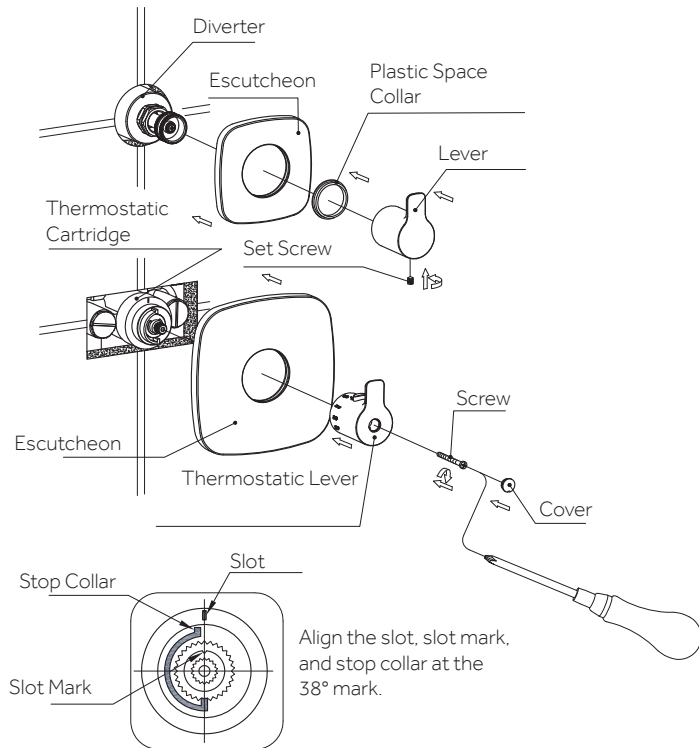
THERMOSTATIC SHOWER SYSTEM

SKU: 927745

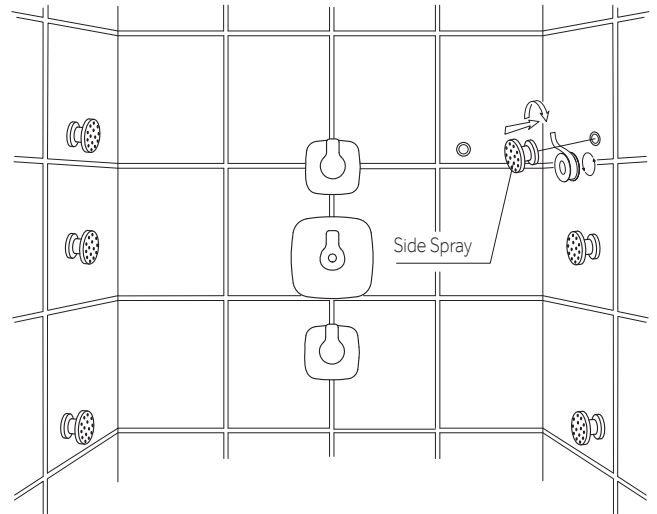
21. Remove fastening screw and lengthen valve rod by Phillips screwdriver.



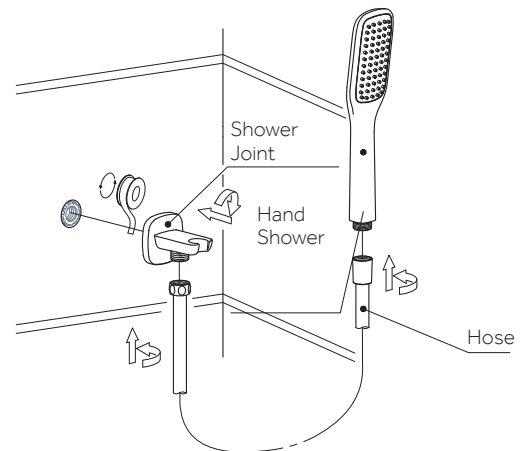
22. Assemble the valve trim kits for valve and both diverters according to the diagram.



23. Wrap Teflon tape around the threaded portion of the side spray joint and screw it into the wall.



24. Wrap Teflon tape around the threaded portion of the hand shower joint and screw to the connector into the wall. Connect the hand shower joint and hand shower with the hose.

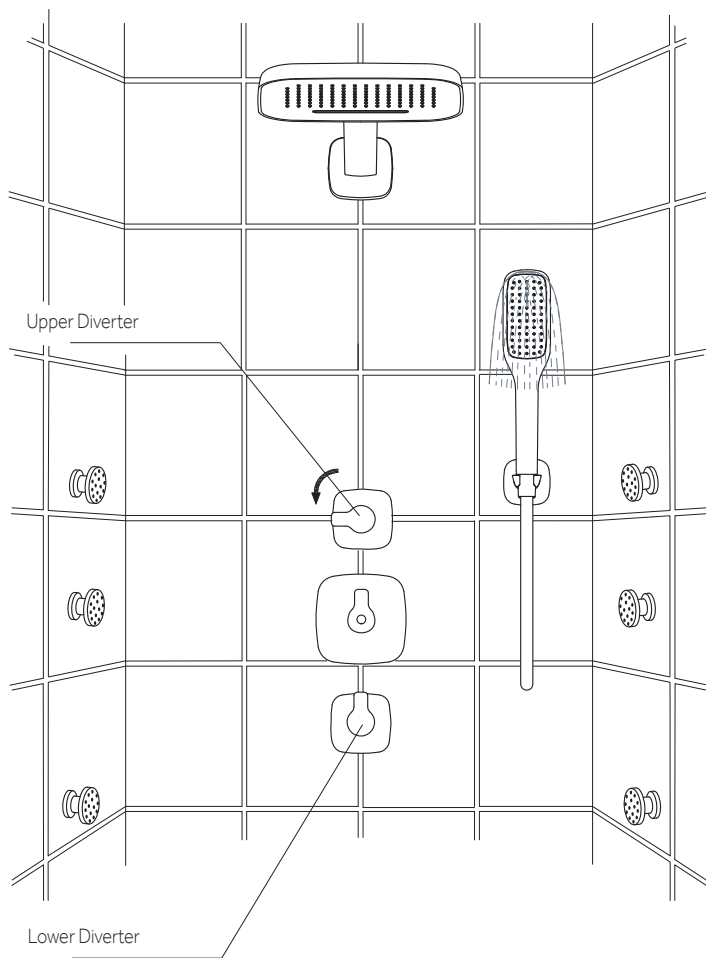


ARIN

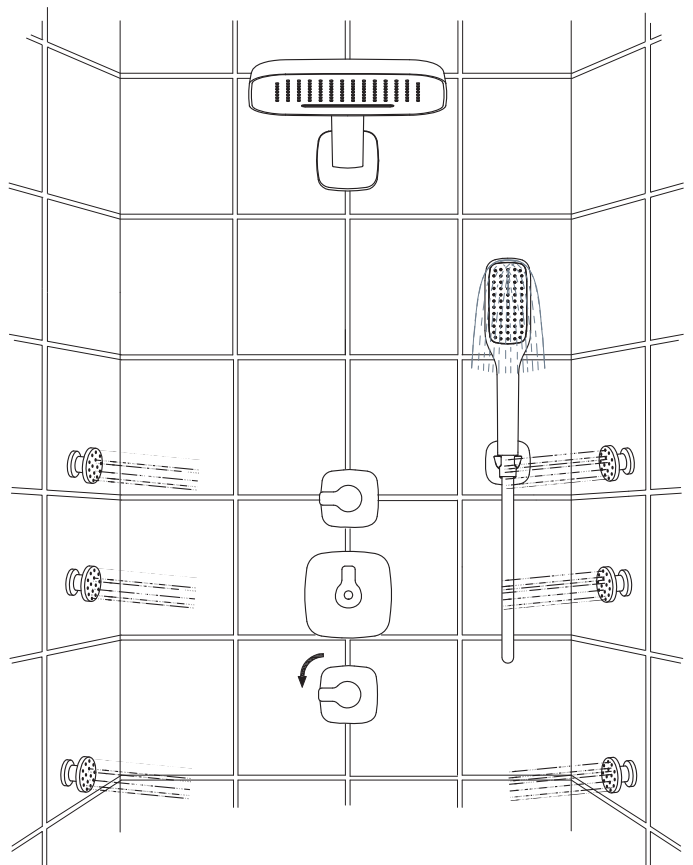
THERMOSTATIC SHOWER SYSTEM

SKU: 927745

25. Run water to check for leaks. Turn upper diverter to the left. This will allow water to flow from hand shower.



26. Next, turn the lower diverter to the left. This will allow water to flow from the body sprays.

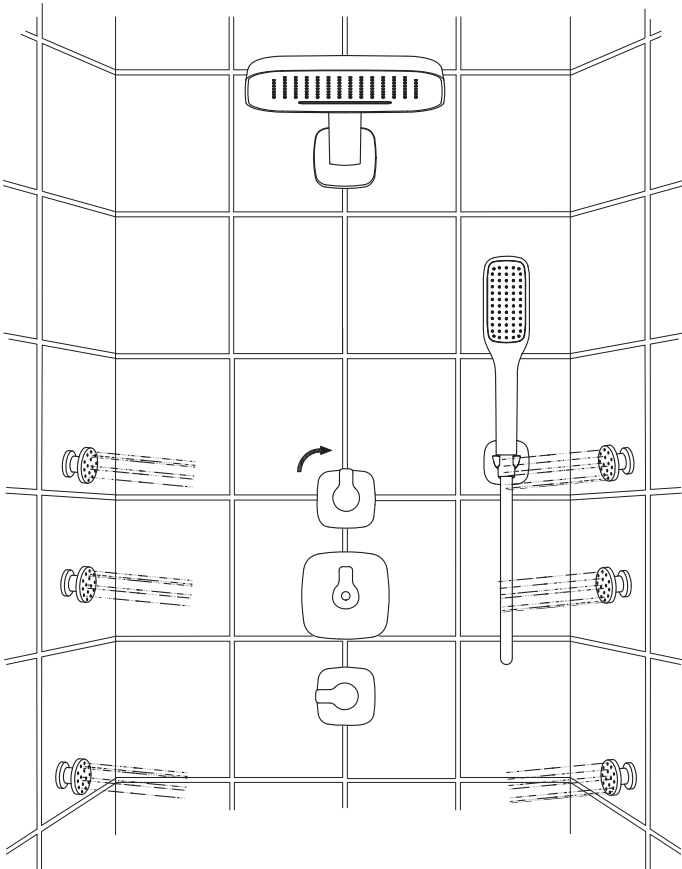


ARIN

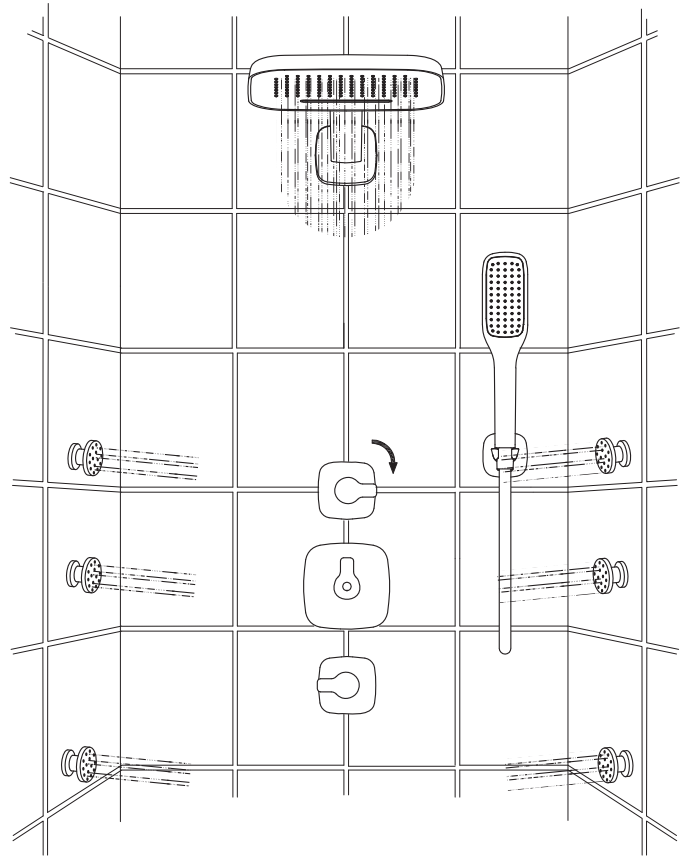
THERMOSTATIC SHOWER SYSTEM

SKU: 927745

27. Turn the upper diverter to the starting position.
This will stop the flow of water from the hand shower.



28. Now turn the upper diverter to the right. This will
allow water to flow from the rainfall shower head.

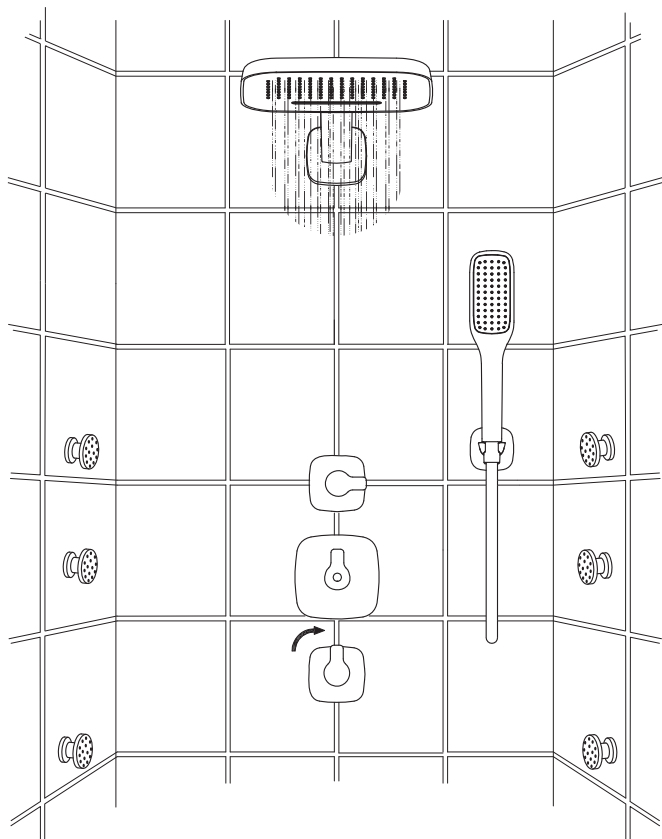


ARIN

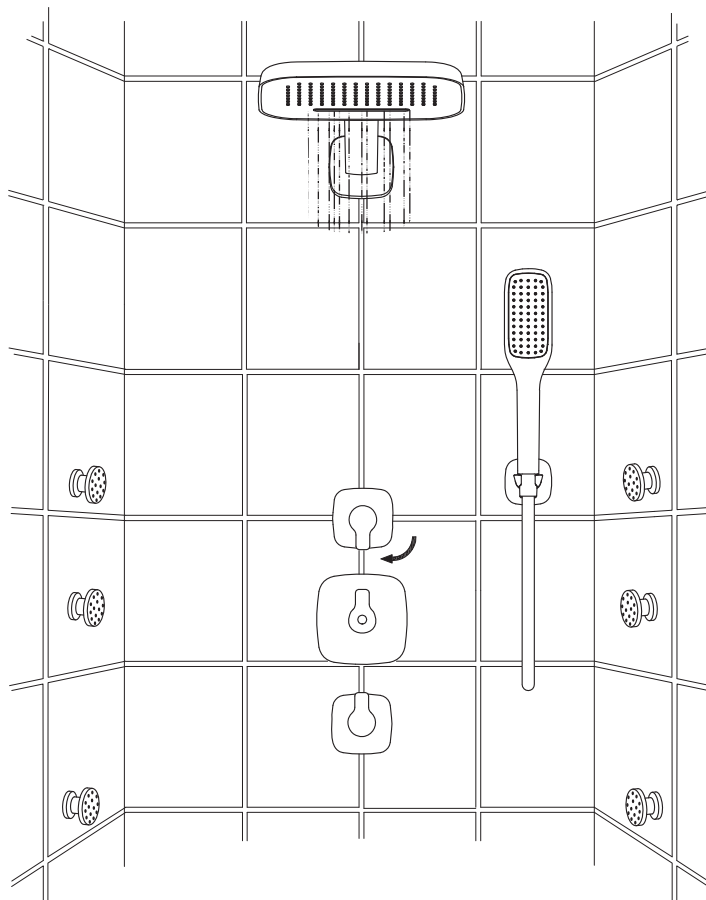
THERMOSTATIC SHOWER SYSTEM

SKU: 927745

29. Turn the lower diverter to its starting position. This will stop the flow of water to the body sprays.

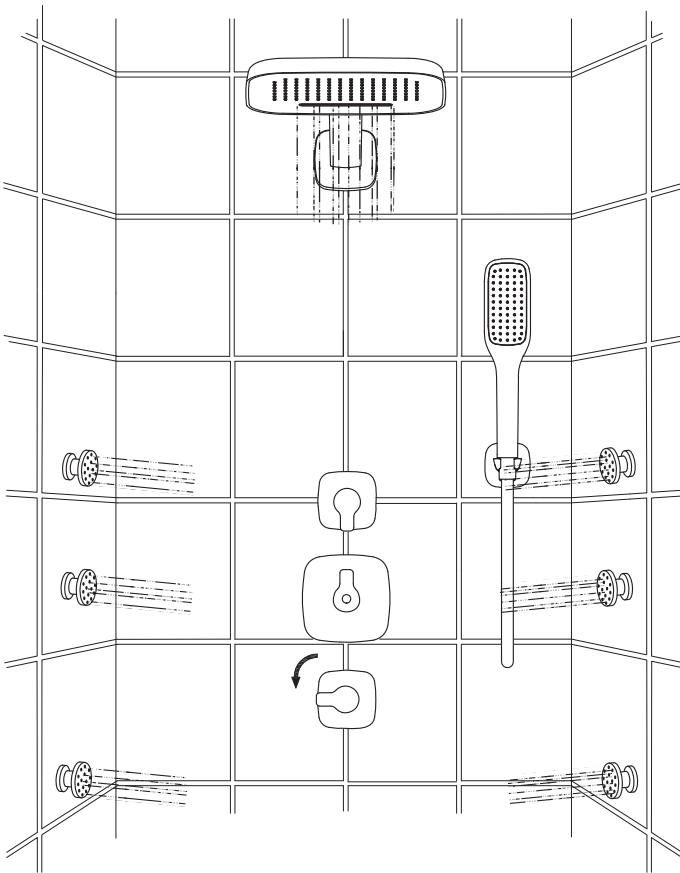


30. Next, turn the upper diverter to the down position. This will allow the water to flow from the waterfall outlet on the shower head.



31. Now turn lower diverter to the left. This will allow water to flow from the body sprays.

Finally, turn all diverters to their starting positions to stop the flow of water.



MAINTENANCE

If you are experiencing low flow rate or the temperature control is imprecise, it is often due to poor water which blocks the filter nets on both sides of valve body and the filter net on the thermostatic cartridge. To clean the filter net, turn off the main valve. Then, according to the diagram, unscrew the two caps on the both sides of valve body. Take out small filter net and clean it with vinegar and brush. Rinse it and reassemble the shower parts. Check the water flow and temperature control. If the flow rate is still low, clean the filter net of thermostatic cartridge. Remove the caps with a sharp pointed tool. Unscrew the screw, thermostatic handle, stop collar and locking sleeve. Pull out clamp sleeve and lengthening sleeve. Finally, pull out the thermostatic cartridge and clean its filter net as mentioned above. Reassemble the valve when complete. Please note when reassembling, align the slot marks on the locking sleeve, slot on thermostatic cartridge rod, stop collar, and 38°C mark on thermostatic lever.

