

# 59" EATON ACRYLIC FREESTANDING TUB

SKU: 927761-59  
Code: SH480866



## FEATURES

Features: Integral Drain & Overflow  
Design: Modern  
Product Finish: White  
Material: acrylic  
Length: 59"  
Width: 31-1/2"  
Height: 23-3/4"  
Overflow Hole: true  
Water Depth To Overflow: 16"  
Exterior Treatment: Smooth  
Interior Treatment: Smooth  
Faucet Included: No  
Shape: Rectangle  
Water Depth to Rim: 17"  
Tub Overflow: Optional  
Integral Drain & Overflow: Yes  
Tub Material: Acrylic  
Tub Interior Length: 37-1/2"  
Tub Interior Width: 19"  
Tap Deck: No  
Faucet Drillings: No Drillings  
Built-In Adjusters: Yes  
Tub Weight Uncrated (lbs): 151  
Tub Weight Crated (lbs): 261

IAPMO



REVISED 3/27/2023

# 59" EATON ACRYLIC FREESTANDING TUB

SKU: 927761-59  
Code: SH480866



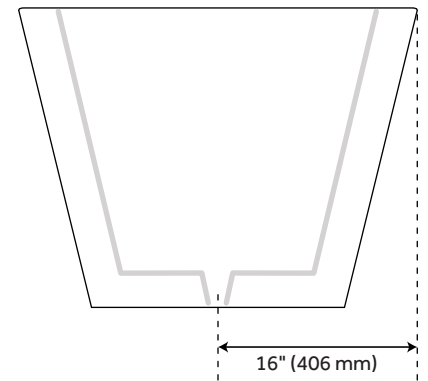
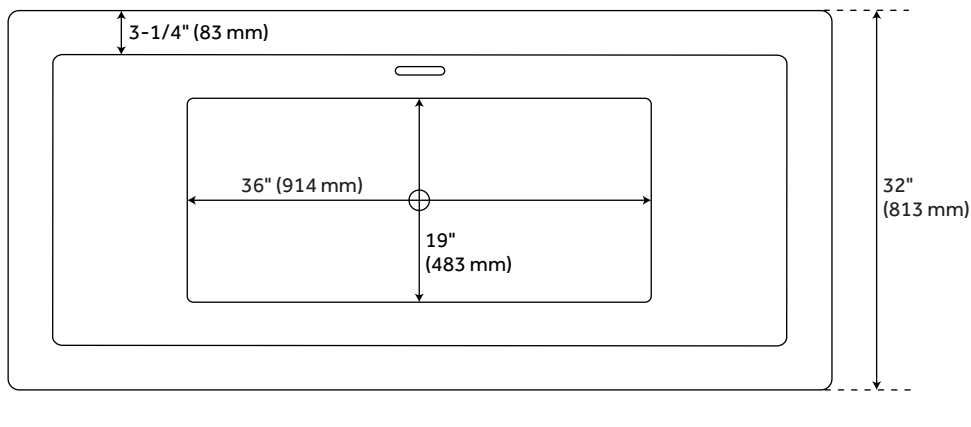
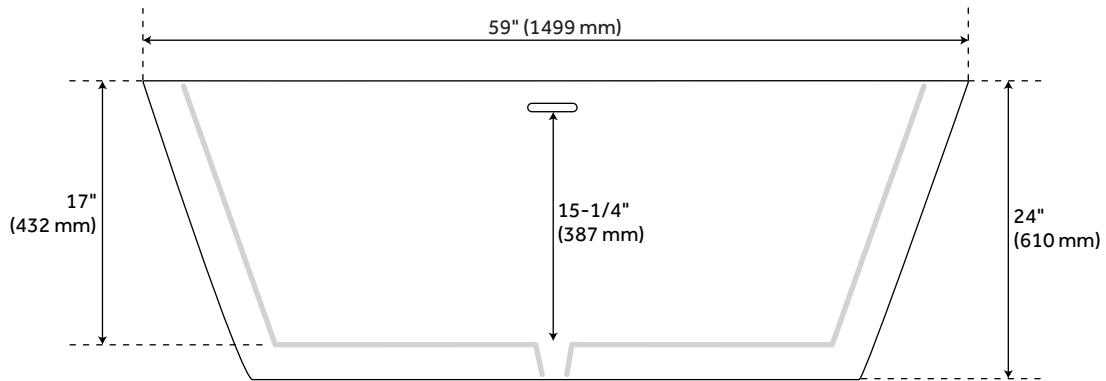
## ADDITIONAL FEATURES

- All dimensions are ( $\pm 1/2$ ").
- Formed of two acrylic sheets, the air between acting as thermal insulator.
- Optional Quick Connect Drop-In Drain Kit Includes:
  - Floor Plate, 1-1/2" PVC Pipe, 2" x 1-1/2" Trap Adapters, 1 Brass Threaded, 1 Brass Unthreaded Tailpiece and Plug.
  - Installs above your subfloor, but underneath your cement floor or tile, so you do not need access below the fixture.

REVISED 3/27/2023

# 59" EATON ACRYLIC FREESTANDING TUB

SKU: 927761-59



All dimensions and specifications are nominal and may vary. Use actual products for accuracy in critical situations.