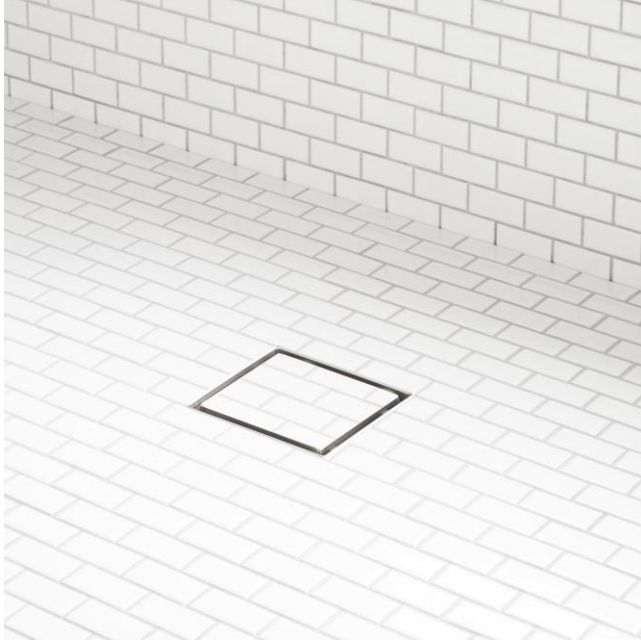


COHEN SQUARE TILE-IN SHOWER DRAIN WITH DRAIN FLANGE

SKU: 928029-F

Code: SH482709, SH406495, SH443328, SH482710, SH406497, SH443323, SH482711, SH414117, SH443322, SH414127, SH443329, SH415726, SH443332, SH415727, SH443333



FEATURES

Material: Stainless Steel

Height: 3"

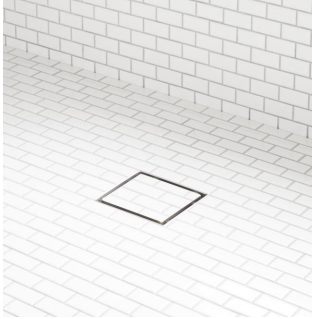
Assembly Required: No

REVISED 3/17/2023

COHEN SQUARE TILE-IN SHOWER DRAIN WITH DRAIN FLANGE

SKU: 928029-F

Code: SH482709, SH406495, SH443328, SH482710, SH406497, SH443323, SH482711, SH414117, SH443322, SH414127, SH443329, SH415726, SH443332, SH415727, SH443333



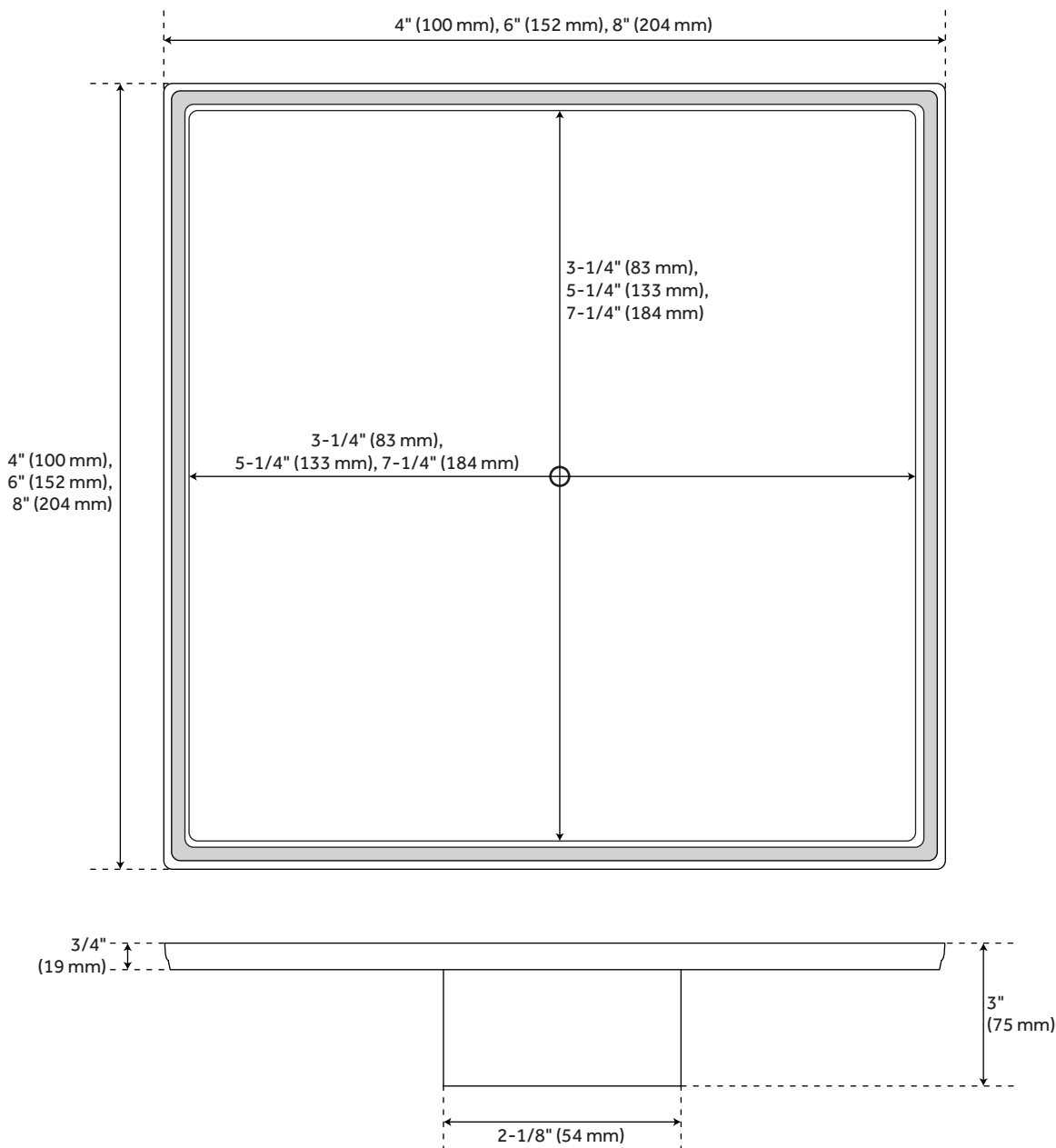
ADDITIONAL FEATURES

- Includes the drain flange and coupling.
- 4" measures: 4" L x 4" W. Tile insert measures: 3-1/4" L x 3-1/4" W x 1/2" D.
- 6" measures: 6" L x 6" W. Tile insert measures: 5-1/4" L x 5-1/4" W x 1/2" D.
- 8" measures: 8" L x 8" W. Tile insert measures: 7-1/4" L x 7-1/4" W x 1/2" D.
- Tapered bottom outlet and removable grate.
- Drain hole measures 2" diameter.
- Product is made of 304 stainless steel.

REVISED 3/17/2023

COHEN SQUARE TILE-IN SHOWER DRAIN WITH DRAIN FLANGE

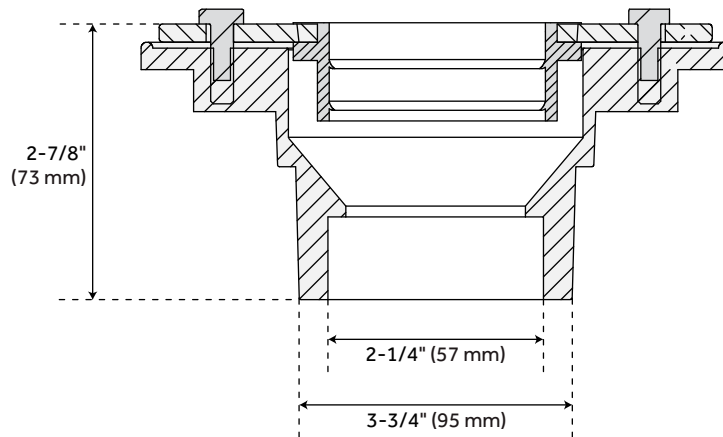
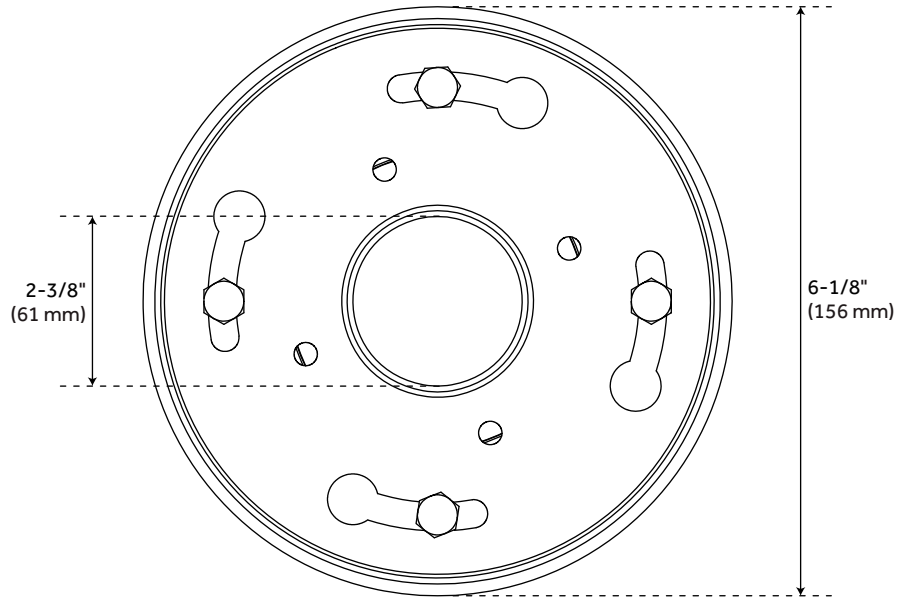
SKU: 928029-F



All dimensions and specifications are nominal and may vary. Use actual products for accuracy in critical situations.

COHEN PVC DRAIN FLANGE COUPLING

SKU: 928029-F



All dimensions and specifications are nominal and may vary. Use actual products for accuracy in critical situations.