

72" PAIGE COPPER DOUBLE-SLIPPER TUB - NICKEL INTERIOR

SKU: 928317-72

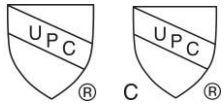
Code: SH480172, SH474279, SH474280, SH474281, SH474285



FEATURES

Tub Material: Copper
Product Finish: Antique Copper Patina
Shape: Oval
Tub Drain Placement: Center
Drain Included: Optional
Water Depth to Overflow: 14"
Water Capacity (Gallons): 68
Built-In Adjusters: No
Tub Weight Uncrated (lbs): 170
Optional Accessory: 428473

ASME A112.18.2/CSA B125.2, CSA B45.12/IAPMO Z402, LISTED ID: SHPGCODS7233NI, 510720, 510721, 510724, 510729



ADDITIONAL FEATURES

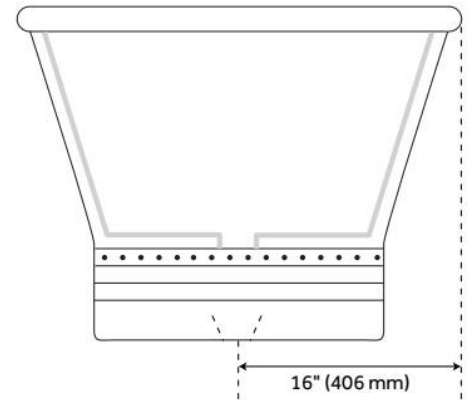
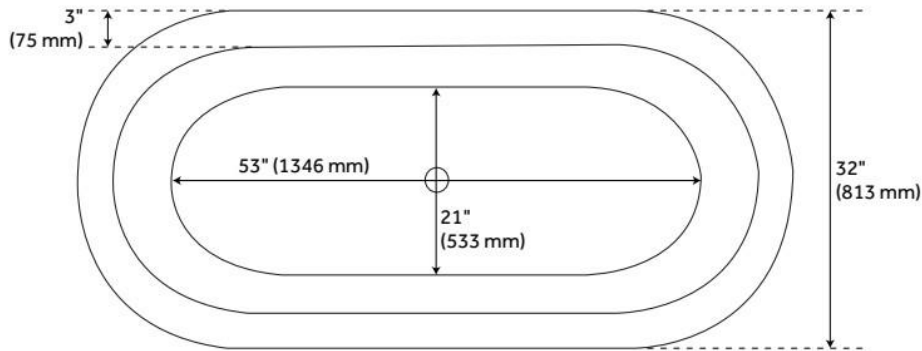
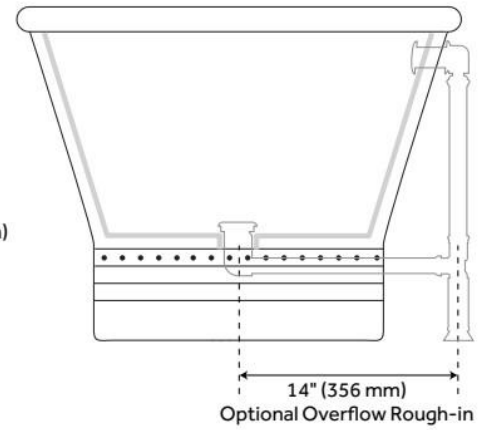
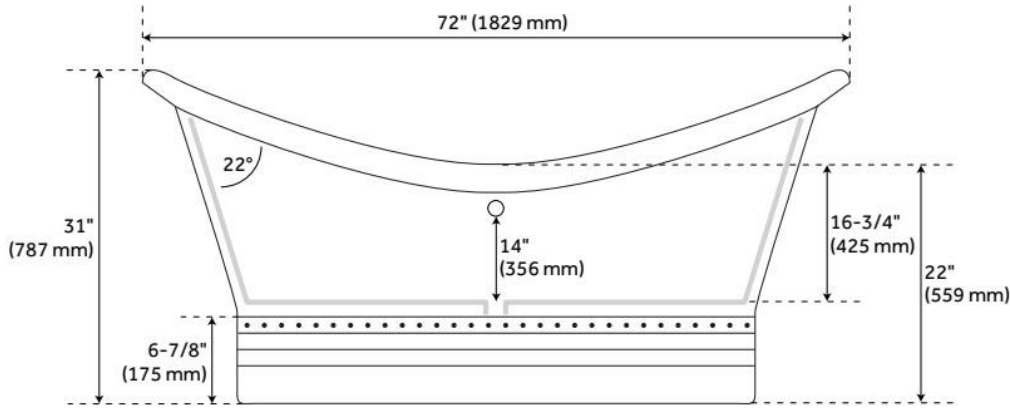
- Smooth rim and base
- Please note: Tub is extra wide. Check door frame measurements before ordering.
- Nickel interior.
- Hand-polished finish.
- Patina applied using French hot process, so color is ingrained in the copper.
- Copper tubs are handmade and therefore unique. Expect slight variations in finish and dimensions ($\pm 1"$).
- Requires wall-mount or floor-mount tub filler.
- To keep the tub in premium condition, it is recommended to not use anything abrasive for bathing or cleaning, including products like Epsom salts, bristle brushes, and harsh soaps.
- Overflow Drain will include: Extended Pop-Up Drain with Swivel Head, a Daisy Wheel overflow, which remain open to allow water into the drain.

REVISED 6/24/2024

72" PAIGE COPPER DOUBLE-SLIPPER TUB - NICKEL INTERIOR

SKU: 928317-72

Code: SH480172, SH474279, SH474280, SH474281, SH474285



REVISED 6/24/2024

EXTENDED POP-UP TUB DRAIN - SWIVEL HEAD - STANDARD OVERFLOW - 1-1/2" TUBING

SKU: 943092

Code: SH440231, SH437313, SH437314, SH437309, SH437310, SH437311, SH437312, SH440233, SH437315, SH437316, SH437317, SH437318, SH437338, SH437319, SH440232, SH437331, SH437332, SH437333, SH437334, SH437335, SH437336, SH440234, SH437320, SH437321, SH437322, SH437323, SH437324, SH437325, SH440230, SH437326, SH437327, SH437328, SH437329, SH437330, SH437337

FEATURES



LISTED ID: 510720, 510721, 510724, 510729



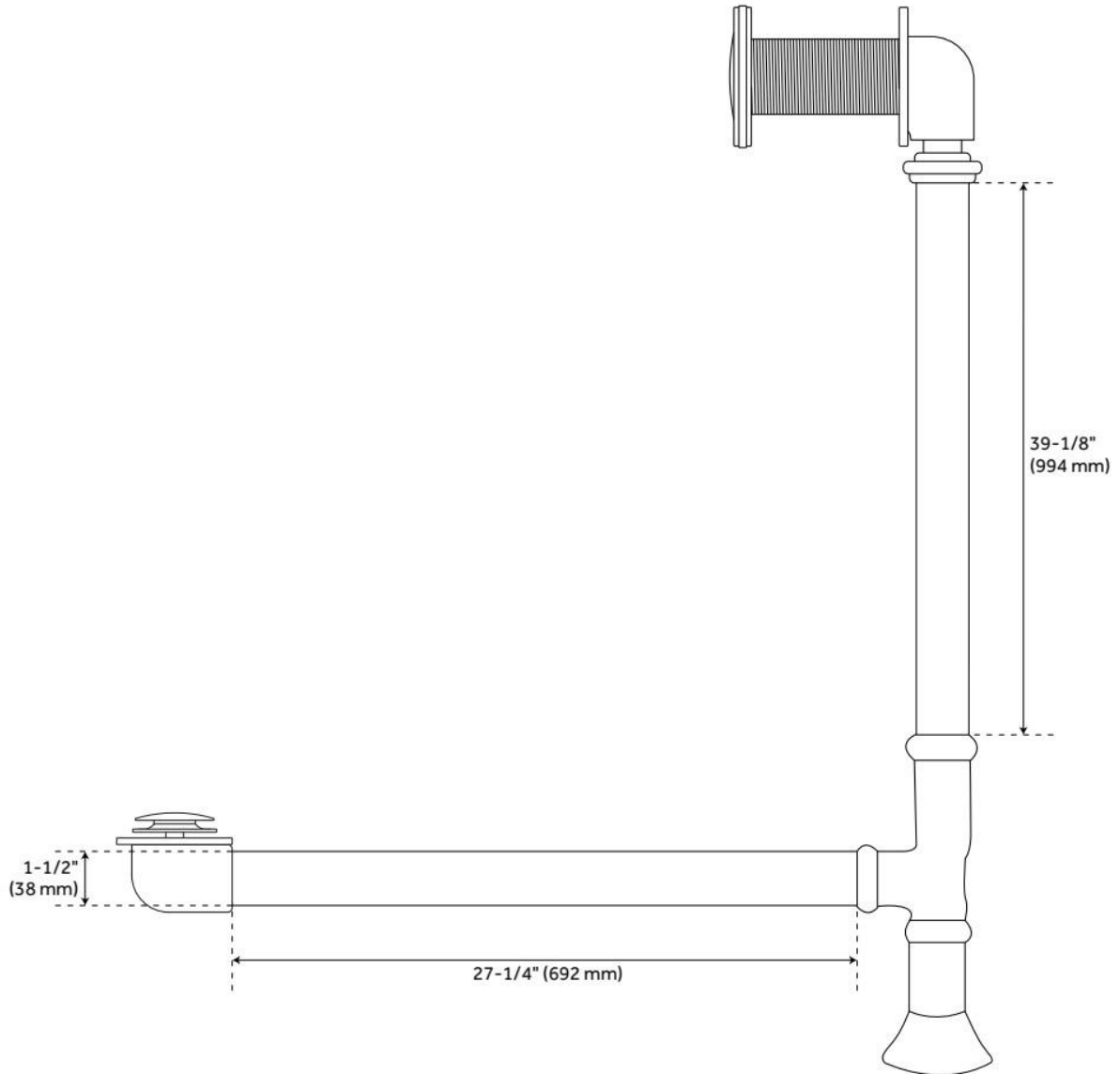
- Product is a Signature Hardware exclusive design.
- Overflow does not have the ability to be sealed.
- Can be used on double wall tubs.
- Made from solid brass materials.
- 1-5/16" Thread length dimensions: 27-1/4" L drain pipe, 39-1/8" H overflow pipe. Accommodates tub walls up to 7/8" thick at overflow.
- 2-3/8" thread length dimensions: 27-1/4" L drain pipe, 39-1/8" H overflow pipe. Accommodates tub walls up to 1-3/4" thick at overflow.
- 2-15/16" thread length dimensions: 27-1/4" L drain pipe, 39-1/8" H overflow pipe. Accommodates tub walls up to 2-1/2" thick at overflow.
- 3-11/16" thread length dimensions: 27-1/4" L drain pipe, 39-1/8" H overflow pipe. Accommodates tub walls up to 3-3/8" thick at overflow.
- 4-1/4" thread length dimensions: 27-1/4" L drain pipe, 39-1/8" H overflow pipe. Accommodates tub walls up to 3-3/4" thick at overflow.

REVISED 6/18/2024

EXTENDED POP-UP TUB DRAIN - SWIVEL HEAD - STANDARD OVERFLOW - 1-1/2" TUBING

SKU: 943092

Code: SH440231, SH437313, SH437314, SH437309, SH437310, SH437311, SH437312, SH440233, SH437315, SH437316, SH437317, SH437318, SH437338, SH437319, SH440232, SH437331, SH437332, SH437333, SH437334, SH437335, SH437336, SH440234, SH437320, SH437321, SH437322, SH437323, SH437324, SH437325, SH440230, SH437326, SH437327, SH437328, SH437329, SH437330, SH437337



REVISED 6/18/2024