

71" ANASTASIA MOSAIC NICKEL-PLATED COPPER DOUBLE-SLIPPER TUB

SKU: 928320

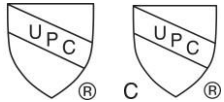
Code: SH484138, SH484224, SH484223, SH484222, SH484221



FEATURES

Tub Material: Copper
Product Finish: Copper
Shape: Oval
Tub Drain Placement: Center
Drain Included: Optional
Water Depth to Overflow: 14-1/2"
Water Capacity (Gallons): 72
Built-In Adjusters: No
Tub Weight Uncrated (lbs): 200
Optional Accessory: 428473

ASME A112.18.2/CSA B125.2, CSA B45.12/IAPMO Z402, LISTED ID: 510720, 510721, 510724, 510729



ADDITIONAL FEATURES

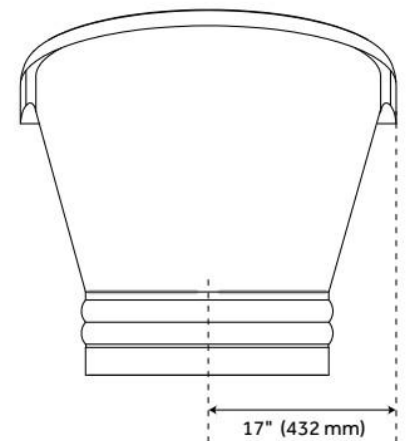
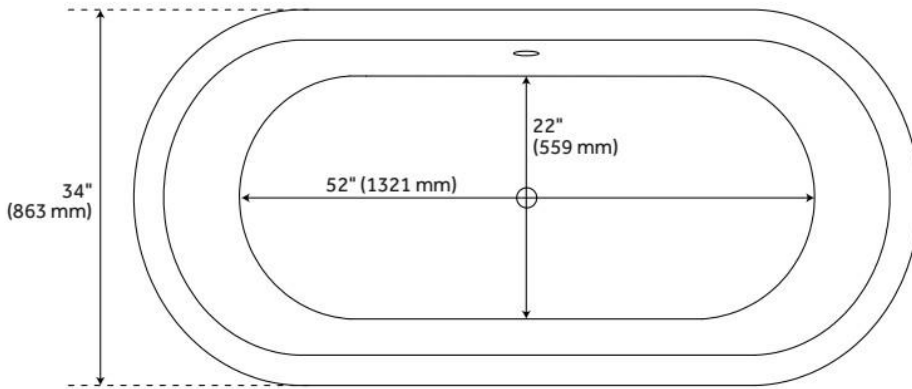
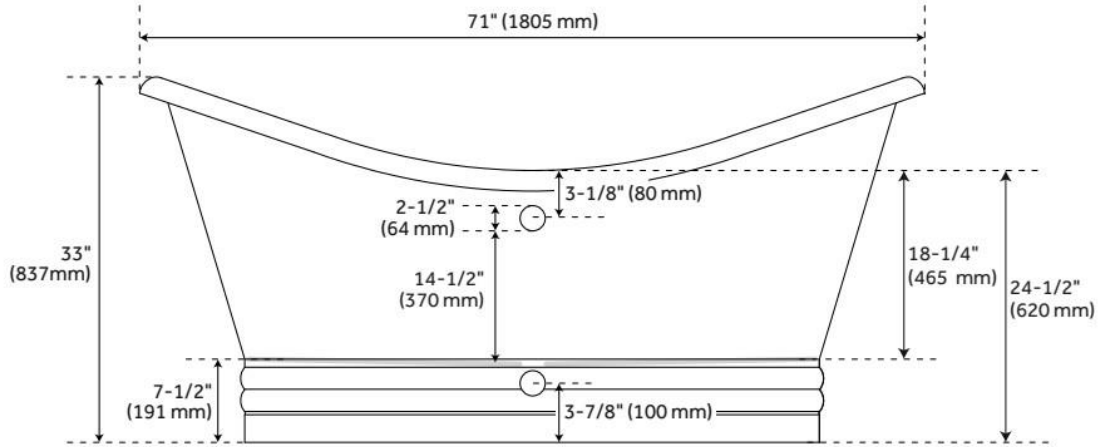
- Copper tubs are handmade and therefore unique. Expect slight variations in finish and dimensions ($\pm 1"$).
- Requires a freestanding tub filler or wall-mount faucet.
- To keep the tub in premium condition, it is recommended to not use anything abrasive for bathing or cleaning, including products like Epsom salts, bristle brushes, and harsh soaps.
- Overflow Drain will include: Extended Pop-Up Drain with Swivel Head, a Daisy Wheel overflow, which remain open to allow water into the drain.
- Optional Quick Connect Drop-In Drain Kit Includes:
 - Floor Plate, 1-1/2" PVC Pipe, 2" x 1-1/2" Trap Adapters, 1 Brass Threaded, 1 Brass Unthreaded Tailpiece and Plug.
 - Installs above your subfloor, but underneath your cement floor or tile, so you do not need access below the fixture.

REVISED 6/19/2024

71" ANASTASIA MOSAIC NICKEL-PLATED COPPER DOUBLE-SLIPPER TUB

SKU: 928320

Code: SH484138, SH484224, SH484223, SH484222, SH484221



REVISED 6/19/2024

EXTENDED POP-UP TUB DRAIN - SWIVEL HEAD - DAISY WHEEL OVERFLOW - 1-1/2" TUBING

SKU: 946608

Code: SH439810, SH439814, SH438544, SH438550, SH439809, SH439797, SH439791, SH439804, SH439800, SH439818, SH439793, SH438545, SH438546, SH439817, SH439803, SH439799, SH439815, SH439801, SH439792, SH439802, SH439806, SH438547, SH439795, SH439819, SH439811, SH439812, SH438548, SH439808, SH439805, SH439796, SH439794, SH438549, SH439813, SH439807, SH439816

FEATURES



LISTED ID: 510721, 510720, 510729, 510724



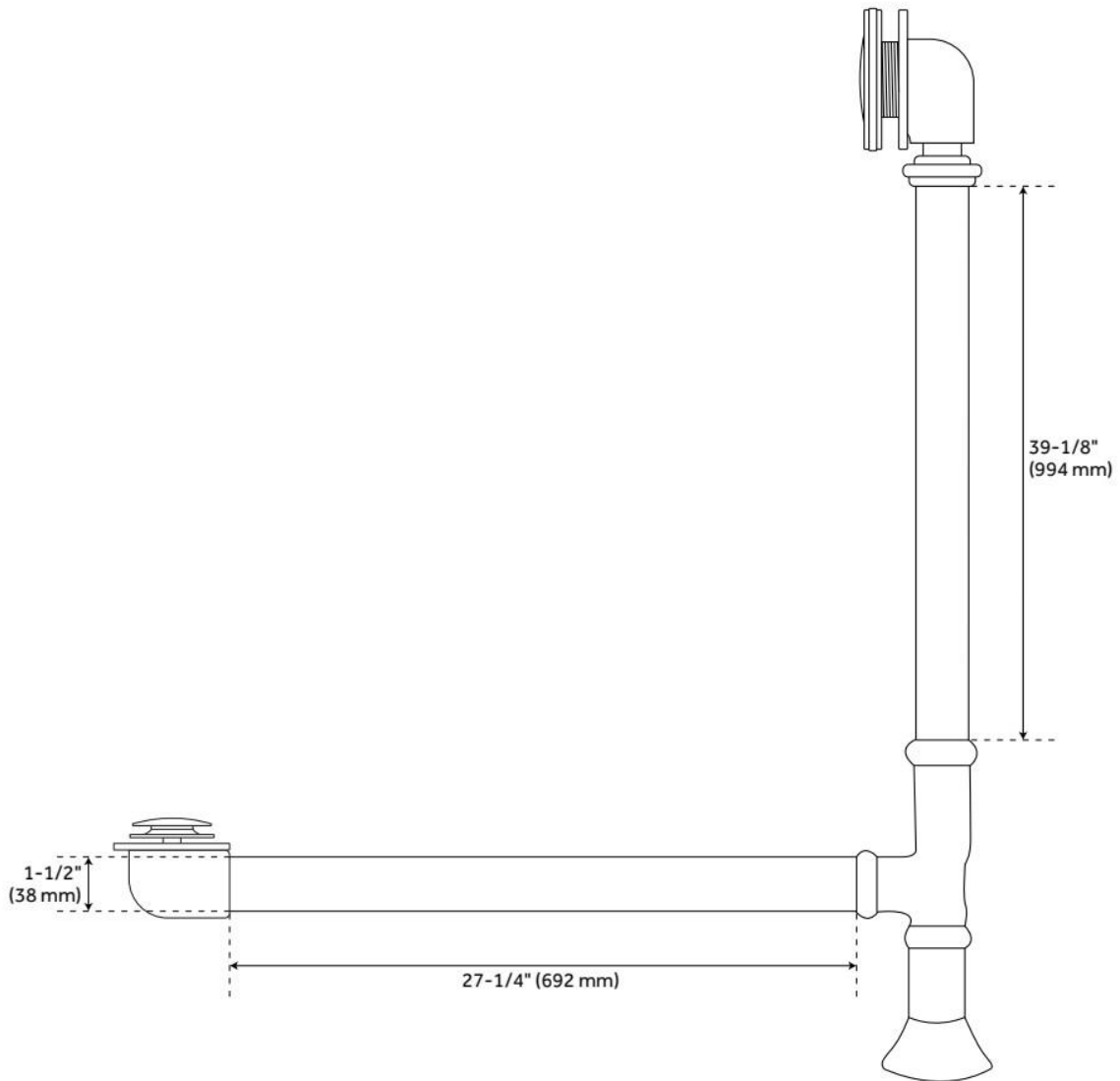
- Product is a Signature Hardware exclusive design.
- Overflow head swivels for use on most tubs, including those with a slanted wall.
- Adjustable overflow can be used on double wall tubs.
- Made from solid brass materials.
- 1-5/16" Thread length dimensions: 27-1/4" L drain pipe, 39-1/8" H overflow pipe. Accommodates tub walls up to 7/8" thick at overflow.
- 2-3/8" thread length dimensions: 27-1/4" L drain pipe, 39-1/8" H overflow pipe. Accommodates tub walls up to 1-3/4" thick at overflow.
- 2-15/16" thread length dimensions: 27-1/4" L drain pipe, 39-1/8" H overflow pipe. Accommodates tub walls up to 2-1/2" thick at overflow.
- 3-11/16" thread length dimensions: 27-1/4" L drain pipe, 39-1/8" H overflow pipe. Accommodates tub walls up to 3-3/8" thick at overflow.
- 4-1/4" thread length dimensions: 27-1/4" L drain pipe, 39-1/8" H overflow pipe. Accommodates tub walls up to 3-3/4" thick at overflow.

REVISED 6/17/2024

EXTENDED POP-UP TUB DRAIN - SWIVEL HEAD - DAISY WHEEL OVERFLOW - 1-1/2" TUBING

SKU: 946608

Code: SH439810, SH439814, SH438544, SH438550, SH439809, SH439797, SH439791, SH439804, SH439800, SH439818, SH439793, SH438545, SH438546, SH439817, SH439803, SH439799, SH439815, SH439801, SH439792, SH439802, SH439806, SH438547, SH439795, SH439819, SH439811, SH439812, SH438548, SH439808, SH439805, SH439796, SH439794, SH438549, SH439813, SH439807, SH439816



REVISED 6/17/2024