

# SET - DEEP DISPOSER FLANGE WITH STOPPER AND STRAINER BASKET WITH LIFT STOPPER - 3-1/2"

SKU: 930013

Code: SH163, SH171, SH498144



## FEATURES

Material: Brass

Fits Drain Hole Size: 3-1/2"

ASME A112.18.1/CSA B125.1, ASME A112.18.2/CSA B125.2, Massachusetts Accepted, LISTED ID: SH163\*\*, SH171\*\*



## ADDITIONAL FEATURES

- Disposer Flange Details:
- Compatible with all kitchen and bar sinks.
- Includes stopper.
- Fits most InSinkErator disposals and continuous feed three-bolt disposers with 3-3/8" I.D.
- Designed to accommodate sinks with extra-thick design.
- Disposer flange measures 2-3/8" deep overall.
- Disposer flange does not have threads.

REVISED 9/25/2024

# STRAINER BASKET WITH LIFT STOPPER - 3-1/2"

SKU: 902367  
Code: SH171



## FEATURES

Material: Brass  
Fits Drain Hole Size: 3-1/2"

ASME A112.18.1/CSA B125.1, ASME A112.18.2/CSA B125.2, Massachusetts Accepted, LISTED ID: SH171\*\*



## ADDITIONAL FEATURES

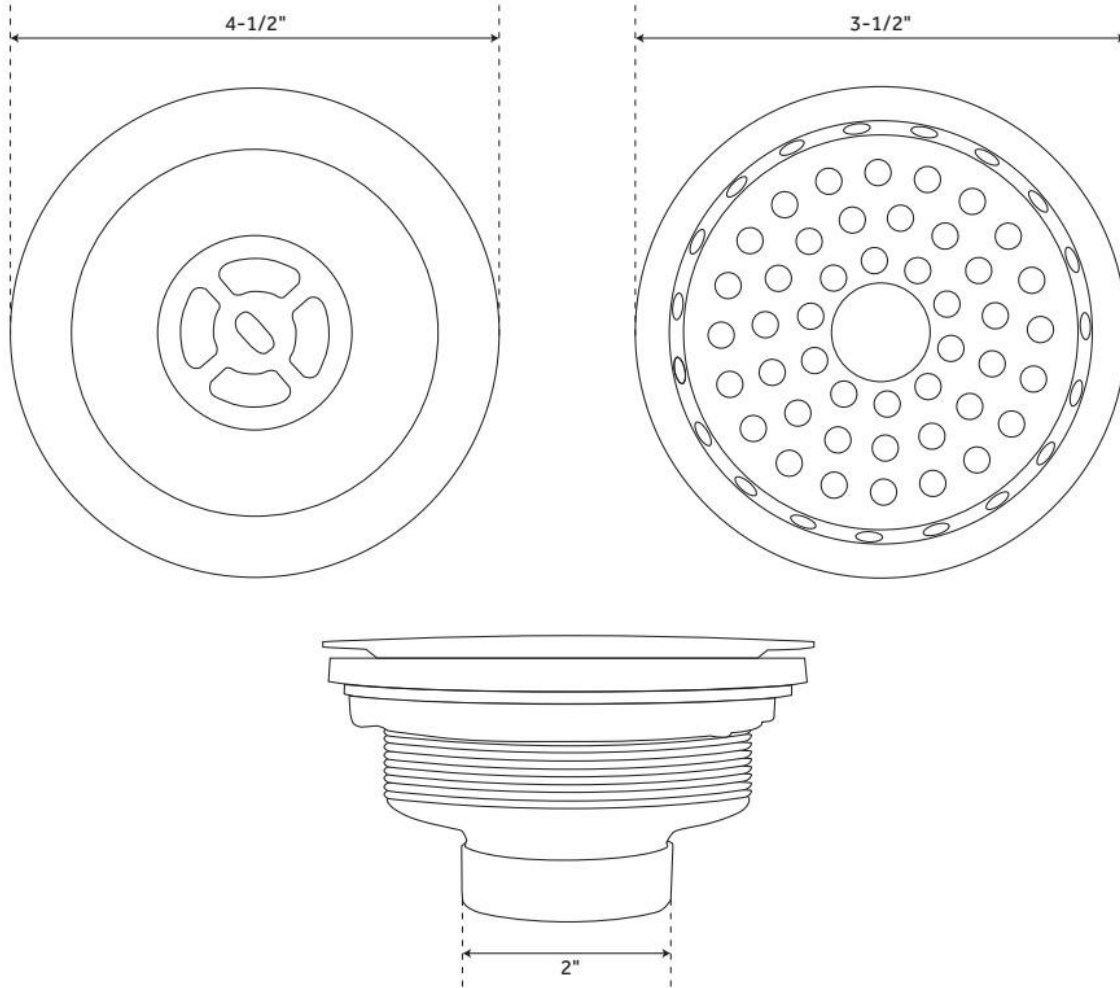
- Intended for use with 3-1/2" drain opening.
- Overall diameter: 4-3/8".

REVISED 9/25/2024

# STRAINER BASKET WITH LIFT STOPPER - 3-1/2"

SKU: 902367

Code: SH171



REVISED 9/25/2024

# DEEP DISPOSER FLANGE & STOPPER - 3-1/2"

SKU: 919214

Code: SH163, SH393687, SH393686



## FEATURES

Material: Brass

Fits Drain Hole Size: 3-1/2"

ASME A112.18.2/CSA B125.2, Massachusetts Accepted, LISTED ID: SH163\*\*



## ADDITIONAL FEATURES

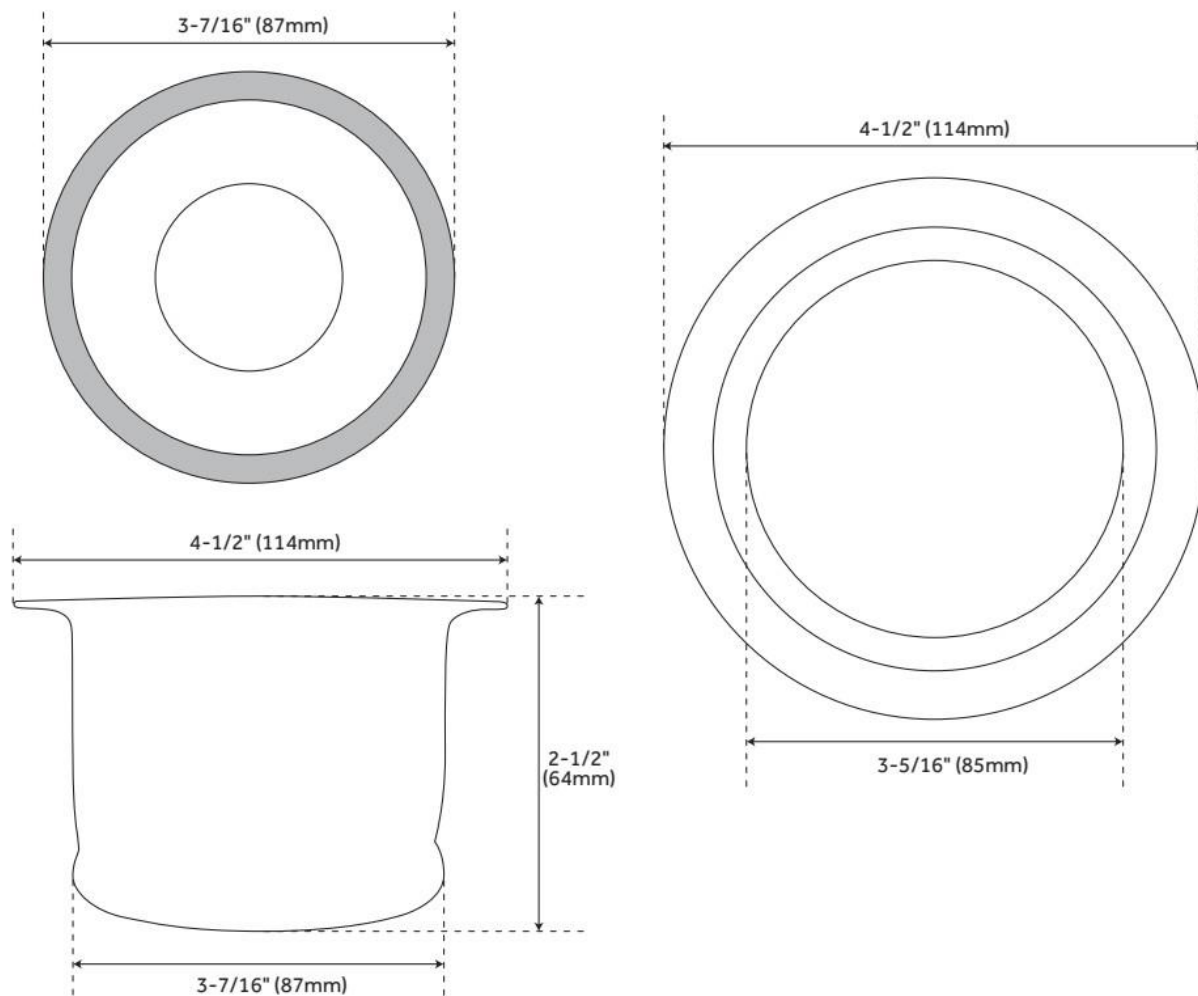
- Compatible with all kitchen and bar sinks.
- Includes stopper.
- Fits most InSinkErator disposals and continuous feed three-bolt disposers with 3-3/8" I.D.
- Designed to accommodate sinks with extra-thick design.
- Disposer flange measures 2-3/8" deep overall.
- Disposer flange does not have threads.

REVISED 7/12/2024

# DEEP DISPOSER FLANGE & STOPPER - 3-1/2"

SKU: 919214

Code: SH163, SH393687, SH393686



REVISED 7/12/2024