

59" ARRINGTON ACRYLIC FREESTANDING TUB

SKU: 930316-59

Code: SH480864, SH484652



FEATURES

Tub Material: Acrylic
Product Finish: White
Shape: Specialty
Tub Drain Placement: Center
Drain Included: Yes
Drain and Overflow Finish: White
Water Depth to Overflow: 18-3/4"
Water Capacity (Gallons): 59
Built-In Adjusters: Yes
Tub Weight Uncrated (lbs): 130
Optional Accessory: 428473

CSA B45.5/IAPMO Z124, Massachusetts Accepted, LISTED ID: SH112106*



ADDITIONAL FEATURES

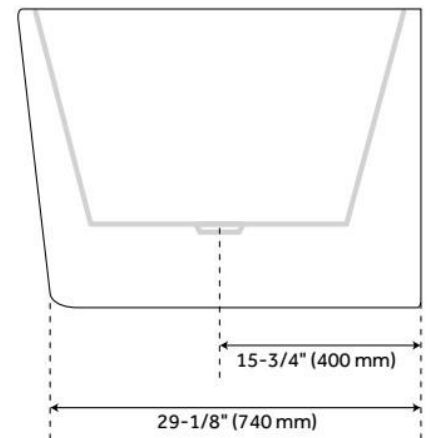
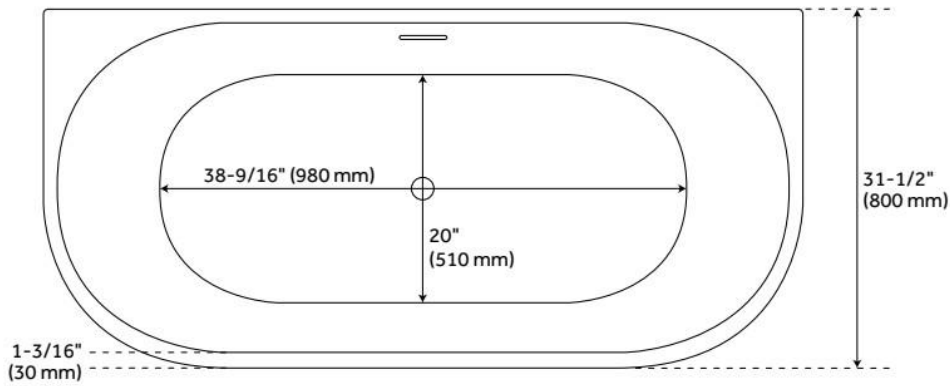
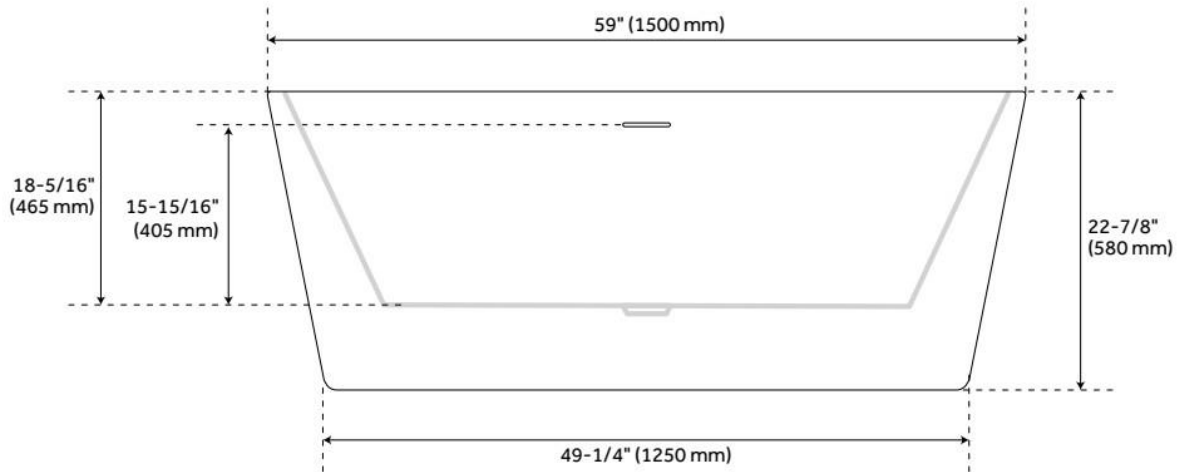
- All dimensions are ($\pm 1/2$ ").
- Formed of two acrylic sheets, the air between acting as thermal insulator.
- Insulation option: increases heat retention and prevents condensation due to water and air temperature fluctuations.
- Optional Quick Connect Drop-In Drain Kit Includes:
 - Floor Plate, 1-1/2" PVC Pipe, 2" x 1-1/2" Trap Adapters, 1 Brass Threaded, 1 Brass Unthreaded Tailpiece and Plug.
 - Installs above your subfloor, but underneath your cement floor or tile, so you do not need access below the fixture.

REVISED 6/26/2024

59" ARRINGTON ACRYLIC FREESTANDING TUB

SKU: 930316-59

Code: SH480864, SH484652



REVISED 6/26/2024