

# HINSON SHOWER SYSTEM WITH HAND SHOWER AND BODY SPRAYS

SKU: 930913

Code: SH414827, SH414828, SH414826



## FEATURES

Material: Brass

Hand Shower Spray: Full

Hand Shower Flow Rate: 1.8 gpm (6.8 L/min) @ 80 psi

Connection Type: 1/2" IPS

Cartridge Type: Thermostatic

LISTED ID: 515201, 515436, 517032, 518628, 518631, 526076, 515202, 515434, 518629, 518632, 530224, SH441091ORB, SH551\*\*, N/A, SH441091CP, SH441091BN, SH441092CP, 564678, 564679, SH441092BN



## ADDITIONAL FEATURES

- Solid brass construction.
- Shower system includes a wall mount shower head, hand shower, hand shower water connection, three body jets, and a thermostatic 3-way in-wall diverter.
- Diverter trim measures 5-3/4" L x 7-7/8" H.
- Diverter min/max installation depth: 1-1/2" - 2-1/8".
- Thermostatic technology keeps shower temperature  $\pm 1$  degree Celsius.
- Swivel body sprays overall dimensions: 2-1/2" diameter; spray dimensions: 1-1/8" diameter.
- Swivel body sprays projects 2-1/2" from wall.
- Body spray features a metal ball joint for swivel function and a 1/2" NPT male thread inlet.
- Hand shower water connection features a 1/2" IPS connection.
- 3-way diverter features 1/2" IPS inlets, and controls water flow between 3 shower outlets.
- Diverter includes the valve and metal lever handles.
- For water outlet configuration options consult a professional for installation.

REVISED 5/24/2024

# THERMOSTATIC CONCEALED MIXER WITH 3-WAY DIVERTER

SKU: 940105

Code: SH430480, SH430481



## FEATURES

Diverter Outlets: 4

IAPMO, ASME A112.18.1/CSA B125.1, ASSE 1016 Type T, LISTED ID: 526075, 526076



## ADDITIONAL FEATURES

- Thermostatic technology keeps shower temperature  $\pm 1$  degree Celsius.

REVISED 5/24/2024

# STANDARD SHOWER ARM

SKU: 909606

Code: SH551, SH404440, SH184270, SH233531, SH193782, SH213462, SH231889, SH233580, SH233553, SH231888, SH231893, SH231890, SH231891, SH231895, SH231892, SH233573, SH483685, SH257557, SH483686, SH257559, SH257560, SH231894

## FEATURES

Material: Brass

Connection Type: 1/2" NPT



LISTED ID: SH551\*\*, N/A, SH441091CP, SH441091BN, SH441091ORB, SH441092CP, 564678, 564679, SH441092BN



## ADDITIONAL FEATURES

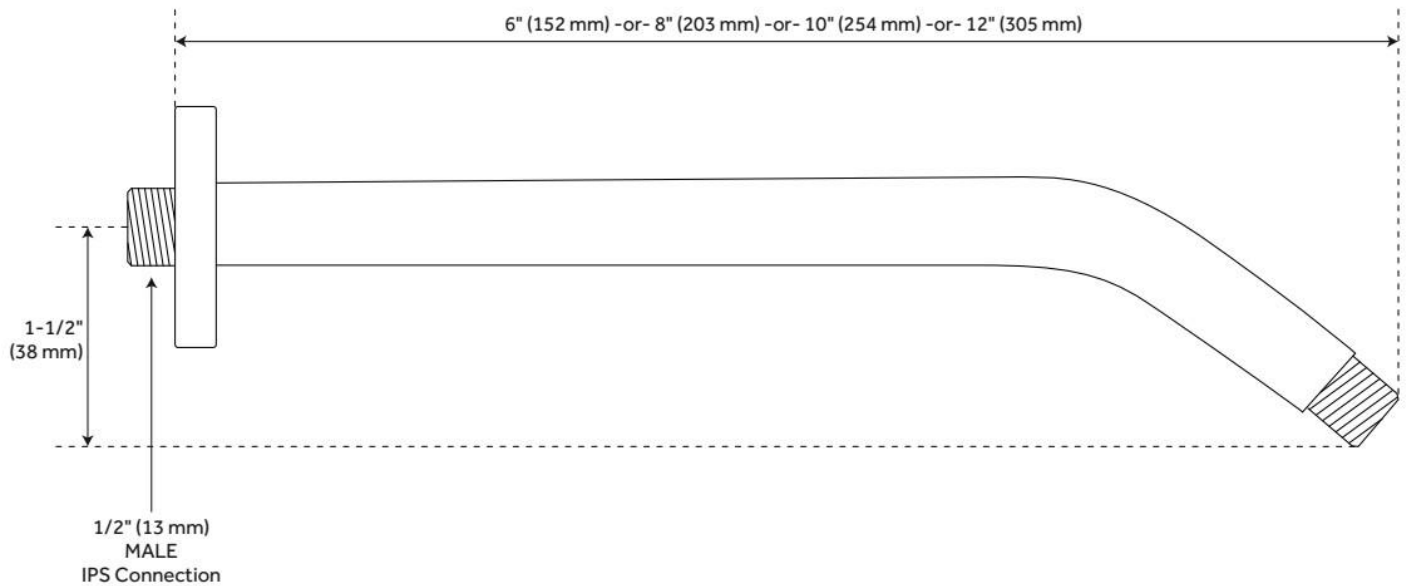
- Includes matching flange.

REVISED 5/24/2024

# STANDARD SHOWER ARM

SKU: 909606

Code: SH551, SH404440, SH184270, SH233531, SH193782, SH213462, SH231889, SH233580, SH233553, SH231888, SH231893, SH231890, SH231891, SH231895, SH231892, SH233573, SH483685, SH257557, SH483686, SH257559, SH257560, SH231894



REVISED 5/24/2024

# LAMBERT RAINFALL NOZZLE SHOWER HEAD

SKU: 926430

Code: SH434264, SH482200, SH393698, SH482199, SH412466, SH412467, SH412468, SH400048, SH400049, SH400050, SH214373, SH214372, SH214371, SH349142, SH349141, SH349140, SH349139, SH400004, SH349137, SH400053, SH400054, SH400055



## FEATURES

Material: Brass

CSA, LISTED ID: 564669, 564674, 515418, 515419, 515420, 515421, 515422, 515423, 515424, 515425, 515426, 515428, 515429, 515430, 515431, 515432, 515433, 515434, 515435, 515436



## ADDITIONAL FEATURES

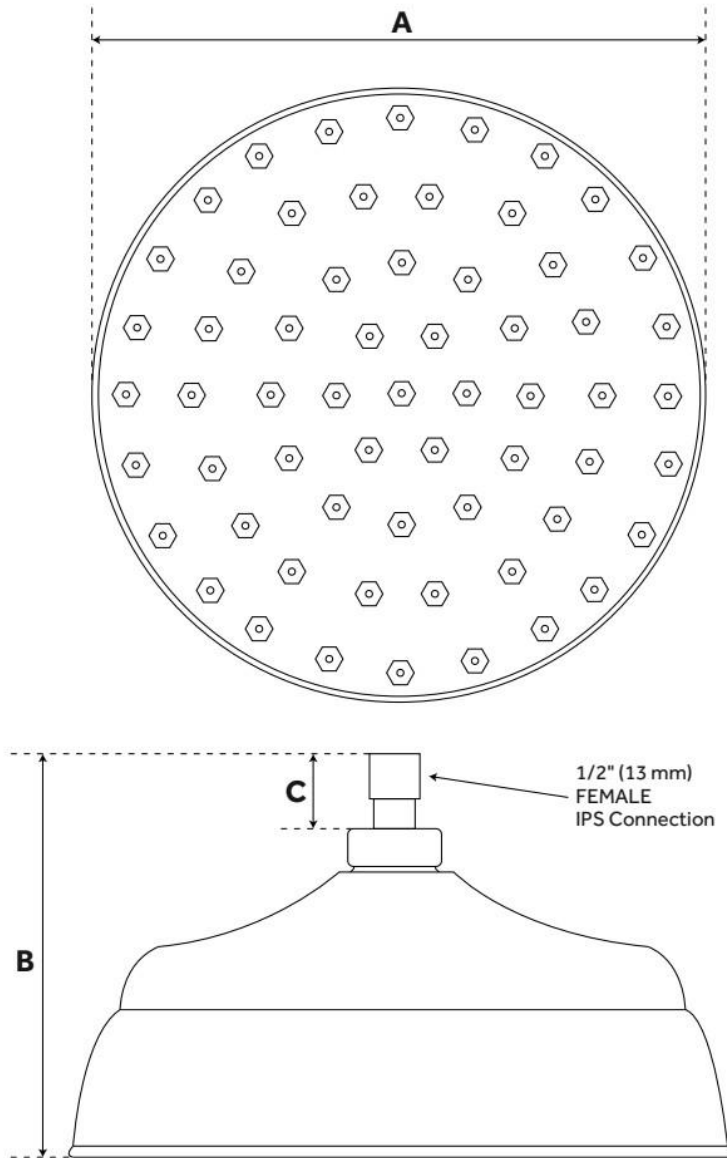
- 12", 14", and 17" shower heads do not swivel.

REVISED 5/24/2024

# LAMBERT RAINFALL NOZZLE SHOWER HEAD

SKU: 926430

Code: SH434264, SH482200, SH393698, SH482199, SH412466, SH412467, SH412468, SH400048, SH400049, SH400050, SH214373, SH214372, SH214371, SH349142, SH349141, SH349140, SH349139, SH400004, SH349137, SH400053, SH400054, SH400055



Reference A	Reference B	Reference C
5-1/2" (140 mm)	4" (102 mm)	2-5/16" (59 mm)
8" (203 mm)	4-1/2" (114 mm)	3-1/4" (82 mm)
10-1/4" (260 mm)	4-1/2" (114 mm)	2-3/4" (69 mm)
12" (305 mm)	5" (127 mm)	4-1/16" (104 mm)
14-1/8" (359 mm)	5-1/2" (140 mm)	4-9/16" (116 mm)
17" (432 mm)	6" (152 mm)	5-3/16" (132 mm)

REVISED 5/24/2024

# TUBULAR MODERN HAND SHOWER WITH RUBBER NOZZLES

SKU: 914216

Code: SH224359, SH224357, SH224361

## FEATURES

Material: Brass

Hand Shower Spray: Full

Hand Shower Flow Rate: 1.8 gpm (6.8 L/min) @ 80 psi



IAPMO, ASME A112.18.1/CSA B125.1, LISTED ID: 515200, 515201, 515202



## ADDITIONAL FEATURES

- Hand shower only.
- Hose sold separately.
- Replacement item.

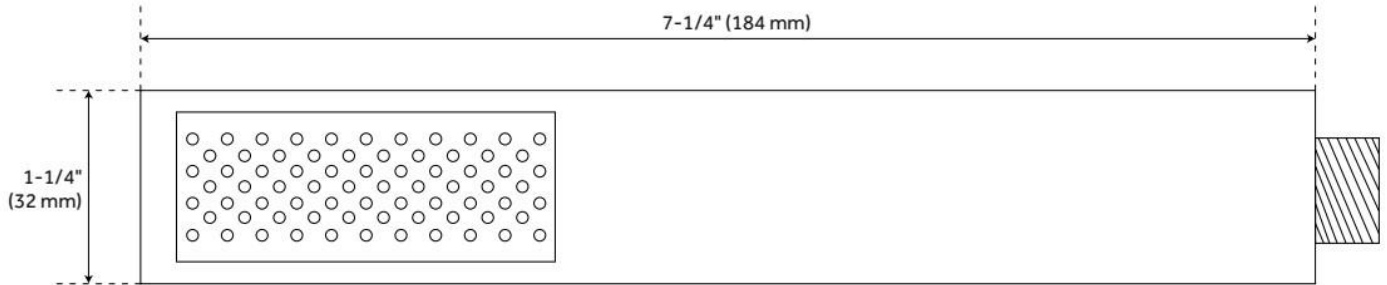
REVISED 5/24/2024

# TUBULAR MODERN HAND SHOWER WITH RUBBER NOZZLES

SKU: 914216

Code: SH224359, SH224357, SH224361

1/2" (13 mm)  
MALE  
Connection



REVISED 5/24/2024



# WATER SUPPLY ELBOW FOR HAND SHOWER WITH 1/2" WATER CONNECTION

SKU: 925917

Code: SH380055, SH380056, SH380057

## FEATURES

Material: Brass

Connection Type: 1/2" NPT



ASME A112.18.1/CSA B125.1, LISTED ID: 518630, 518631, 518632



## ADDITIONAL FEATURES

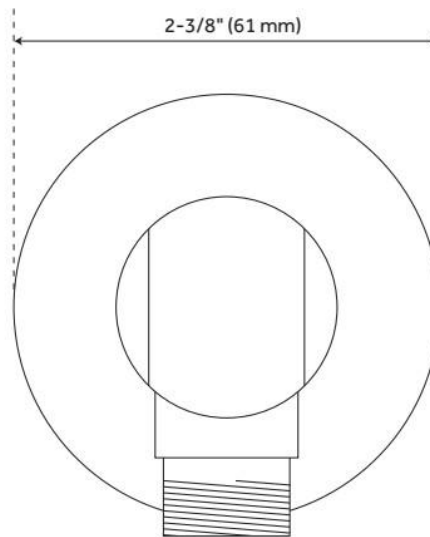
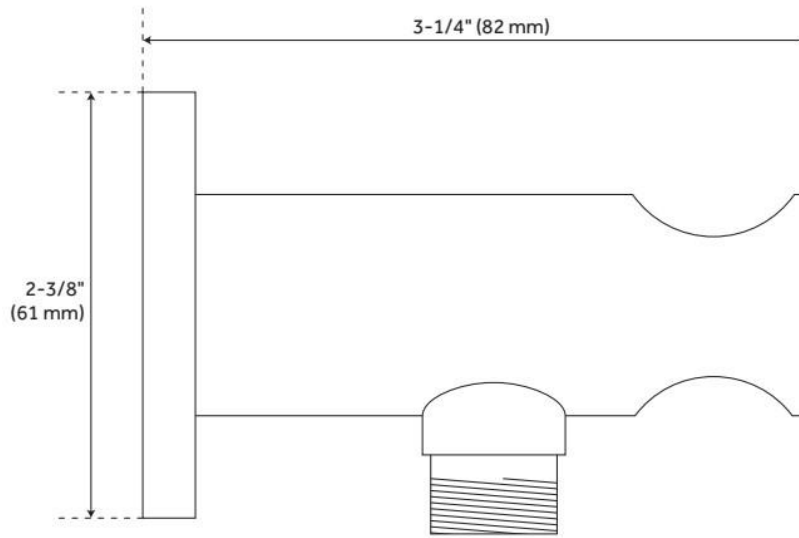
- Product has 1/2" male pipe thread connection at the wall

REVISED 5/24/2024

# WATER SUPPLY ELBOW FOR HAND SHOWER WITH 1/2" WATER CONNECTION

SKU: 925917

Code: SH380055, SH380056, SH380057



REVISED 5/24/2024

# HOSE FOR HAND SHOWER

SKU: 900594

Code: SH133721, SH114323, SH132126, SH418674

## FEATURES

Connection Type: 1/2" IPS



ASME A112.18.1/CSA B125.1, LISTED ID: 517032, 530224, 517033, 517060



## ADDITIONAL FEATURES

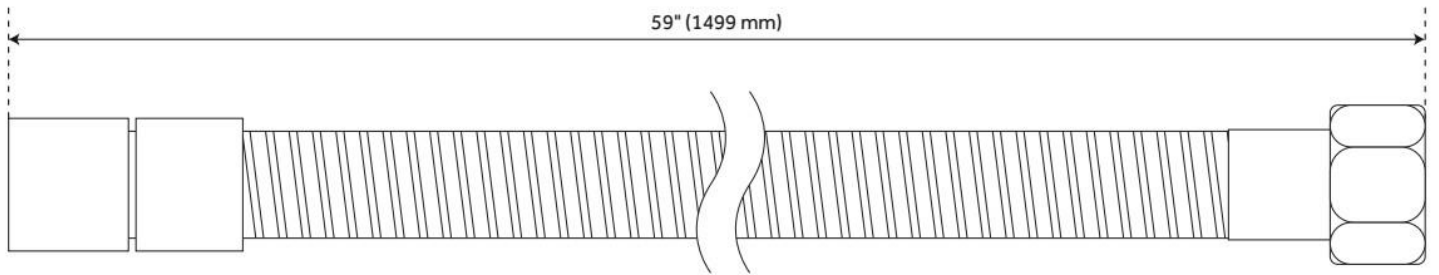
- Hand sprayer sold separately.

REVISED 5/24/2024

# HOSE FOR HAND SHOWER

SKU: 900594

Code: SH133721, SH114323, SH132126, SH418674



REVISED 5/24/2024

# CLASSIC SWIVEL BODY SPRAY

SKU: 922505

Code: SH350720, SH350719, SH350721



## FEATURES

Material: Brass

Shower Head Swivel: Yes

Flow Rate: 1.75 gpm (6.6 L/min) @ 80 psi

Connection Type: 1/2" IPS

ASME A112.18.1/CSA B125.1, LISTED ID: 518627, 518628, 518629



## ADDITIONAL FEATURES

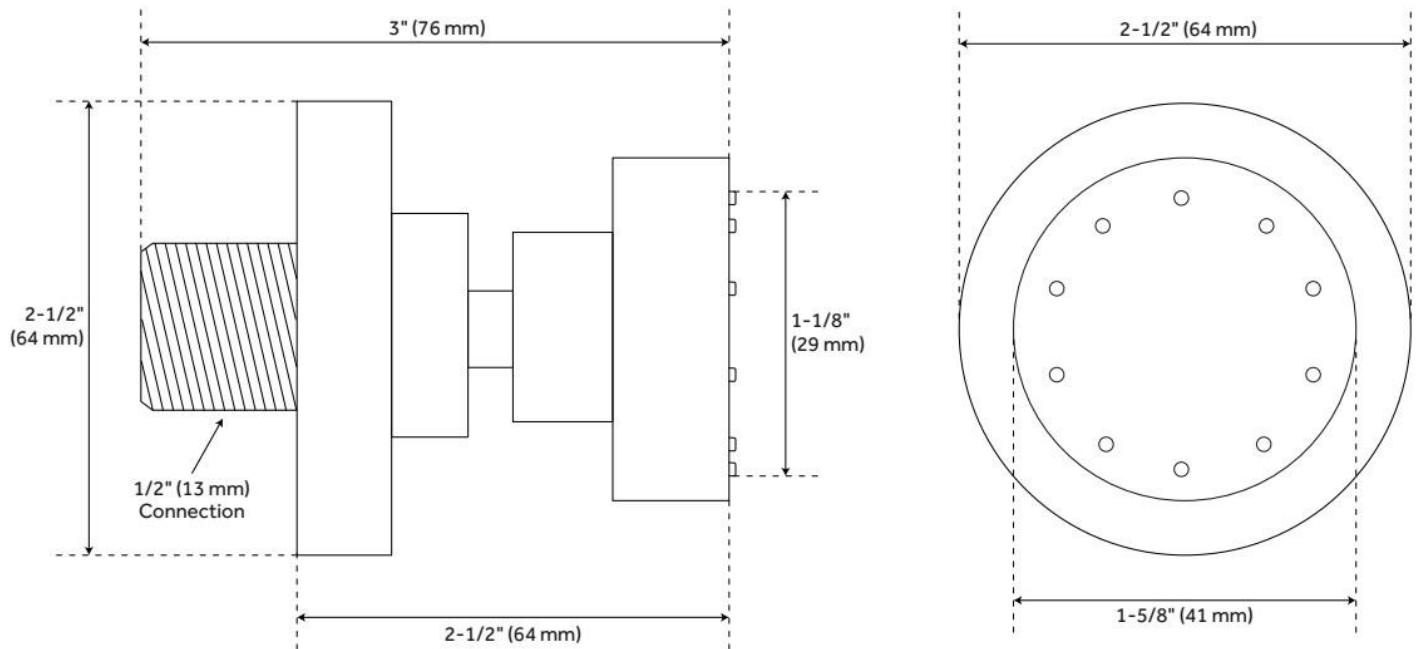
- Overall dimensions: 2-1/2" diameter.
- Projects 2-1/2" from the wall.
- Spray area measures: 1-1/8" diameter.
- Metal ball joint allows for swivel function.
- Wall mount.
- 1/2" NPT male thread inlet.
- Made of solid brass.
- Sold individually.

REVISED 5/24/2024

# CLASSIC SWIVEL BODY SPRAY

SKU: 922505

Code: SH350720, SH350719, SH350721



REVISED 5/24/2024