

# HINSON TUB AND SHOWER SET WITH MODERN SLIDE BAR

SKU: 930917

Code: SH414862, SH414863



## FEATURES

Material: Brass

Hand Shower Spray: Full

Hand Shower Flow Rate: 1.8 gpm (6.8 L/min) @ 80 psi

Connection Type: 1/2" IPS

Cartridge Type: Thermostatic

LISTED ID: 518601, 518627, PF1092, 526075, SH4410002\*, 518602, 518628, 526076, SH441001\*



## ADDITIONAL FEATURES

- Solid brass construction.
- Shower system includes a wall-mount slide bar with hand shower, hand shower water connection, three body jets, tub spout, and a thermostatic 3-way in-wall diverter.
- Diverter trim measures 5-3/4" L x 7-7/8" H.
- Diverter min/max installation depth: 1-1/2" - 2-1/8".
- Thermostatic technology keeps shower temperature  $\pm 1$  degree Celsius.
- Swivel body sprays overall dimensions: 2-1/2" diameter; spray dimensions: 1-1/8" diameter.
- Swivel body sprays projects 2-1/2" from wall.
- Body spray features a metal ball joint for swivel function and a 1/2" NPT male thread inlet.
- Slide bar center-to-center measurement: 27-5/8".
- Slide bar overall height: 29-1/2".
- Hand shower spray area: 3/8" L x 2-3/8" H.
- Hand shower water connection features a 1/2" IPS connection.

REVISED 5/24/2024

# THERMOSTATIC CONCEALED MIXER WITH 3-WAY DIVERTER

SKU: 940105

Code: SH430480, SH430481



## FEATURES

Diverter Outlets: 4

IAPMO, ASME A112.18.1/CSA B125.1, ASSE 1016 Type T, LISTED ID: 526075, 526076



## ADDITIONAL FEATURES

- Thermostatic technology keeps shower temperature  $\pm 1$  degree Celsius.

REVISED 5/24/2024

# SCHILLER SLIDE BAR AND TUBULAR MODERN HAND SHOWER

SKU: 922513

Code: SH354532, SH354533, SH354534



## FEATURES

Material: Brass

Hand Shower Spray: Full

Hand Shower Flow Rate: 2.0 gpm (7.6 L/min) @ 80 psi

LISTED ID: 518601, 518602, SH441001\*



## ADDITIONAL FEATURES

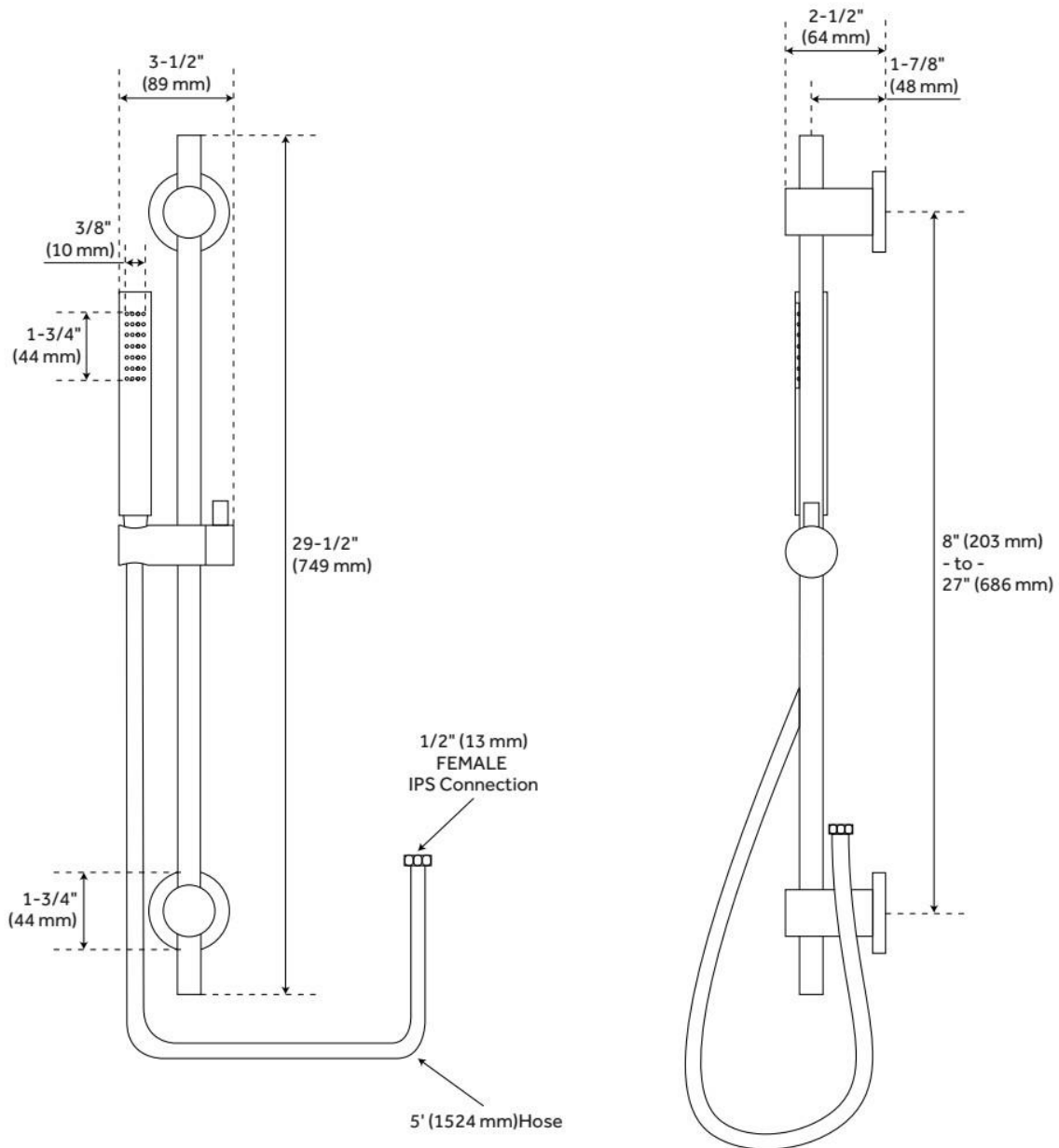
- Slide bar base plate diameter: 1-3/4"
- Hand shower spray area: 3/8" L x 2-3/8" H.

REVISED 5/24/2024

# SCHILLER SLIDE BAR AND TUBULAR MODERN HAND SHOWER

SKU: 922513

Code: SH354532, SH354533, SH354534



REVISED 5/24/2024

# CLASSIC SWIVEL BODY SPRAY

SKU: 922505

Code: SH350720, SH350719, SH350721



## FEATURES

Material: Brass

Shower Head Swivel: Yes

Flow Rate: 1.75 gpm (6.6 L/min) @ 80 psi

Connection Type: 1/2" IPS

ASME A112.18.1/CSA B125.1, LISTED ID: 518627, 518628, 518629



## ADDITIONAL FEATURES

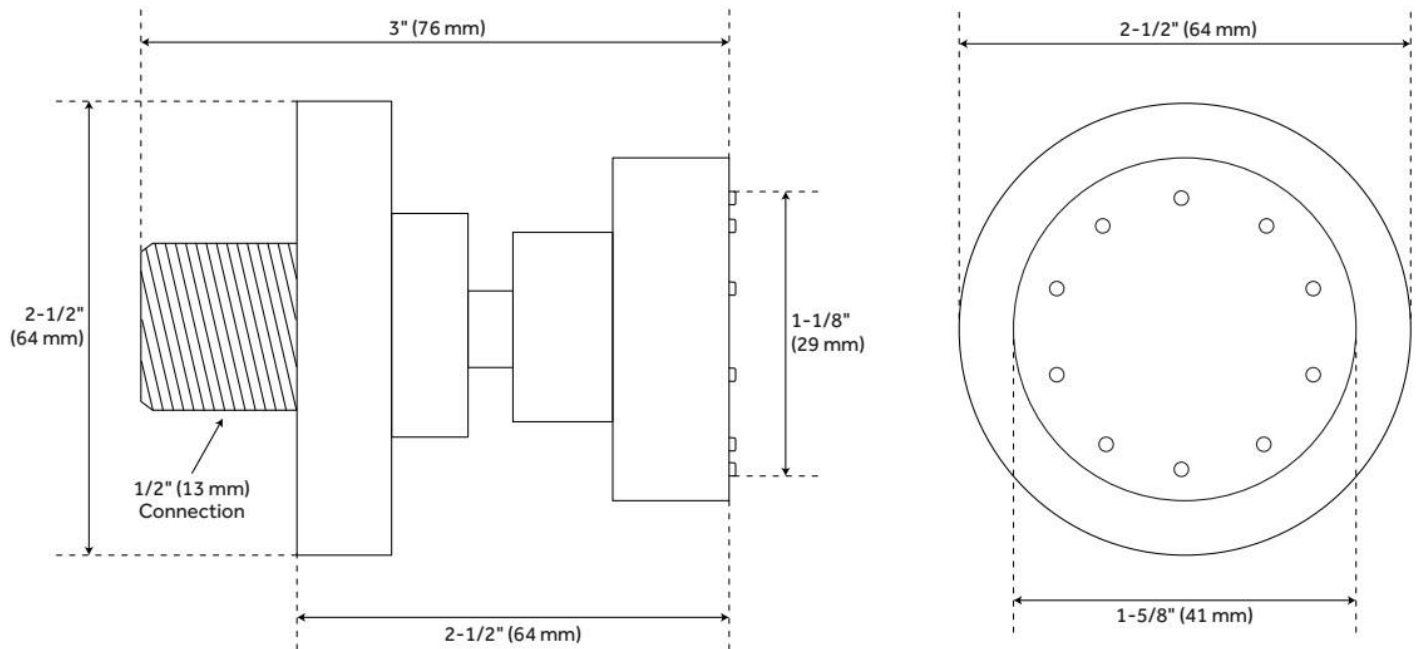
- Overall dimensions: 2-1/2" diameter.
- Projects 2-1/2" from the wall.
- Spray area measures: 1-1/8" diameter.
- Metal ball joint allows for swivel function.
- Wall mount.
- 1/2" NPT male thread inlet.
- Made of solid brass.
- Sold individually.

REVISED 5/24/2024

# CLASSIC SWIVEL BODY SPRAY

SKU: 922505

Code: SH350720, SH350719, SH350721



REVISED 5/24/2024

# TRIMBLE TUB SPOUT

SKU: 931786  
Code: PF1092, SH561

## FEATURES

Material: Metal  
Connection Type: 1/2" IPS  
Faucet Centers: Single-Hole



LISTED ID: PF1092

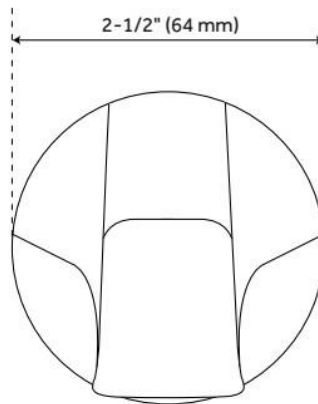
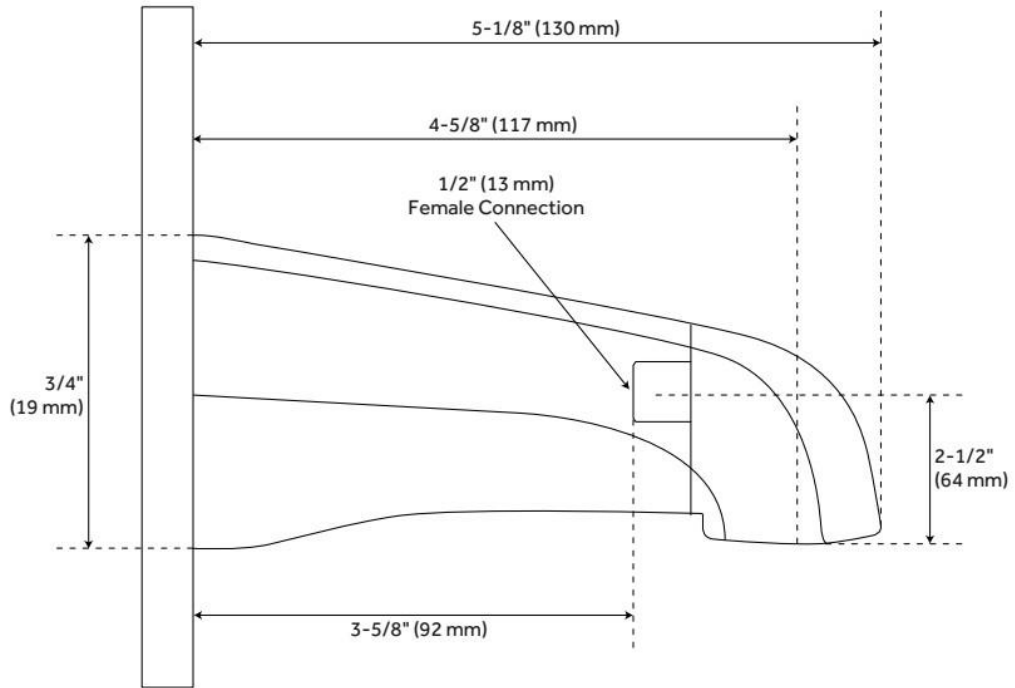
## ADDITIONAL FEATURES

- 1/2" IPS inlet.

REVISED 5/24/2024

# TRIMBLE TUB SPOUT

SKU: 931786  
Code: PF1092, SH561



REVISED 5/24/2024



# MODERN WATER SUPPLY ELBOW FOR HAND SHOWER

SKU: 936277

Code: SH425073, SH436969, SH425074



## FEATURES

Material: Brass

Connection Type: 1/2" NPT

ASME A112.18.1/CSA B125.1, Massachusetts Accepted, LISTED ID: SH4410002\*



## ADDITIONAL FEATURES

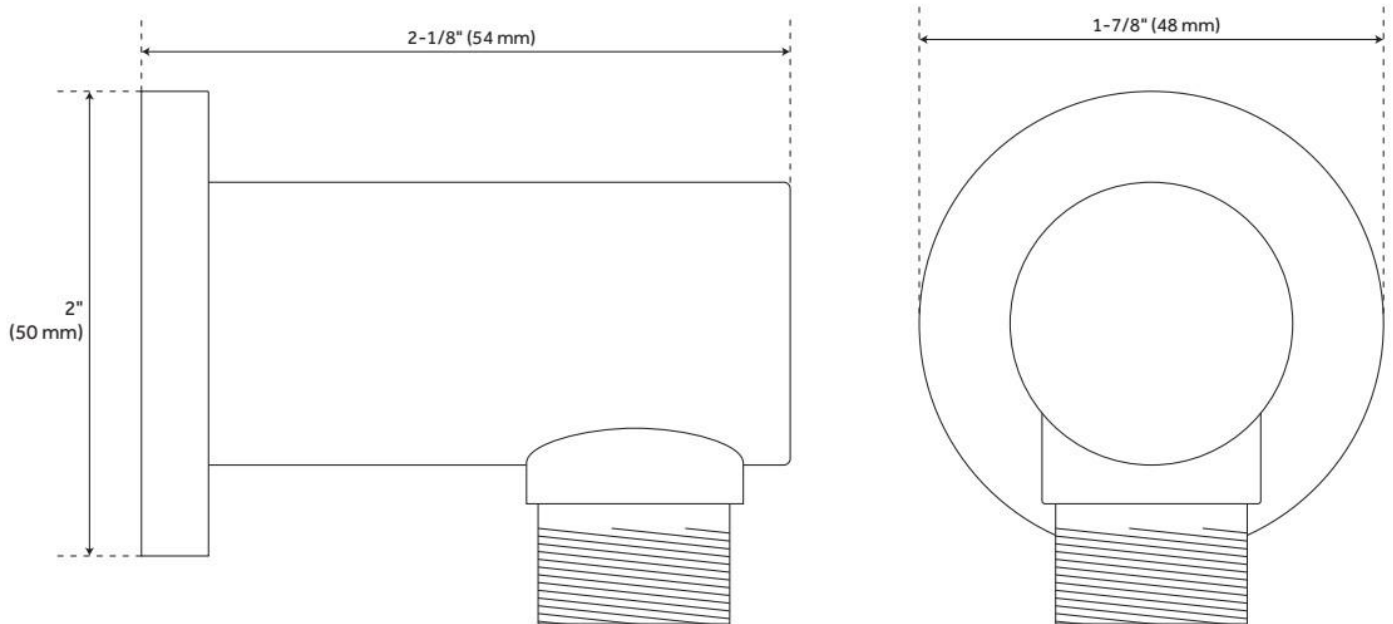
- Material: Solid Brass
- Length: 1-7/8"
- Width: 2"
- Height: 2-1/8"

REVISED 5/24/2024

# MODERN WATER SUPPLY ELBOW FOR HAND SHOWER

SKU: 936277

Code: SH425073, SH436969, SH425074



REVISED 5/24/2024