

LATTIMORE SHOWER SYSTEM WITH RAINFALL SHOWER HEAD & HAND SHOWER

SKU: 931419

Code: SH416163, SH416164, SH497940, SH497941



FEATURES

Material: Metal

Shower Head Swivel: Yes

Shower Head Spray: Rainfall

Shower Head Flow Rate: 1.8 gpm (6.8 L/min) @ 80 psi

Hand Shower Spray: Full

Hand Shower Flow Rate: 1.8 gpm (6.8 L/min) @ 80 psi

Connection Type: 1/2" IPS

Diverter Outlets: 2

Cartridge Type: Ceramic Disc

IAPMO, ASME A112.18.1/CSA B125.1, LISTED ID: 526033, 526034, 575951, 575952



ADDITIONAL FEATURES

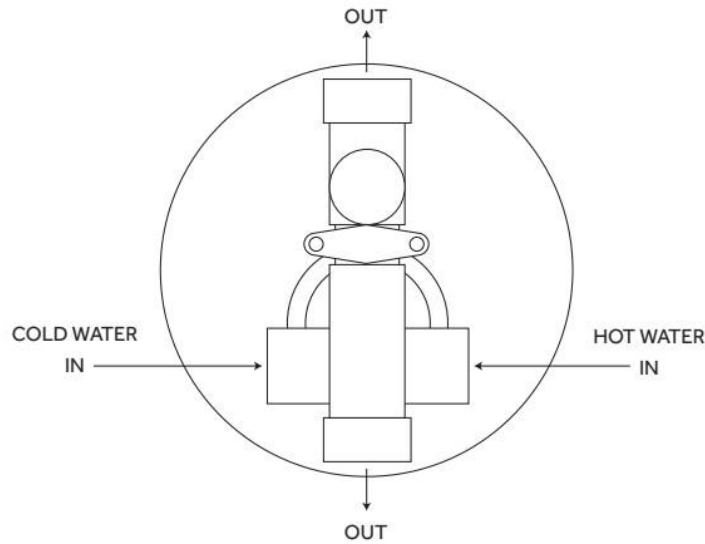
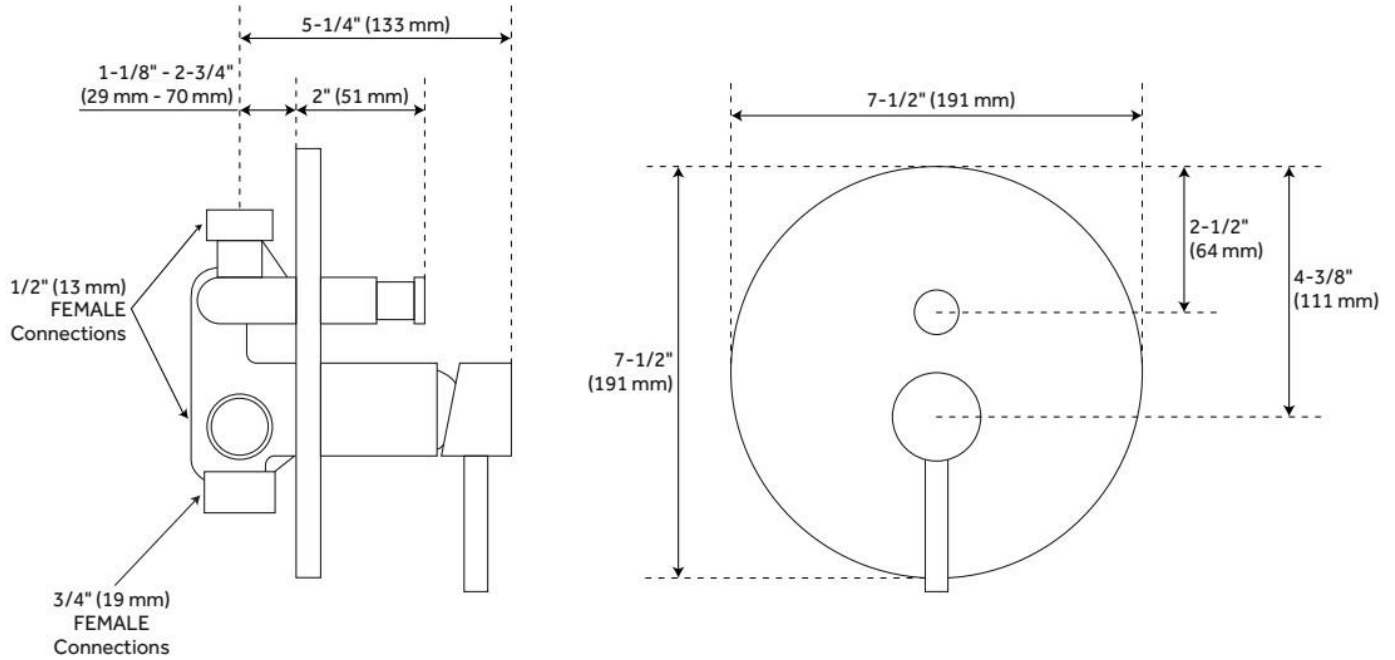
- Shower system includes wall mount rainfall shower head, wall mount hand shower, hand shower water connection and a 2-way in-wall diverter.
- 2-way diverter features 1/2" IPS inlets, and controls water flow between 2 shower outlets.
- Diverter includes the valve, metal lever handle and push button knob.

REVISED 9/12/2024

LATTIMORE SHOWER SYSTEM WITH RAINFALL SHOWER HEAD & HAND SHOWER

SKU: 931419

Code: SH416163, SH416164, SH497940, SH497941

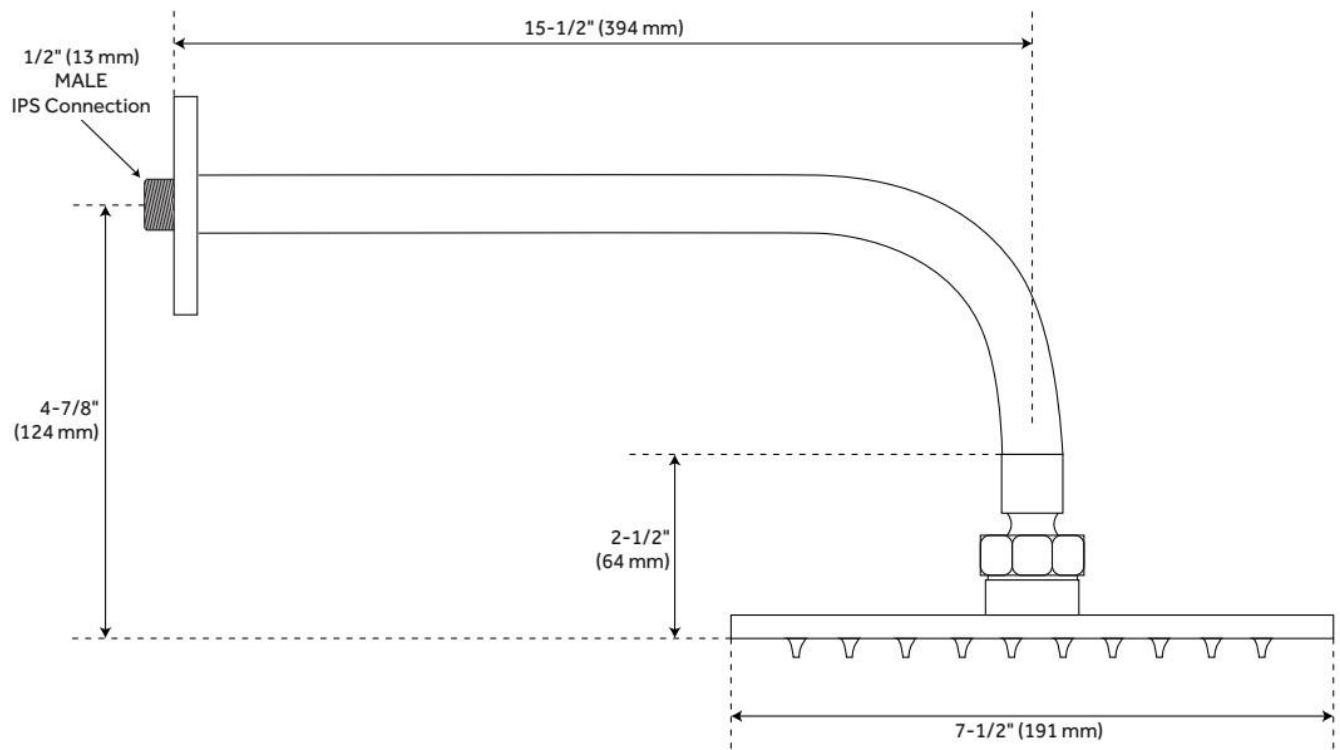


REVISED 9/12/2024

LATTIMORE SHOWER SYSTEM WITH RAINFALL SHOWER HEAD & HAND SHOWER

SKU: 931419

Code: SH416163, SH416164, SH497940, SH497941

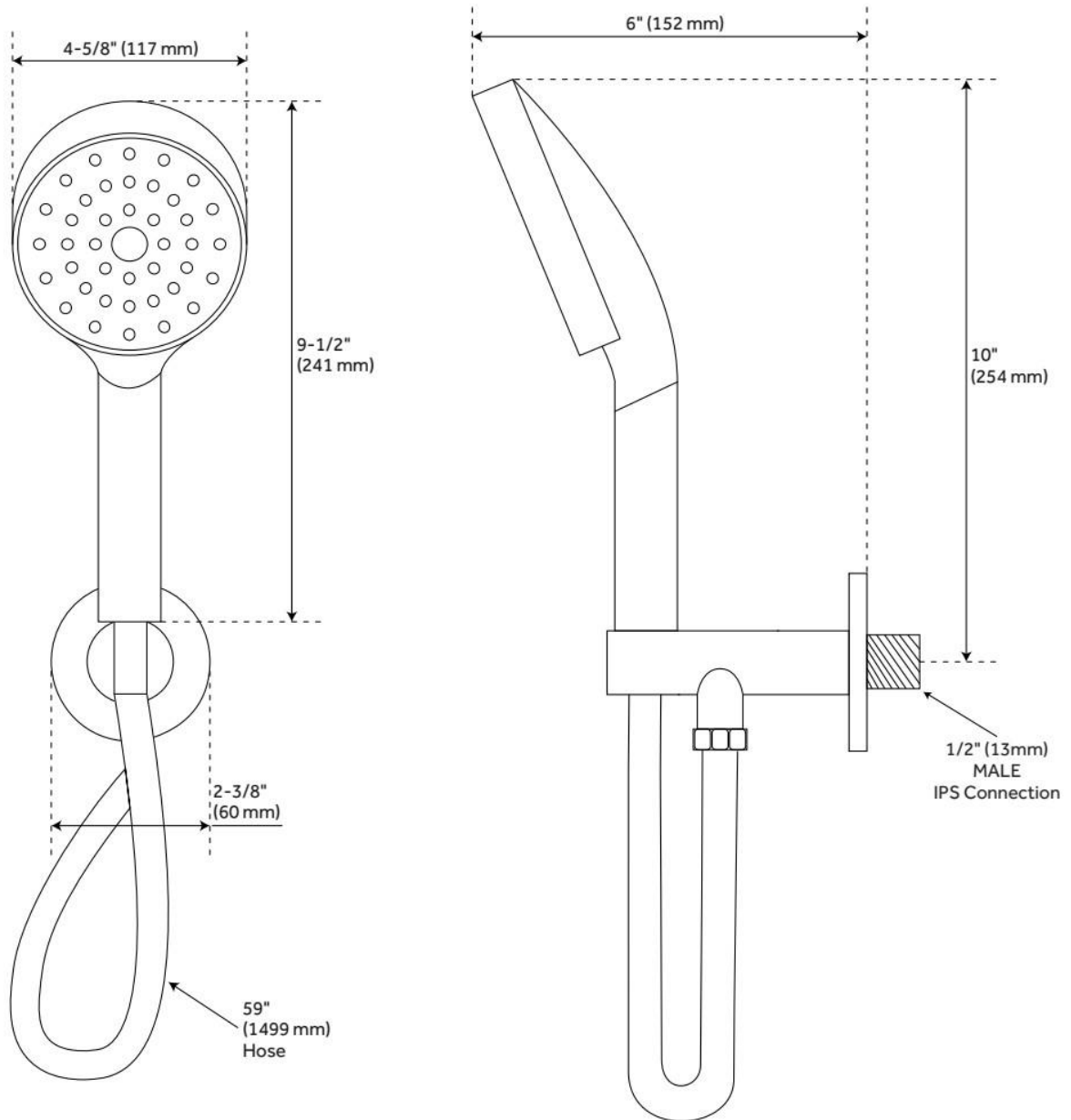


REVISED 9/12/2024

LATTIMORE SHOWER SYSTEM WITH RAINFALL SHOWER HEAD & HAND SHOWER

SKU: 931419

Code: SH416163, SH416164, SH497940, SH497941



REVISED 9/12/2024