

KNOX WATERFALL VESSEL FAUCET WITH POP-UP DRAIN

SKU: 931430

Code: SH416208, SH416210, SH418389, SH416212



FEATURES

Material: Metal construction for strength and durability

Installation Type: Vessel

Flow Rate: 1.2 gpm (4.5 L/min) @ 60 psi

Cartridge Type: Ceramic Disc

Swivel Spout: No

Drain Type: Metal push-pop with overflow

ASME A112.18.1/CSA B125.1, NSF/ANSI 372, NSF/ANSI 61, NSF/ANSI/CAN 61, NSF/ANSI/CAN 61-9:Q≤1, LISTED ID: SH449025*



ADDITIONAL FEATURES

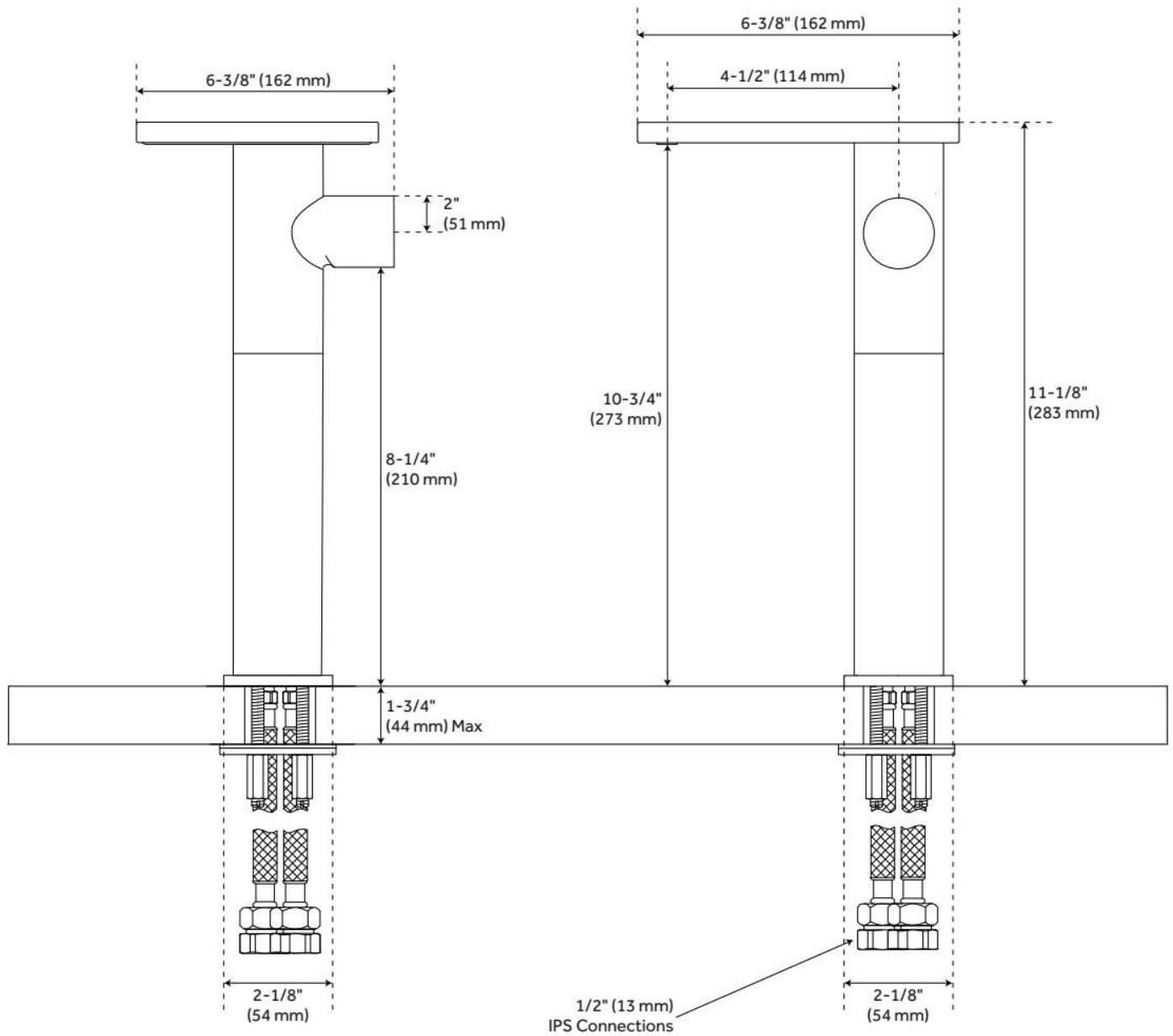
- Drain is compatible with sinks that have an overflow hole.

REVISED 5/21/2024

KNOX WATERFALL VESSEL FAUCET WITH POP-UP DRAIN

SKU: 931430

Code: SH416208, SH416210, SH418389, SH416212

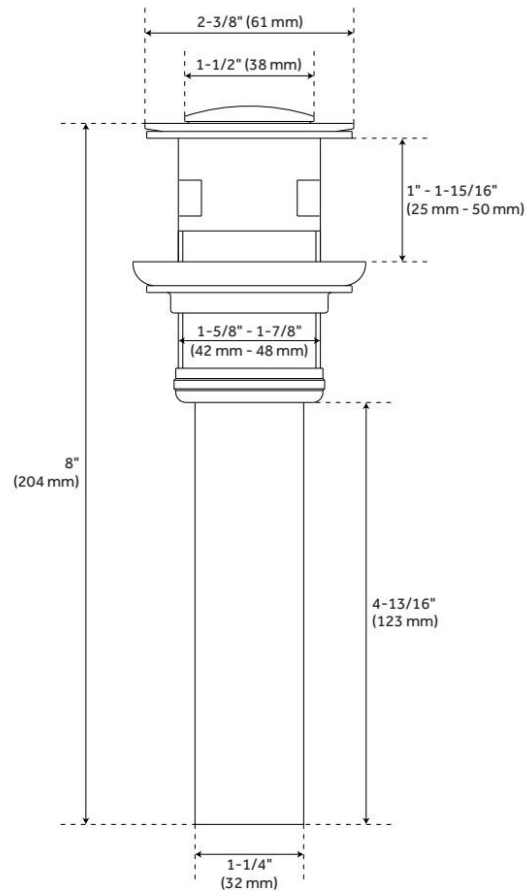


REVISED 5/21/2024

KNOX WATERFALL VESSEL FAUCET WITH POP-UP DRAIN

SKU: 931430

Code: SH416208, SH416210, SH418389, SH416212



REVISED 5/21/2024