

LINDO CENTERSET BATHROOM FAUCET

SKU: 932617

Code: SH418160, SH418157, SH418165, SH418163



FEATURES

Material: Metal construction for strength and durability

Installation Type: Centerset

Flow Rate: 1.2 gpm (4.5 L/min) @ 60 psi

Cartridge Type: Ceramic Disc

Swivel Spout: No

Drain Type: Metal push-pop with overflow

ASME A112.18.1/CSA B125.1, NSF/ANSI/CAN 61-9:Q \leq 1, LISTED ID: SH449036*



ADDITIONAL FEATURES

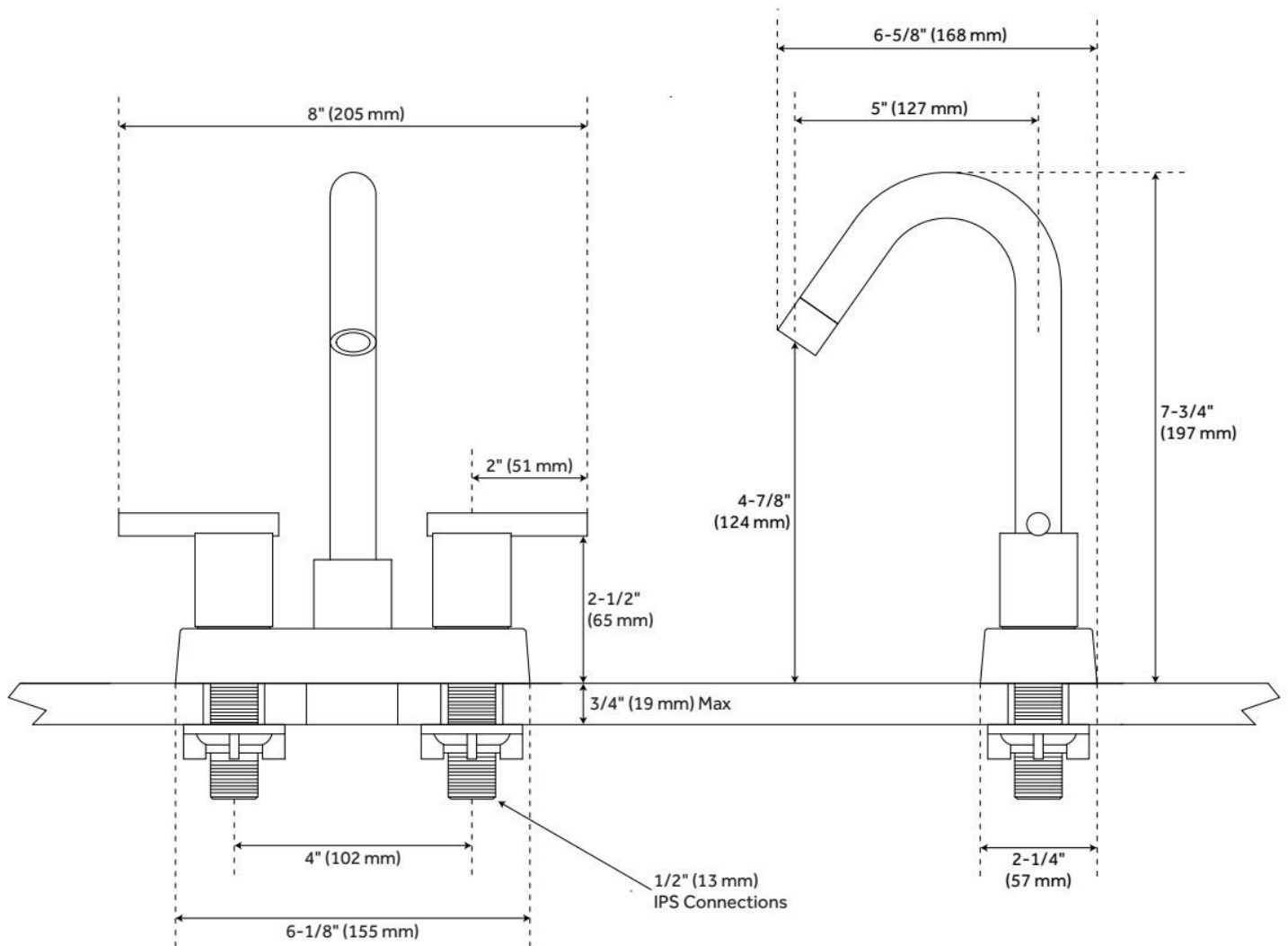
- Drain is compatible with sinks that have an overflow hole.

REVISED 5/21/2024

LINDO CENTERSET BATHROOM FAUCET

SKU: 932617

Code: SH418160, SH418157, SH418165, SH418163



REVISED 5/21/2024

LINDO CENTERSET BATHROOM FAUCET

SKU: 932617

Code: SH418160, SH418157, SH418165, SH418163



REVISED 5/21/2024