

RYLE SINGLE-HOLE BATHROOM FAUCET

SKU: 934419

Code: SH421565, SH421567



FEATURES

Material: Metal construction for strength and durability

Installation Type: Single-Hole

Flow Rate: 1.2 gpm (4.5 L/min) @ 60 psi

Cartridge Type: Ceramic Disc

Swivel Spout: No

Drain Type: Metal push-pop with overflow

ASSE 1016 Type P/T

ADDITIONAL FEATURES

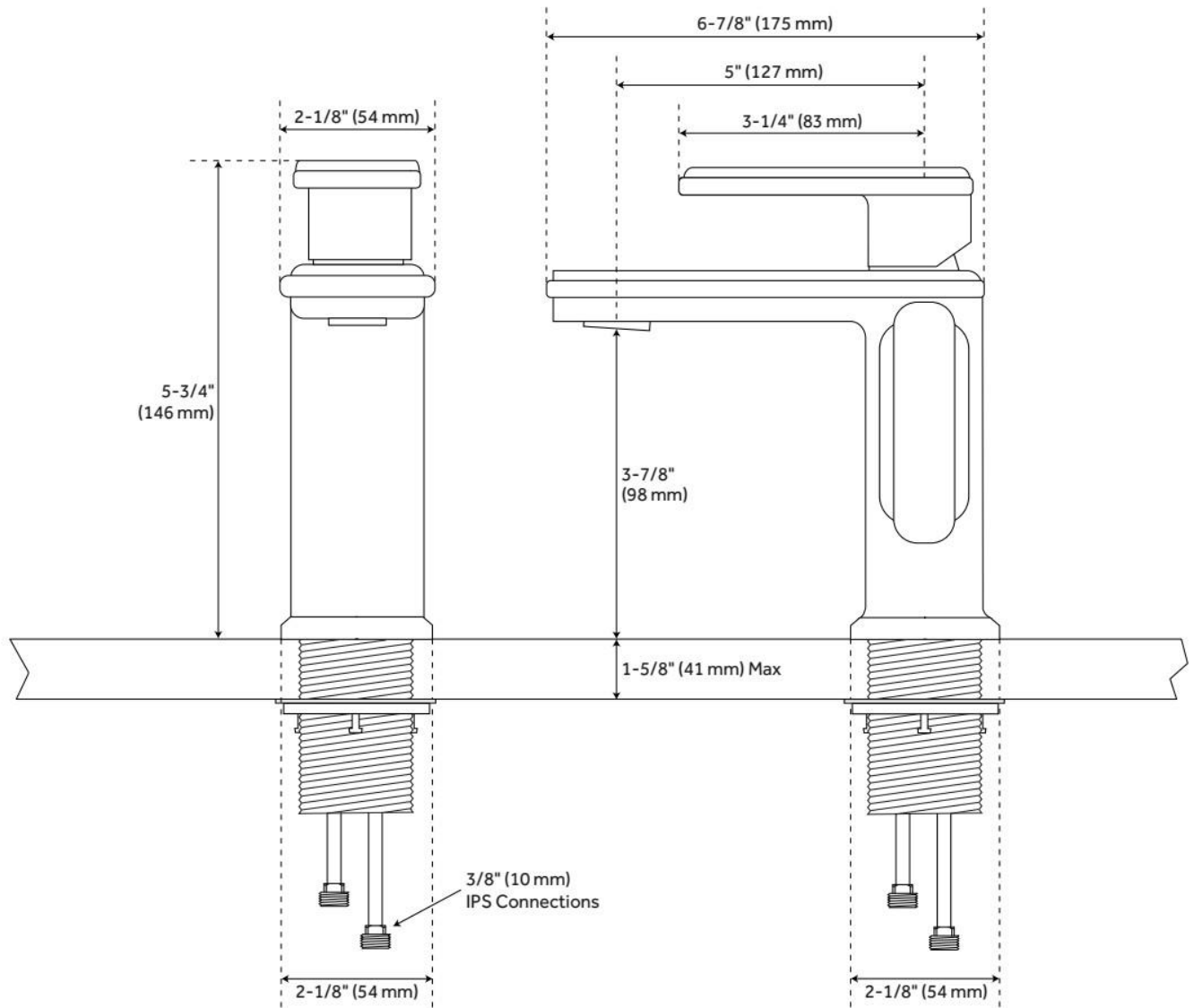
- Drain is compatible with sinks that have an overflow hole.

REVISED 5/15/2024

RYLE SINGLE-HOLE BATHROOM FAUCET

SKU: 934419

Code: SH421565, SH421567

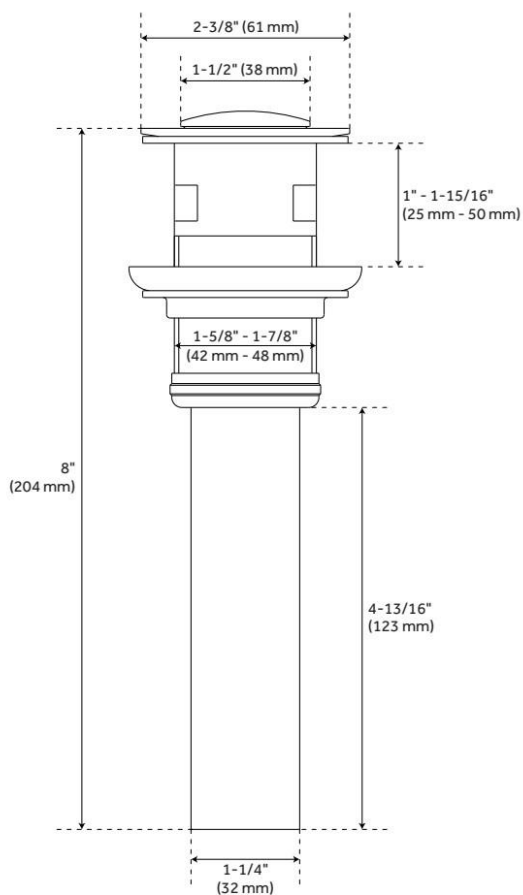


REVISED 5/15/2024

RYLE SINGLE-HOLE BATHROOM FAUCET

SKU: 934419

Code: SH421565, SH421567



REVISED 5/15/2024