

RYLE WALL-MOUNT RAINFALL SHOWER SET

SKU: 934428

Code: SH421601, SH421605, SH421606



FEATURES

Installation Type: Wall Mount
Features: Pressure-Balanced
Design: Modern
Material: Brass
Base Plate Height: 4-3/4"
Assembly Required: Yes
Shape: Square
Handle Type: Lever
Installation Type: Wall Mount
Base Plate Width: 4-3/4"
Shower Head Installation Type: Wall
Shower Head Material: Brass
Shower Head Spray: Rainfall
Shower Head Length: 7-3/4"
Shower Head Width: 7-3/4"
Shower Arm Included: Yes
Shower Arm Extension: 15-3/4"
Shower Head IPS: 1/2"
Shower Head Swivel: Yes
Valve Trim Width: 5-1/8"
Valve Trim Height: 10-7/8"
Shower Head Flow Rate: 1.8 gpm

REVISED 3/29/2023

RYLE WALL-MOUNT RAINFALL SHOWER SET

SKU: 934428

Code: SH421601, SH421605, SH421606



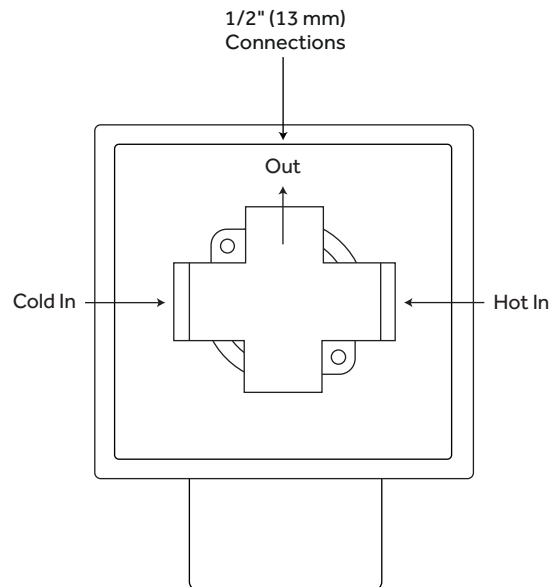
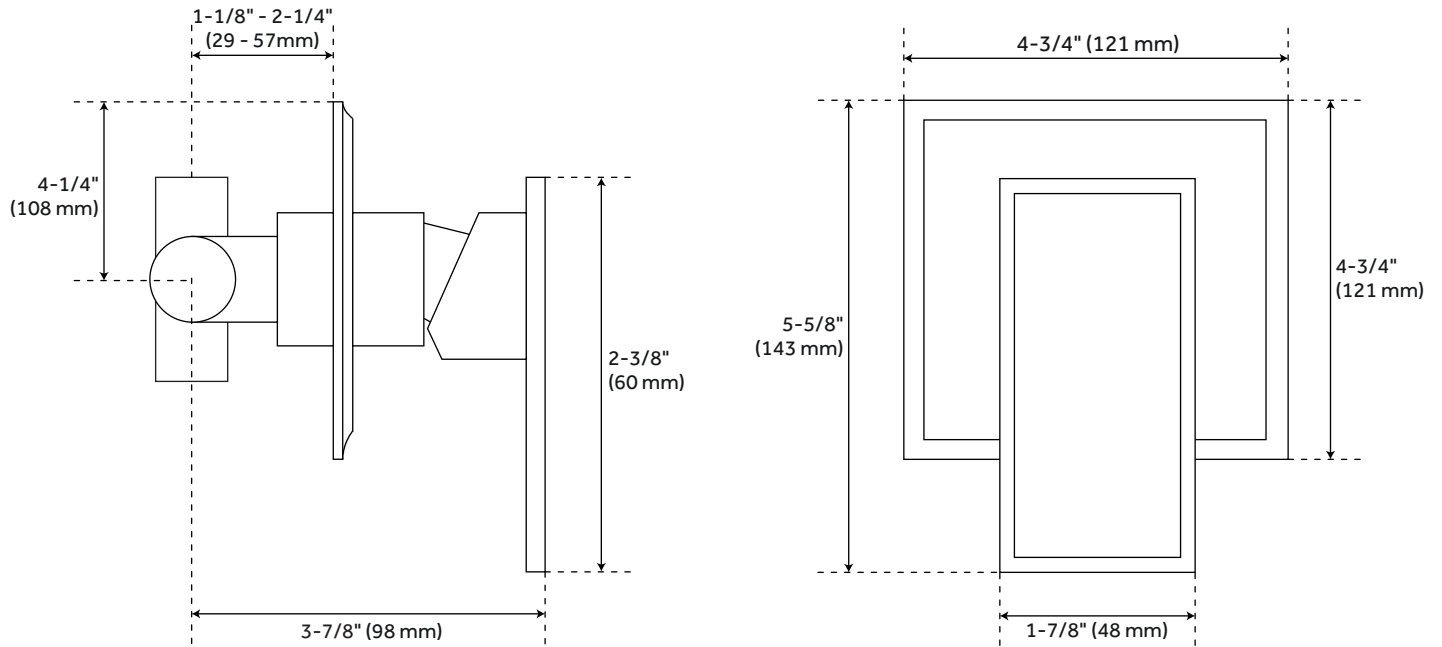
ADDITIONAL FEATURES

- 1/2" FIP inlets/outlets.
- Valve has two outlets and comes with a brass plug to restrict flow to unused outlet. Both outlets can be used if purchased with a separate diverter valve.

REVISED 3/29/2023

RYLE SHOWER VALVE

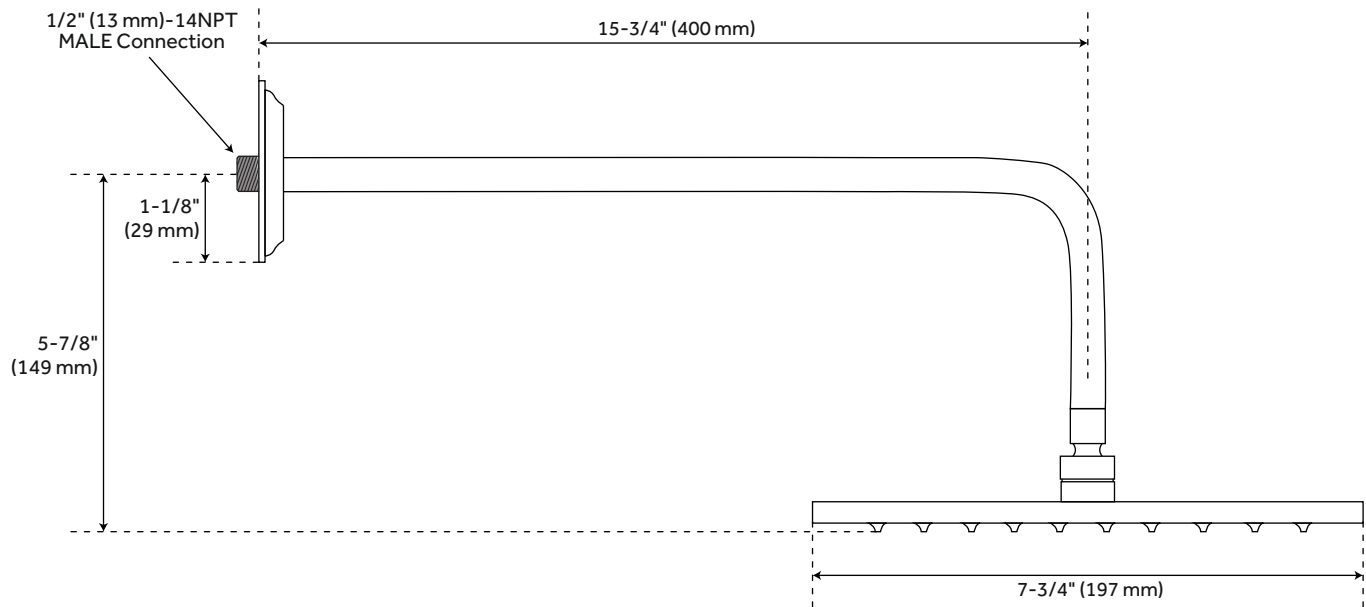
SKU: 934428



All dimensions and specifications are nominal and may vary. Use actual products for accuracy in critical situations.

RYLE WALL-MOUNT RAINFALL SHOWER HEAD

SKU: 934428



All dimensions and specifications are nominal and may vary. Use actual products for accuracy in critical situations.