

## RYLE RAINFALL SHOWER SET WITH HAND SHOWER

### INSTALLATION INSTRUCTIONS

Before you begin, read the installation instructions below. Observe all local building and safety codes.

Unpack and inspect the product for any shipping damages. If you find damages, do not install. Contact Customer Service at 1.855.715.1800. If you need assistance or have questions while installing your diverter valve, contact Customer Service.

We recommend consulting a professional if you are unfamiliar with installing bathroom fixtures, and plumbing. Signature Hardware accepts no liability for any damage to the plumbing or wall, or for personal injury during installation.

### TOOLS AND MATERIALS:

Screwdriver

Teflon Tape

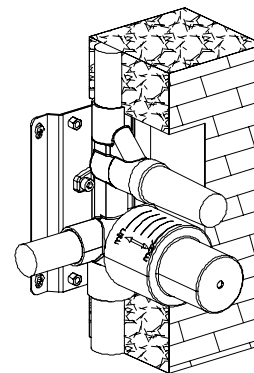
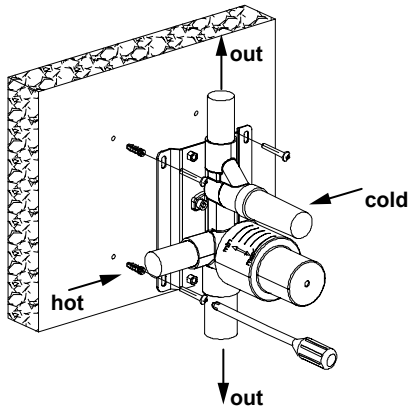
Adjustable Wrench

Smooth Joint Pliers

Soft Cloth

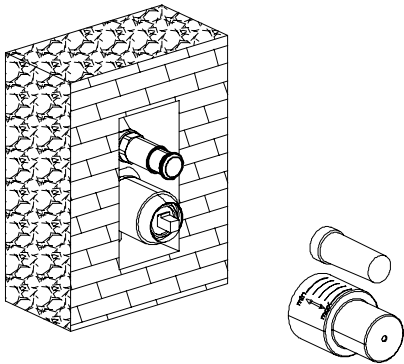
Silicone Sealant

### SHOWER VALVE INSTALLATION

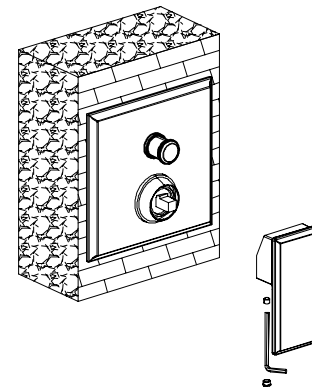


1. Install the valve body. Wrap the threaded portion of the joints in Teflon tape and connect the water inlet and outlet.

2. Put the protective covers on the valve body and finish the shower wall.



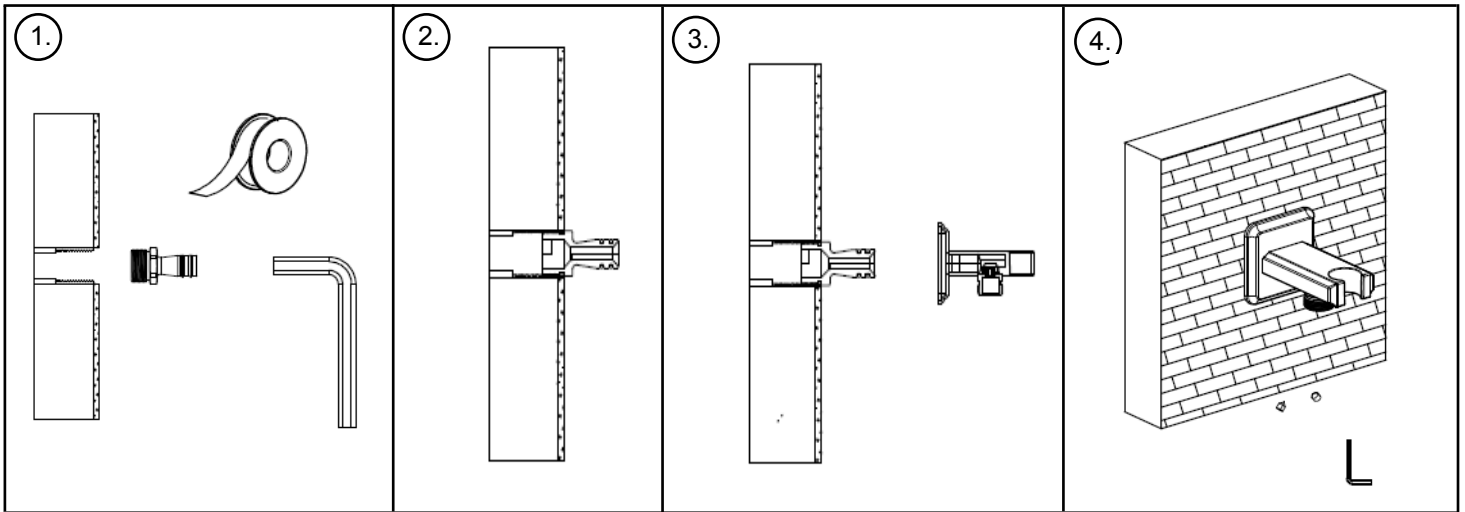
3. When the finished wall is complete, remove the protective covers.



4. Install the escutcheon, and handle. Tighten the set screw with an Allen wrench to secure.



## HAND SHOWER VALVE INSTALLATION

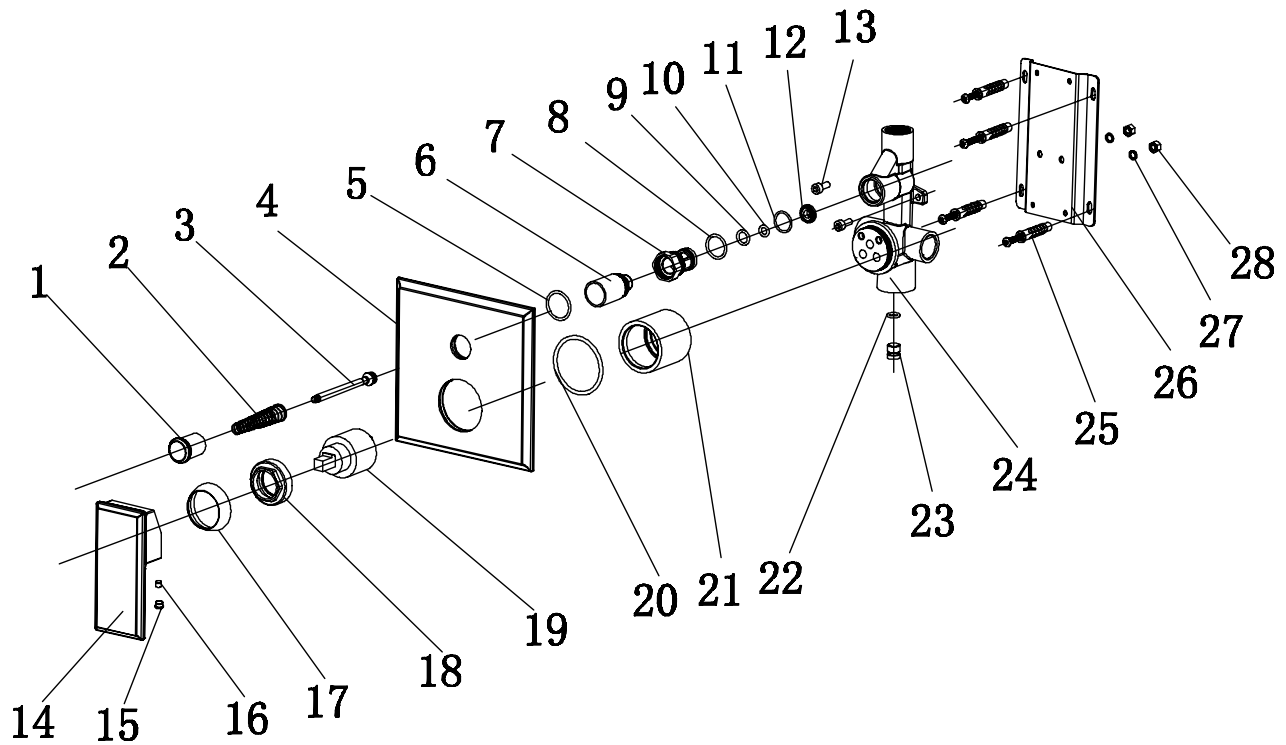


## SHOWER HEAD INSTALLATION

1. Apply plumber's tape to the threads on both ends of the shower arm and slide on the decorative escutcheon.
2. Insert the new arm into the fitting in the ceiling and twist to tighten. Finish tightening with your adjustable wrench. Wrap a dry cloth around the shower arm to protect the finish while tightening with adjustable wrench.
3. Thread the new shower head onto the arm and hand-tighten. Hold the shower arm in place with groove joint pliers and finish tightening the shower head with your adjustable wrench. Wrap both in a dry cloth to protect the finish.
4. Before securing the decorative escutcheon, turn on the water supply to make sure that all connections are tight and there is no leaking. If no leaks are detected, continue with the installation. If leakage does occur, use your adjustable wrench to tighten the connections as necessary. If problems persist, contact Customer Service at 1-866-855-2284.
5. Apply a bead of silicone sealant to the back of the escutcheon and press firmly into place against the installation surface. Wipe away any excess sealant with your damp cloth.



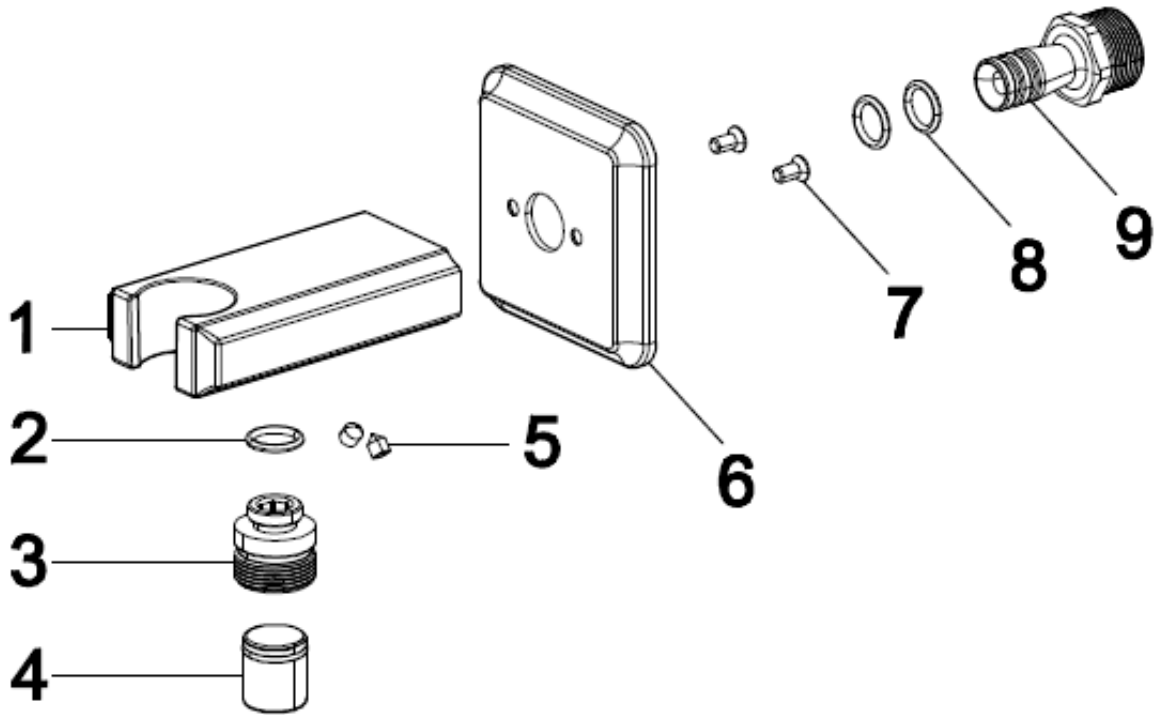
**SHOWER VALVE EXPLODED VIEW:**



1	SD15620000100	15	SD10101000200
2	SD1012000200	16	M0105004
3	SD1012000300	17	SD10117001000
4	SD15620000400	18	SD10117001100
5	OXQ25020	19	FX0402
6	SD10120000500	20	OXQ50030
7	SD1012000600	21	SD10117000600
8	OXQ21020	22	OXQ11018
9	OXQ13020	23	SD10120001000
10	OXQ10020	24	SD10120000800-1
11	OXQ18015	25	M0805032
12	SD10120000700	26	SD1012000100
13	M0305012	27	SD10190001100
14	SD15617000100	28	M1105005



**HAND SHOWER VALVE EXPLODED VIEW:**



1	SD80100100
2	OXQ1502
3	SD80110300
4	SD60110400
5	M020506
6	SD80100600
7	M050408
8	OXQ1402
9	SD80110800