



RYLE DUAL WALL MOUNT RAINFALL SHOWER SYSTEM WITH HAND SHOWER

INSTALLATION INSTRUCTIONS

Before you begin, read the installation instructions below. Observe all local building and safety codes.

Unpack and inspect the product for any shipping damages. If you find damages, do not install. Contact Customer Service at 1.866.855.2284. If you need assistance or have questions while installing your diverter valve, contact Customer Service.

We recommend consulting a professional if you are unfamiliar with installing bathroom fixtures, and plumbing. Signature Hardware accepts no liability for any damage to the plumbing or wall, or for personal injury during installation.

TOOLS AND MATERIALS:

Screwdriver

Teflon Tape

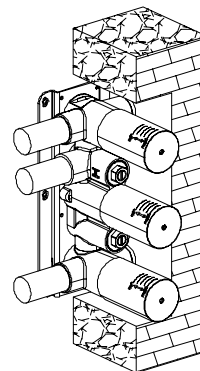
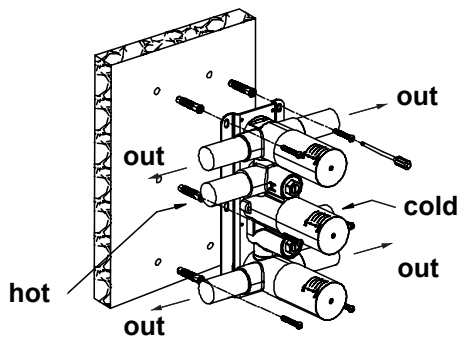
Adjustable Wrench

Smooth Joint Pliers

Soft Cloth

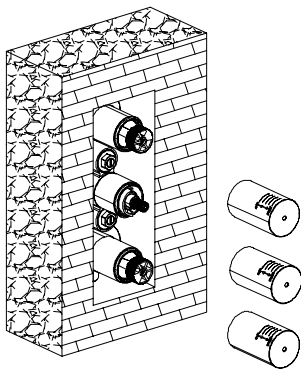
Silicone Sealant

SHOWER VALVE INSTALLATION

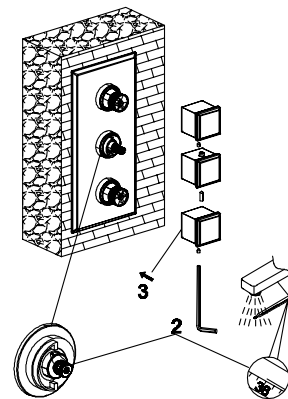


1. Install the valve body. Wrap the threaded portion of the joints in Teflon tape and connect the water inlet and outlet.

2. Put the protective covers on the valve body and finish the shower wall.



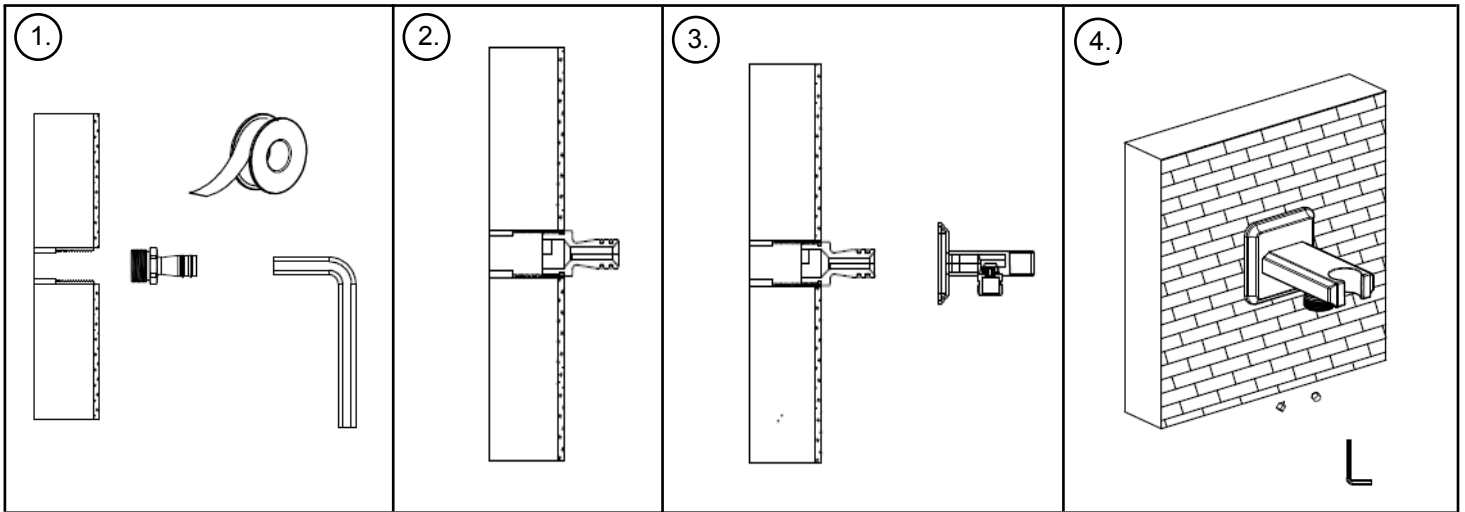
3. When the finished wall is complete, remove the protective covers.



4. Install the escutcheon, and handle. Tighten the set screw with an Allen wrench to secure.



HAND SHOWER VALVE INSTALLATION



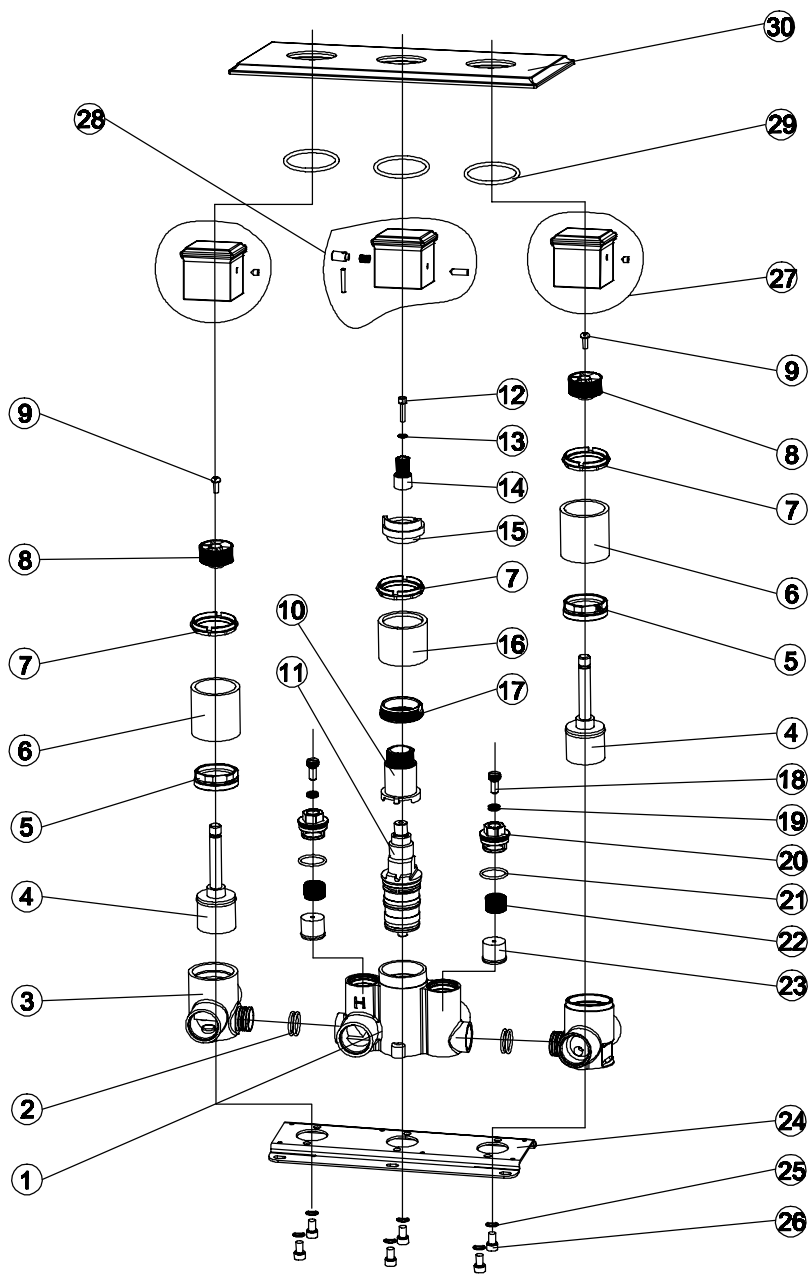
SHOWER HEAD INSTALLATION

1. Apply plumber's tape to the threads on both ends of the shower arm and slide on the decorative escutcheon.
2. Insert the new arm into the fitting in the wall and twist to tighten. Finish tightening with your adjustable wrench. Wrap a dry cloth around the shower arm to protect the finish while tightening with adjustable wrench.
3. Thread the new shower head onto the arm and hand-tighten. Hold the shower arm in place with groove joint pliers and finish tightening the shower head with your adjustable wrench. Wrap both in a dry cloth to protect the finish.
4. Before securing the decorative escutcheon to the wall, turn on the water supply to make sure that all connections are tight and there is no leaking. If no leaks are detected, continue with the installation. If leakage does occur, use your adjustable wrench to tighten the connections as necessary. If problems persist, contact Customer Service at 1-866-855-2284.
5. Apply a bead of silicone sealant to the back of the escutcheon and press firmly into place against the installation surface. Wipe away any excess sealant with your damp cloth.



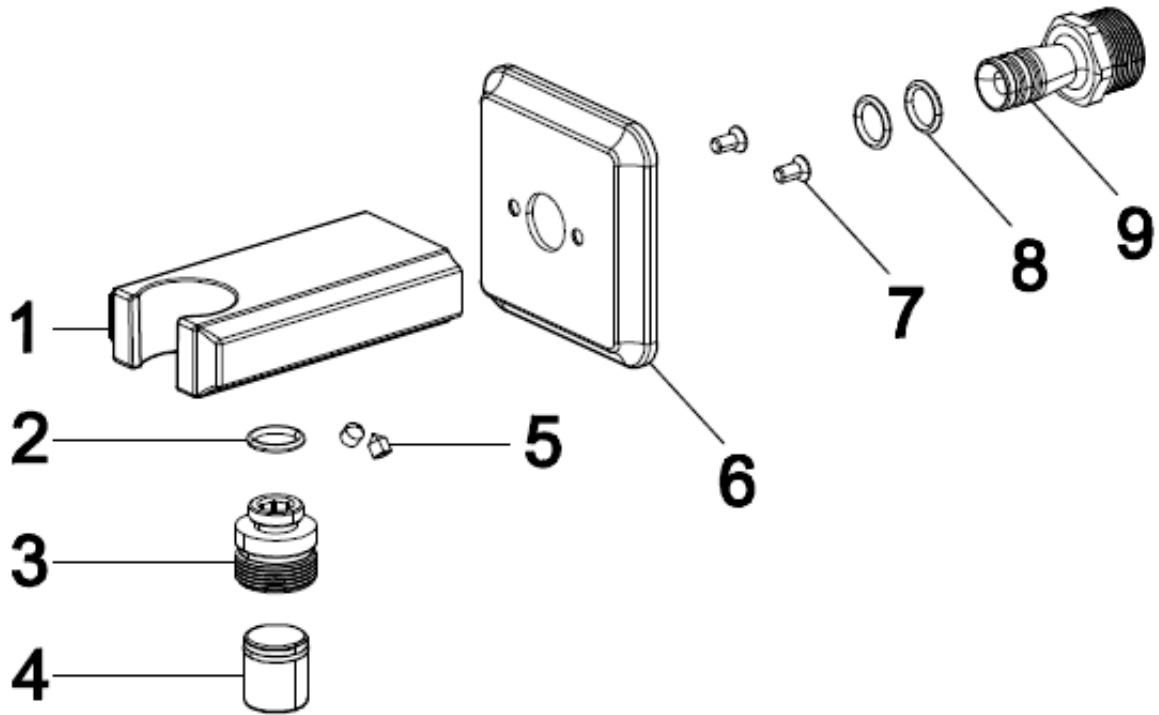
SHOWER VALVE EXPLODED VIEW:

1	DS12525000100
2	OXQ21020
3	SD12525070300
4	FX0710
5	SD12825101000
6	SD12525010600
7	SD12525000700
8	SD10110000200
9	M0404012
10	SD12525000900
11	FX0840
12	M0304018
13	M1204064
14	SD12525001300
15	SD12525001400
16	SD12525001500
17	SD12525001600
18	SD12525001700
19	OXQ10010
20	SD12525001900
21	OXQ24020
22	SD12525002100
23	SD12525002200
24	SD12525032400
25	M1206097
26	M0306010
27	H156-2500D
28	H156-2500T
29	OXQ48030
30	SD15625033000





HAND SHOWER VALVE EXPLODED VIEW:



1	SD80100100
2	OXQ1502
3	SD80110300
4	SD60110400
5	M020506
6	SD80100600
7	M050408
8	OXQ1402
9	SD80110800