

30" GRIGHAM FIRECLAY FARMHOUSE SINK - GLOSS BLACK

SKU: 934794-30
Code: SH485266



FEATURES

Product Finish: Gloss Black
Length: 30"
Width: 18-1/2"
Height: 9-7/8"
Sink Shape: Rectangle
Number of Basins: 1
Sink Installation: Farmhouse
Product Color: Black
Faucet Centers: No Faucet Hole
Overflow Hole: No
Basin Length: 27"
Basin Width: 15-1/2"
Basin Depth: 9"
Rim Thickness: 1-1/2"
Fits Drain Hole Size: 3-1/2"
Exterior Treatment: Smooth
Interior Treatment: Smooth
Drain Included: No
Faucet Included: No
Sink Material: Fireclay
Basin Configuration: Single Bowl
Apron Design: Curved
Faucet Holes: No Faucet Hole

ASME A112.19.2/CSA B45.1



REVISED 12/8/2023

30" GRIGHAM FIRECLAY FARMHOUSE SINK - GLOSS BLACK

SKU: 934794-30
Code: SH485266

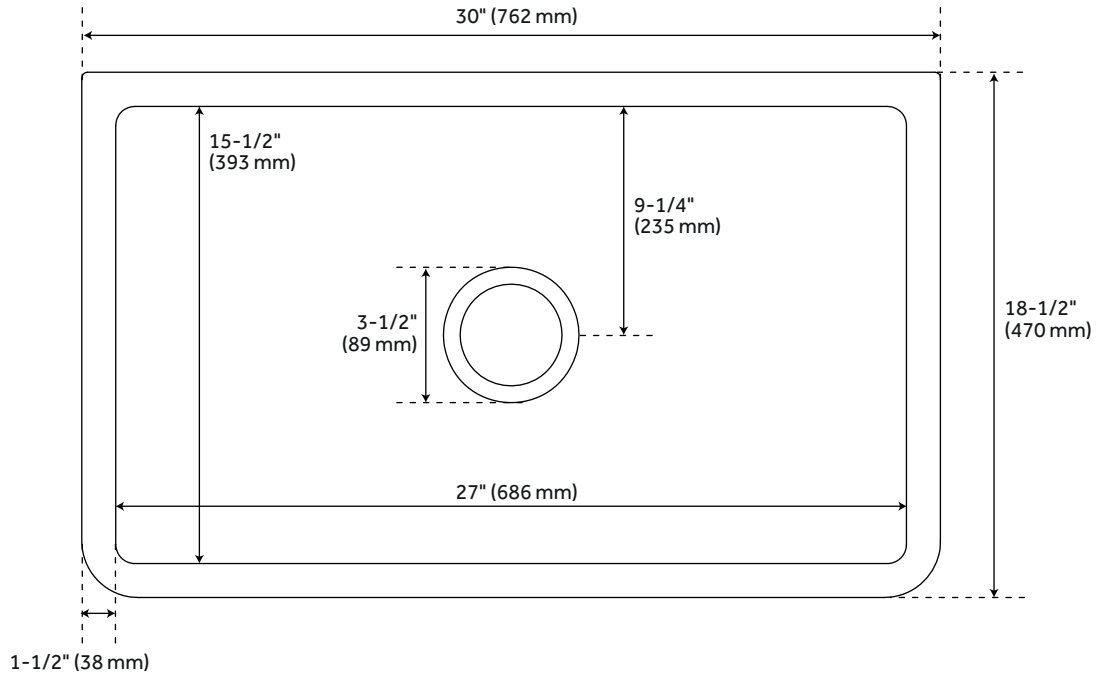


ADDITIONAL FEATURES

- Made of solid, heavy-duty fireclay.
- Smooth, ripple-resistant surface.
- If purchasing drain separately, it must be able to accommodate a sink drain thickness of 1".
- All sink dimensions are ($\pm 1/2$ ").

REVISED 12/8/2023

30" GRIGHAM FIRECLAY FARMHOUSE SINK - GLOSS BLACK



All dimensions and specifications are nominal and may vary. Use actual products for accuracy in critical situations.