

71" FRAYSER CAST IRON DOUBLE-SLIPPER PEDESTAL TUB - 7" RIM HOLES

SKU: 935146-RH

Code: SH423063, SH474821, SH474822, SH474823, SH474827



FEATURES

Design: Modern
Product Finish: White
Length: 71"
Width: 31-1/4"
Height: 27"
Water Depth To Overflow: 13-3/4"
Exterior Treatment: Smooth
Interior Treatment: White Porcelain Enamel
Faucet Included: No
Shape: Oval
Tub Overflow: Yes
Tub Material: Cast Iron
Tub Interior Length: 49"
Tub Interior Width: 18"
Tap Deck: Yes
Faucet Drillings: Tap Deck - 7" Rim Holes
Water Capacity (Gallons): 53
Tub Weight Uncrated (lbs): 580
Tub Weight Crated (lbs): 675

ASME A112.19.1/CSA B45.2



REVISED 6/21/2023

71" FRAYSER CAST IRON DOUBLE-SLIPPER PEDESTAL TUB - 7" RIM HOLES

SKU: 946214-RH

Code: SH423063, SH474821, SH474822, SH474823, SH474827

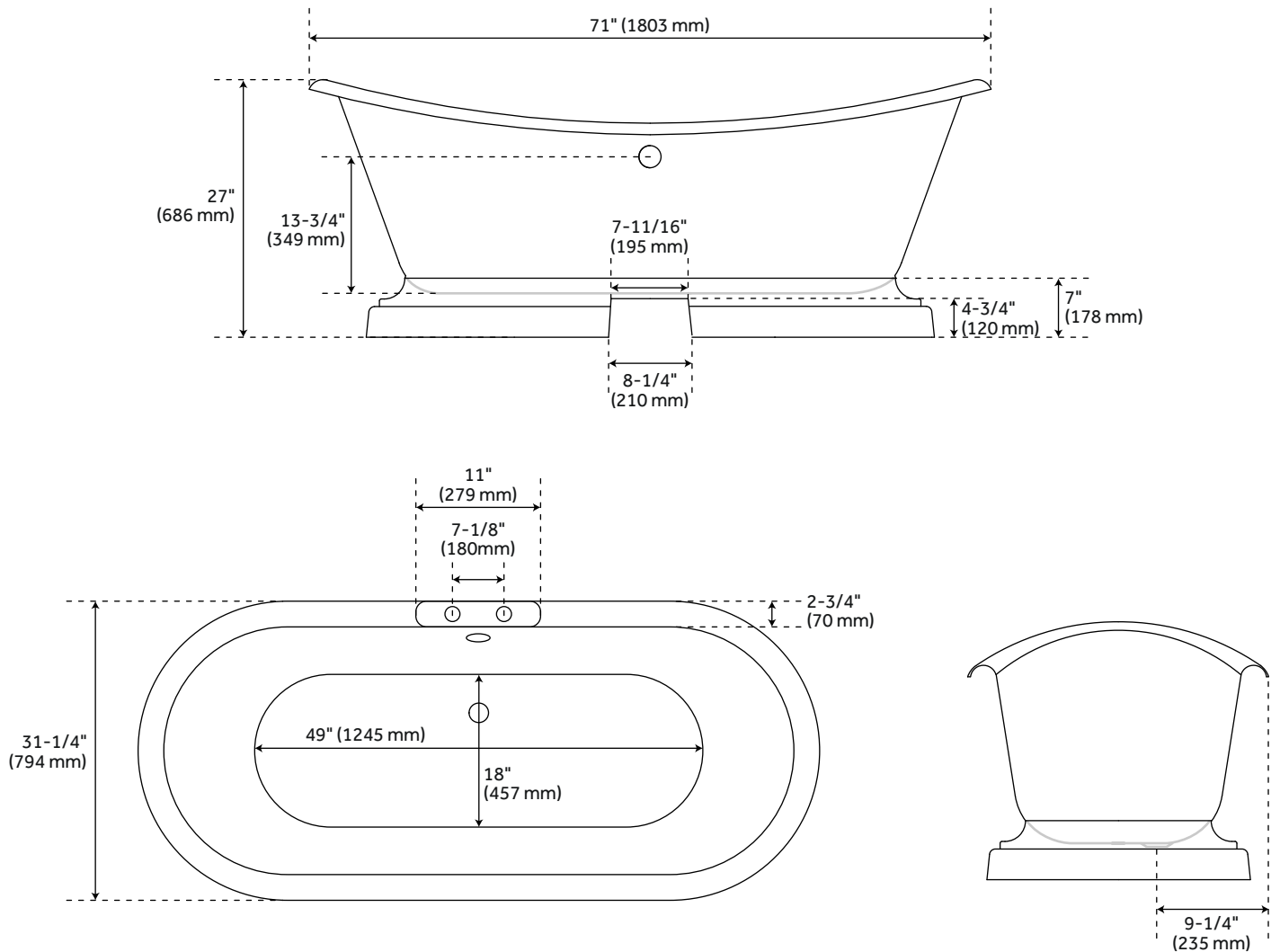


ADDITIONAL FEATURES

- Overflow Drain will include: Extended Pop-Up Drain with Swivel Head, a Daisy Wheel overflow, which remain open to allow water into the drain.
- Optional Quick Connect Drop-In Drain Kit Includes:
 - Floor Plate, 1-1/2" PVC Pipe, 2" x 1-1/2" Trap Adapters, 1 Brass Threaded, 1 Brass Unthreaded Tailpiece and Plug.
 - Installs above your subfloor, but underneath your cement floor or tile, so you do not need access below the fixture.

REVISED 6/21/2023

71" FRAYSER CAST IRON DOUBLE-SLIPPER PEDESTAL TUB - 7" RIM HOLES



All dimensions and specifications are nominal and may vary. Use actual products for accuracy in critical situations.