

CONTEMPORARY CROSS HANDLES

SKU: 936478

Code: SH424556, SH424555, SH424557



FEATURES

Material: Brass
Length: 2-5/8"
Width: 2-5/8"
Height: 1-3/8"
Handle Type: Cross
Spline Count: 16
Kitchen Faucet Holes: 1
Hot and Cold Indicators: Yes

REVISED 3/17/2023

CONTEMPORARY CROSS HANDLES

SKU: 936478

Code: SH424556, SH424555, SH424557



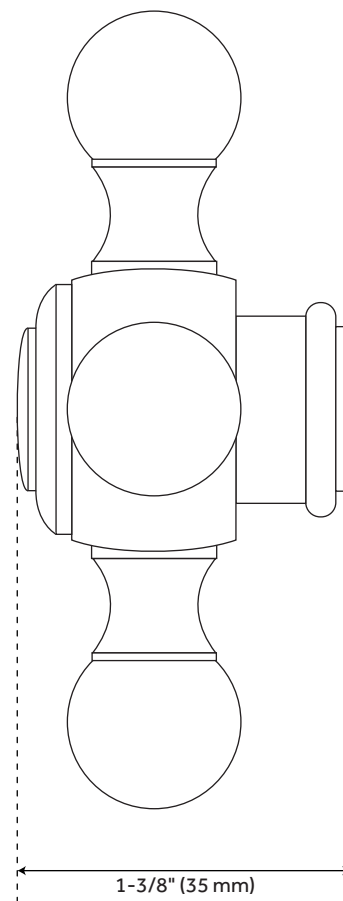
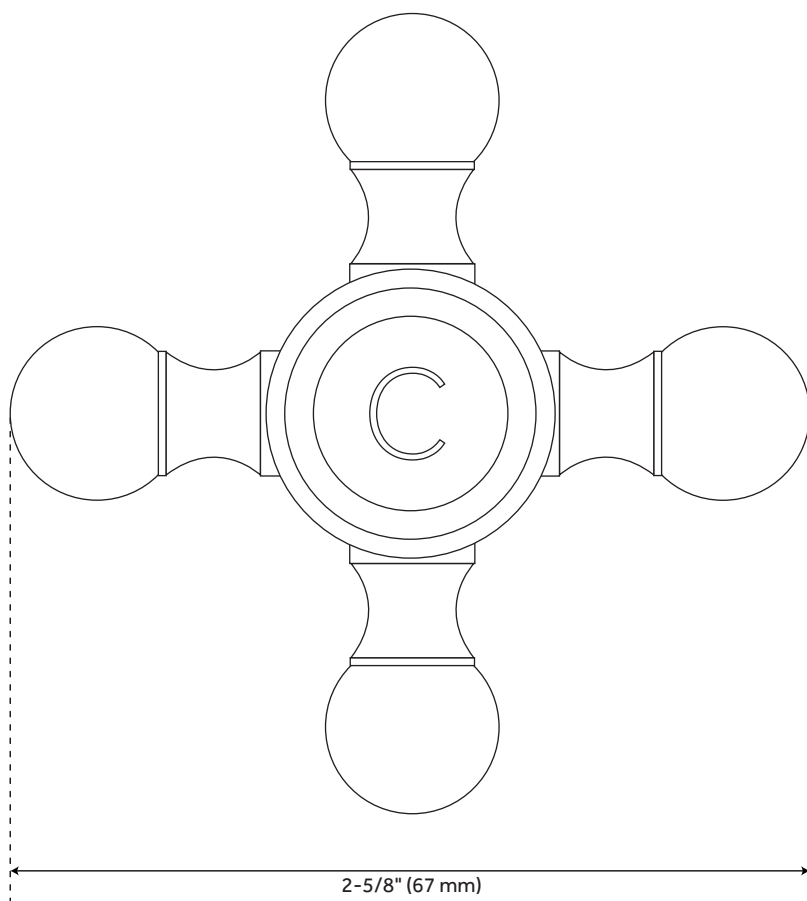
ADDITIONAL FEATURES

- Brass handles with porcelain inserts.
- Sold as a pair.
- Perfect for use as replacement handles.

REVISED 3/17/2023

CONTEMPORARY CROSS HANDLES

SKU: 936478



All dimensions and specifications are nominal and may vary. Use actual products for accuracy in critical situations.