

4-WAY THERMOSTATIC VALVE

SKU: 940104

Code: SH421521, SH421520, SH421519



FEATURES

Diverter Outlets: 4

Cartridge Type: Thermostatic

ASME A112.18.1/CSA B125.1, ASSE 1016 Type T, LISTED ID: 518650, 518651, 518652



ADDITIONAL FEATURES

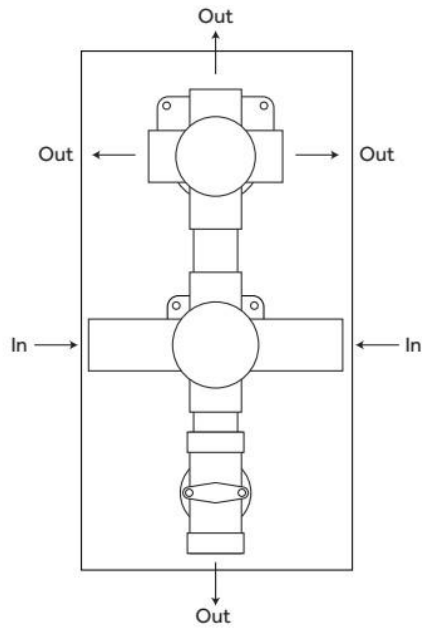
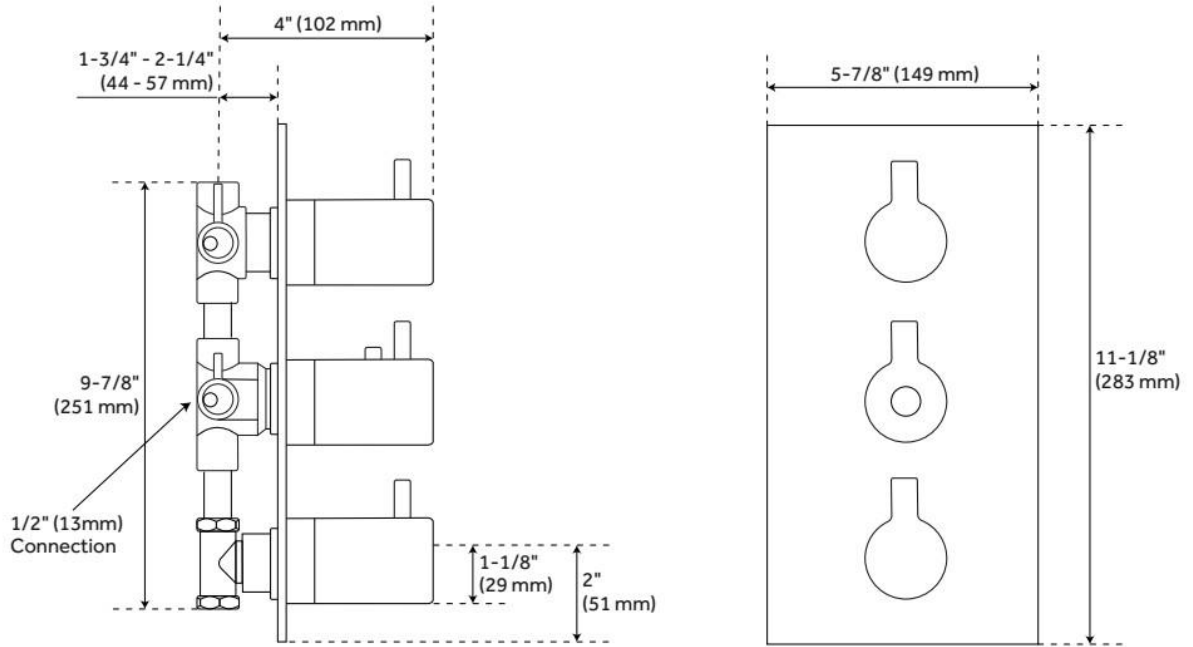
- Thermostatic technology keeps shower temperature ± 1 degree Celsius.
- The valve included with this system can be arranged to run two spray functions simultaneously.

REVISED 6/5/2024

4-WAY THERMOSTATIC VALVE

SKU: 940104

Code: SH421521, SH421520, SH421519



REVISED 6/5/2024